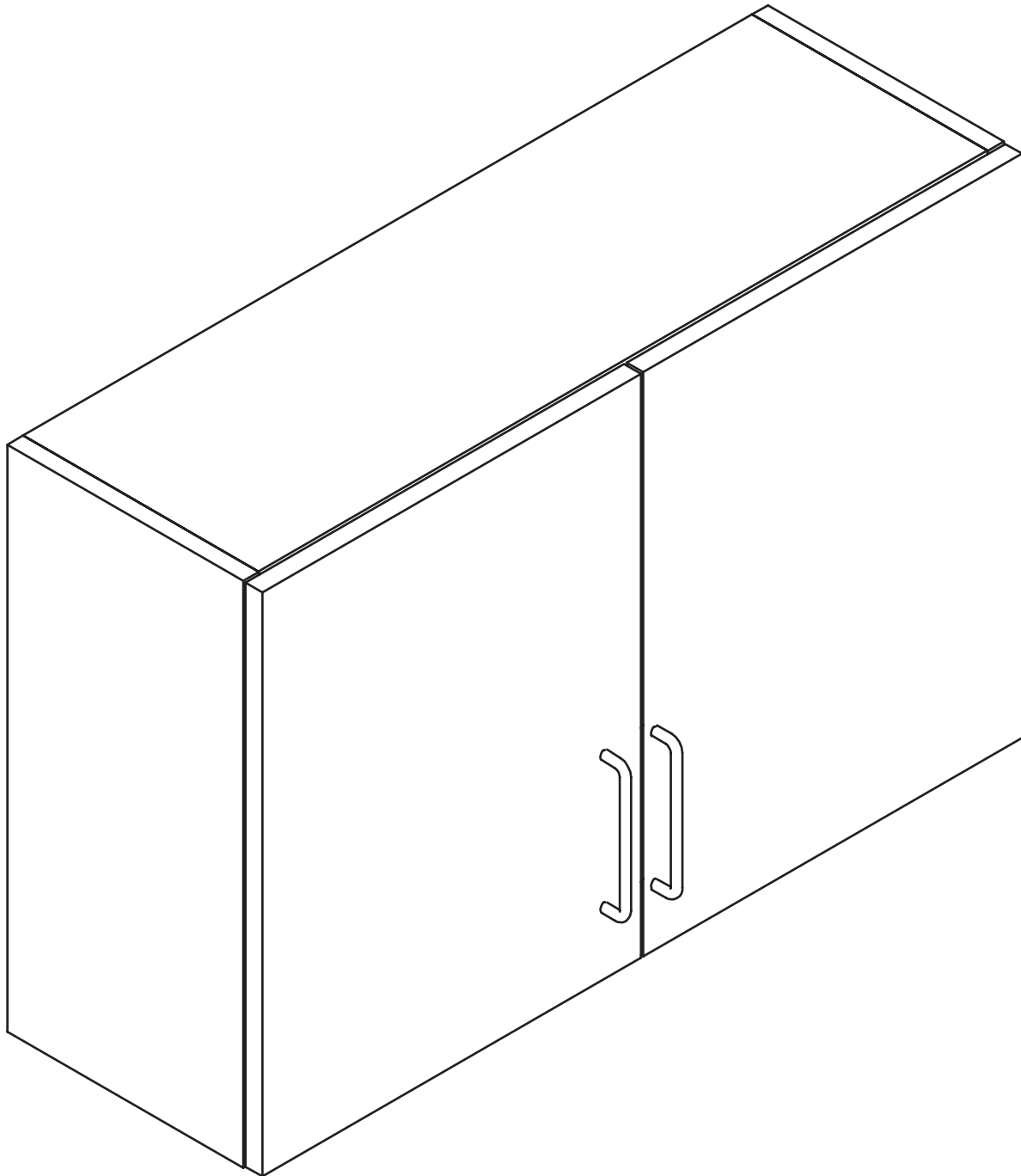


.....

48 INCH WALL CABINET

.....



ADIME902-WALL-48-GRY

USER GUIDE



Thank you for your purchase.

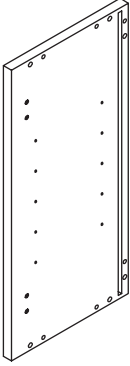
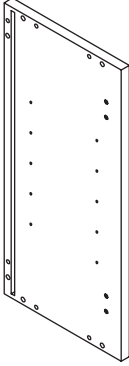
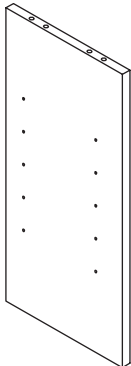
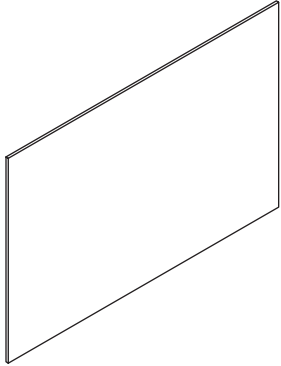
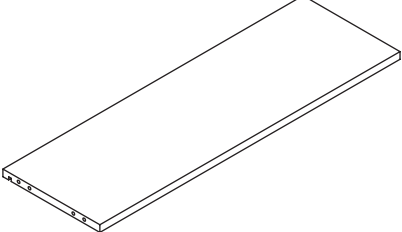
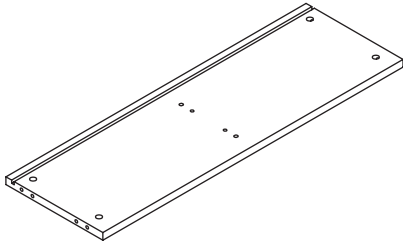
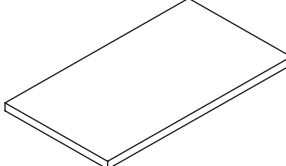
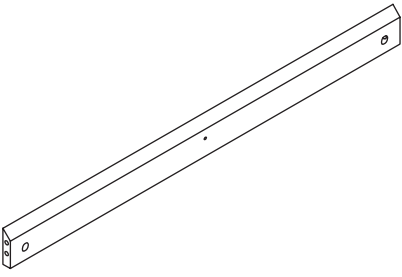
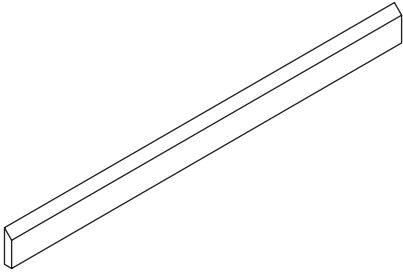
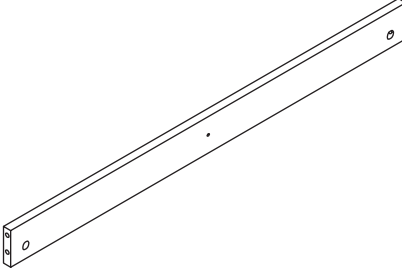
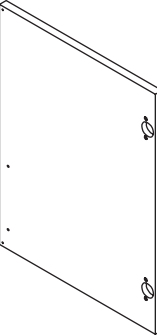
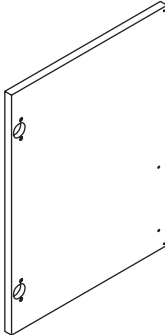
**Viva by AdirMed maintains
a strong practice of ongoing
development of products and
commercial research.**

**We recognize that starting and maintaining a medical practice is
expensive. We'll help make the process cost-effective and elegant.
Additionally, our team of specialists will ensure everything you
need works as efficiently as possible, so you can effectively treat
your clients.**

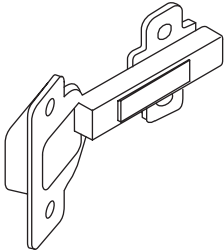
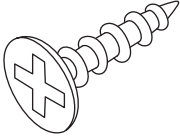
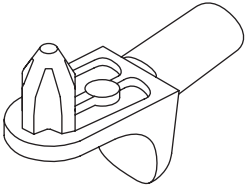
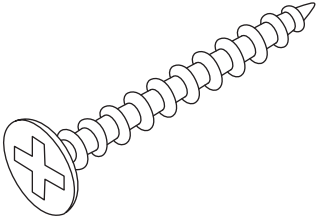
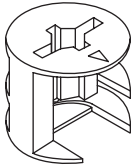
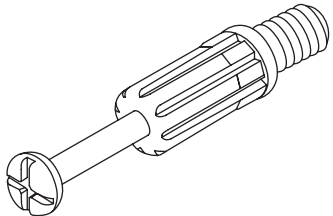
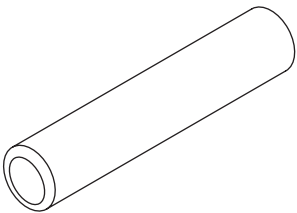
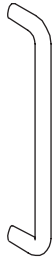
Table of Contents

- 2** Parts
- 3** Hardware
- 4** Assembling Your Wall Cabinet
- 11** Hanging Your Wall Cabinet
- 17** Warranty

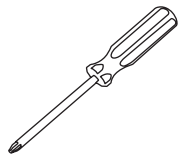
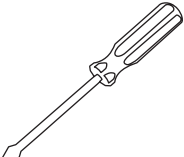
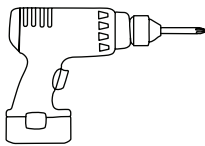
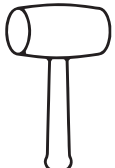
Parts

A  <p>Left Panel</p>	B  <p>Right Panel</p>	C  <p>Middle Panel</p>
D  <p>Back Panel</p>	E  <p>Top Panel</p>	F  <p>Bottom Panel</p>
G  <p>Removable Shelf (x2)</p>	H  <p>Top Back Rail</p>	I  <p>Center Back Rail</p>
J  <p>Bottom Back Rail</p>	K  <p>Left Door</p>	L  <p>Right Door</p>

Hardware

<p>1</p>  <p>Hinge (x4)</p>	<p>2</p>  <p>Ø4x15 mm Wooden Screw (x24)</p>	<p>3</p>  <p>Shelf Support (x8)</p>
<p>4</p>  <p>Ø4x30 mm Wooden Screw (x2)</p>	<p>5</p>  <p>Cam Lock (x16)</p>	<p>6</p>  <p>Cam Lock Bolt (x16)</p>
<p>7</p>  <p>Wooden Dowel (x24)</p>	<p>8</p>  <p>Handle (x2)</p>	<p>Hardware Specifications:</p> <ul style="list-style-type: none"> • Ø4x15 mm Wooden Screw (x24) • Ø4x30 mm Wooden Screw (x2) • Ø15*13 mm Cam Lock (x16) • Ø8*35 mm Cam Lock Bolt (x16) • Ø8x40 mm Wooden Dowel (x24)

Tools Needed (But Not Included):

 <p>Phillips Head Screwdriver</p>	 <p>Flat Head Screwdriver</p>	 <p>Electric Screwdriver</p>	 <p>Rubber Mallet</p>
--	--	--	--

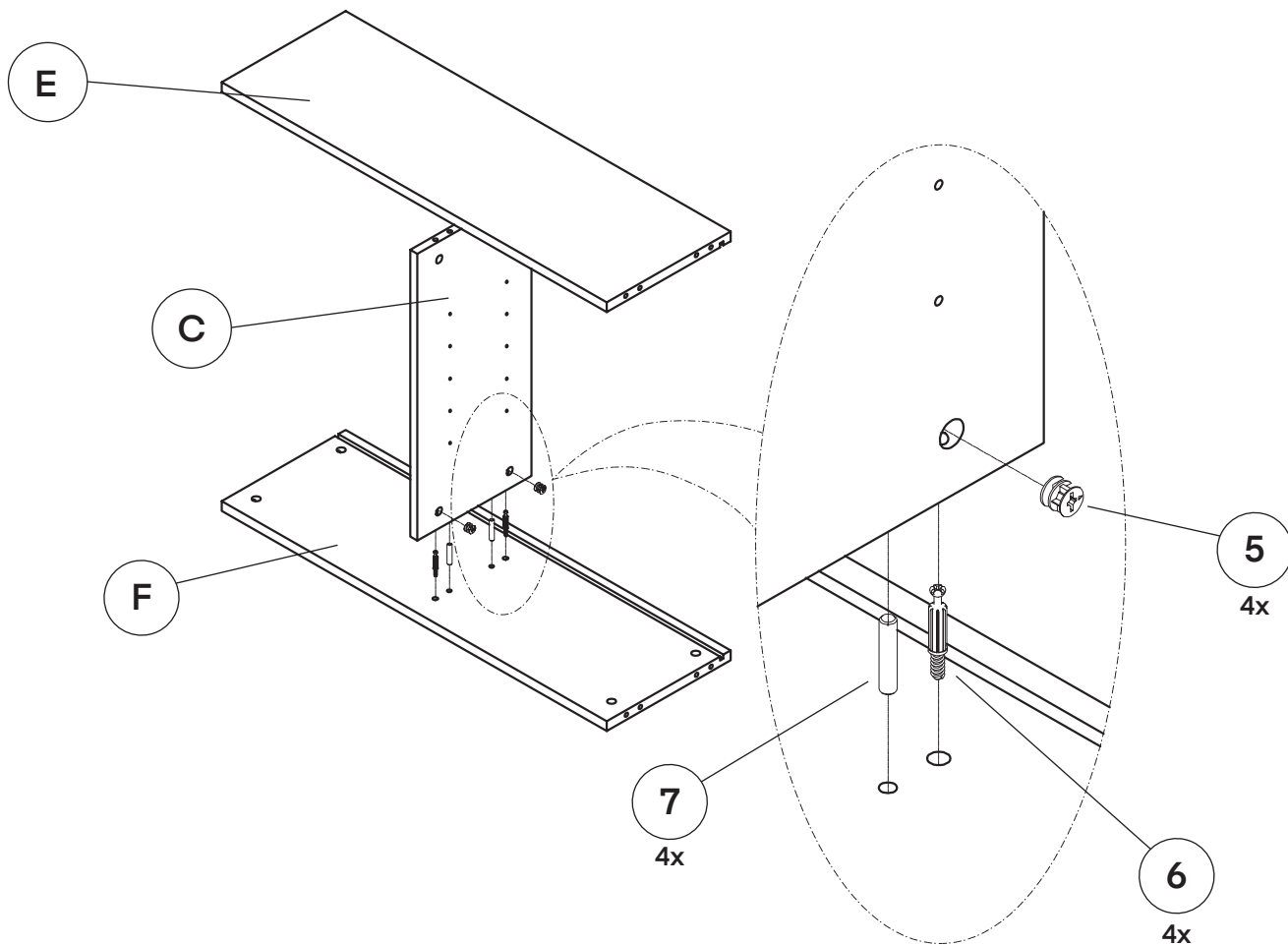
Assembling Your Wall Cabinet

NOTE:

Before starting, ensure you have an open, clean area to assemble your cabinet. Ensure you have all the necessary parts and hardware listed above. We highly recommend hiring a professional contractor to assemble and install your cabinet(s).

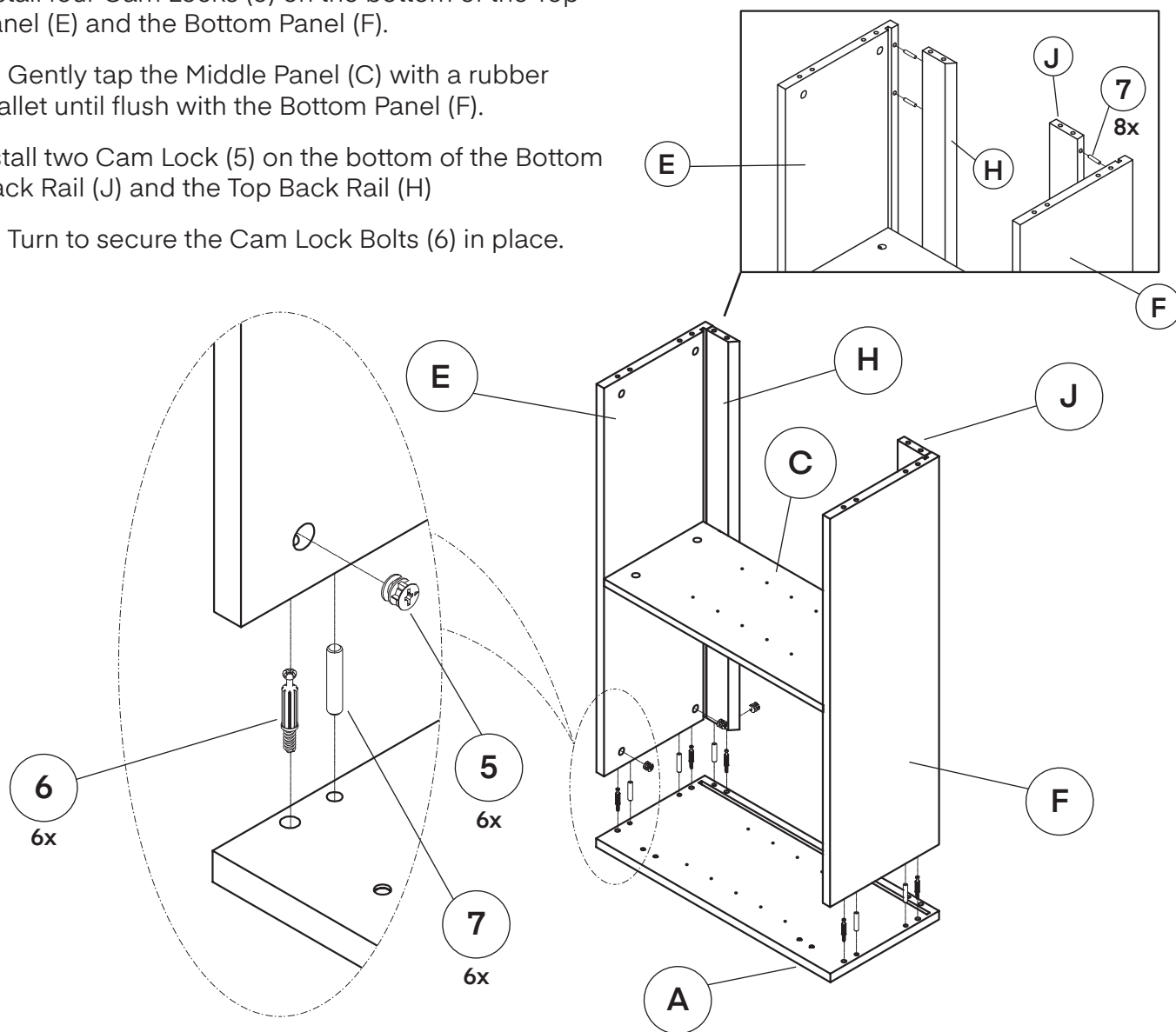
Step 1:

- A.** Before beginning, ensure you have all the parts and hardware listed above for your wall cabinet.
- B.** Locate and lay your Bottom Panel (F) on a flat surface.
- C.** Locate the Middle Panel (C), the Top Panel (E), two Wooden Dowels (7), and two Cam Lock Bolts (6).
- D.** Insert two Wooden Dowels (7), and two Cam Lock Bolts (6) into the four middle predrilled holes on the Bottom Panel (F).
 - a.** Use a rubber mallet to tap the dowels into place gently.
 - b.** Use a Philips head screwdriver to secure the Cam Lock Bolts (6).
- E.** Repeat the above steps for the Top Panel (E).
- F.** Take the Middle Panel (C) and affix the shorter edge to the Bottom Panel (F).
 - a.** Gently tap the Middle Panel (C) with a rubber mallet until flush with the Bottom Panel (F).
- G.** Line up the hardware installed on the Top Panel (E) with the other edge of the Middle Panel (C).
 - a.** Ensure the etched channel on the Top Panel (E) mirrors the etched channel on Bottom Panel (F).
 - b.** Gently tap it until the Middle Panel (C) and the Top Panel (E) are flush. .
- H.** Install four Cam Locks (5) in the Middle Panel (C), two per side, and turn to secure the Cam Lock Bolts (6) in place.



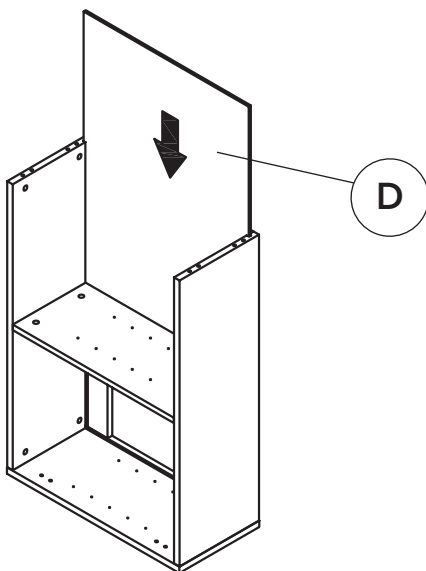
Step 2:

- A.** Turn your structure to rest on the Top Panel (E) and Bottom Panel (F) edges.
- On both panels, two predrilled holes are at the etched channels' top and bottom.
 - Gently tap eight Wooden Dowels (7) into both panels.
 - Locate the Top Back Rail (H) and the Bottom Back Rail (J).
 - Attach the Top Back Rail (H) to the Wooden Dowels (7) you installed into the Top Panel (E).
 - Attach the Bottom Back Rail (J) to the Wooden Dowels (7) you installed into the Bottom Panel (F).
 - Tap the Bottom Back Rail (J) and Top Back Rail (H) with a rubber mallet until flush.
- B.** Lay the Left Panel (A) on a flat, clean surface.
- C.** Install six Wooden Dowels (7) and six Cam Lock Bolts (6) into three of the edges on the Left Panel (A), as shown.
- D.** Once the hardware is secure, attach your structure and push it down until it is flush with the Left Panel (A).
- E.** Install four Cam Locks (5) on the bottom of the Top Panel (E) and the Bottom Panel (F).
- Gently tap the Middle Panel (C) with a rubber mallet until flush with the Bottom Panel (F).
- F.** Install two Cam Lock (5) on the bottom of the Bottom Back Rail (J) and the Top Back Rail (H)
- Turn to secure the Cam Lock Bolts (6) in place.



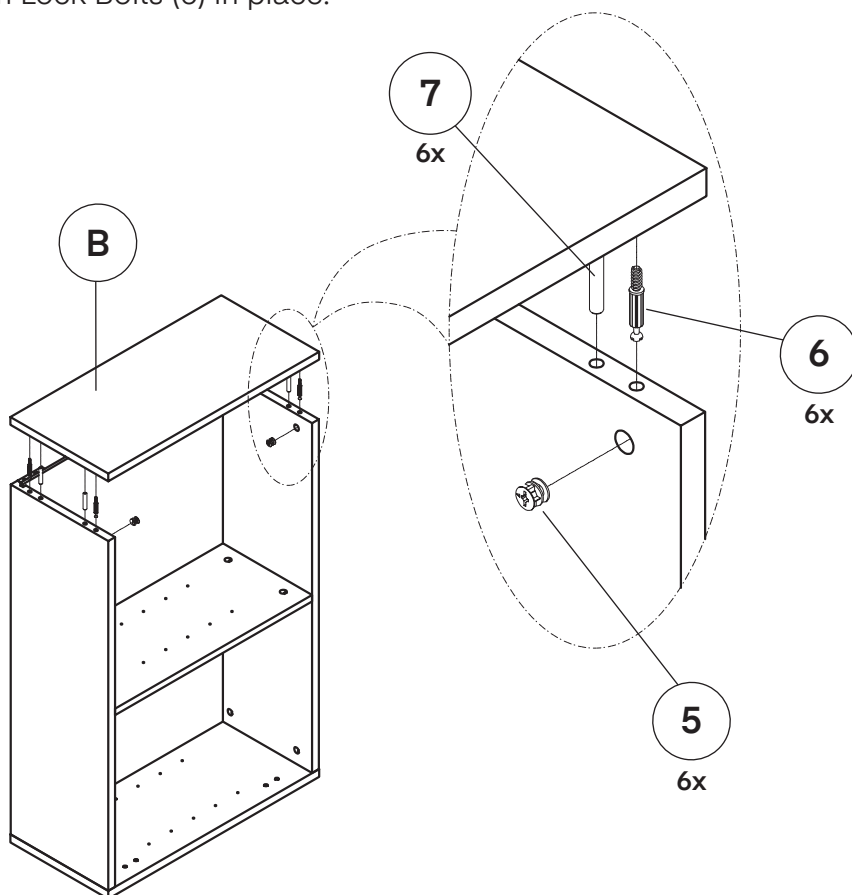
Step 3:

- A. Locate the Back Panel (D) and slide it between the etched channels on both the Top Panel (E) and the Bottom Panel (F), as pictured.



Step 4:

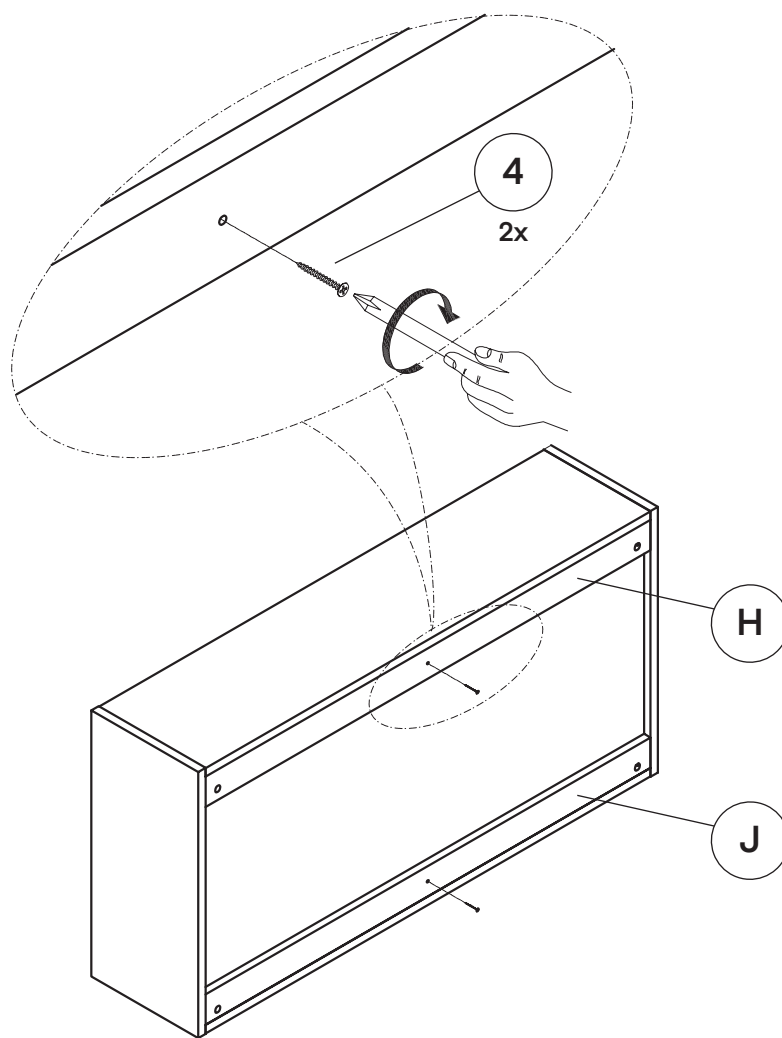
- A. Take the Right Panel (B), and lay it on a flat, clean surface with the predrilled holes facing up.
- B. Along three of the edges on the Right Panel (B), install six Cam Lock Bolts (6) and six Wooden Dowels (7).
- C. Lift the Right Panel (B) and line the installed hardware up with the predrilled holes on the Top Panel (E), Back Panel (D), Top Back Rail (H), and Bottom Back Rail (J).
- D. Insert the hardware and push the Right Panel (B) down until it is flush with the rest of the structure.
- E. Install six Cam Locks (5) on the Top Panel (E), Back Panel (D), Top Back Rail (H), and Bottom Back Rail (J).
- a. Turn to secure the Cam Lock Bolts (6) in place.



Step 5:

A. Take one $\text{Ø}4 \times 30$ mm Wooden Screw (4) and secure it to the middle of the Top Back Rail (H), as pictured.

B. Repeat the above step for the Bottom Back Rail (J), as shown.



Step 6:

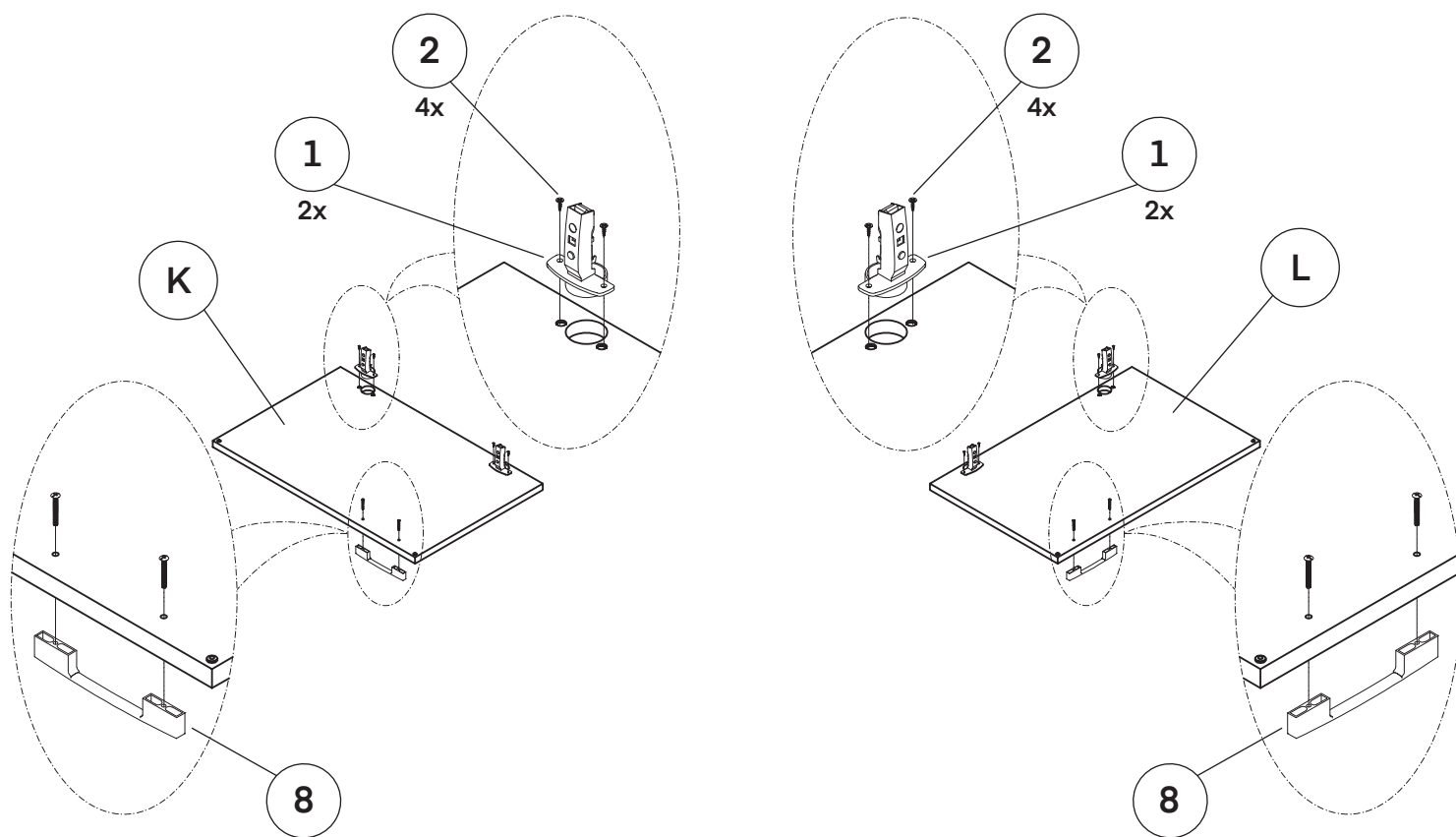
A. Locate the Hinges (1), Ø4x15 mm Wooden Screws (2), the Left Door (K), and the Right Door (L).

B. Adhere the Hinges (1) to the inside of the doors using two screws per Hinge (1), as pictured.

a. Eight screws total will be used between the two doors.

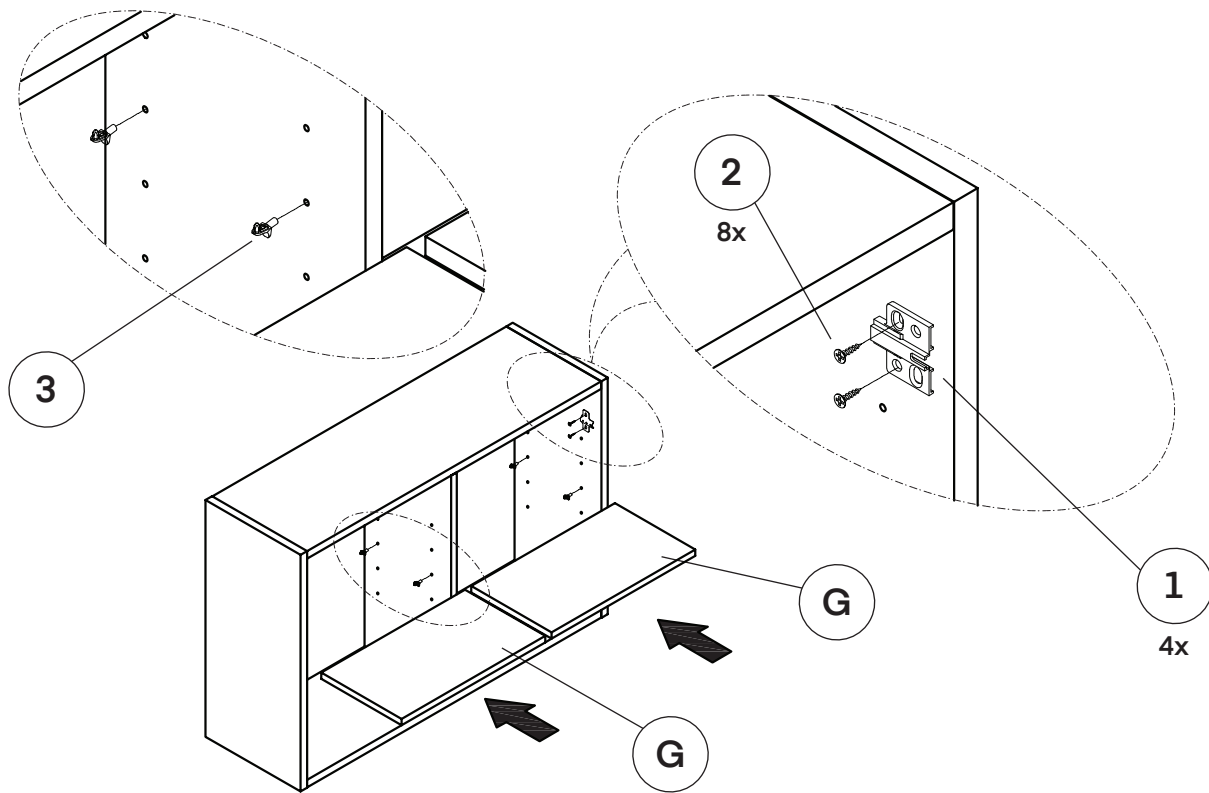
C. Take both Handles (8) and affix them to both doors with their accompanying screws, and thread them through the predrilled holes on the doors.

D. Secure them in place with a Philips head screwdriver.



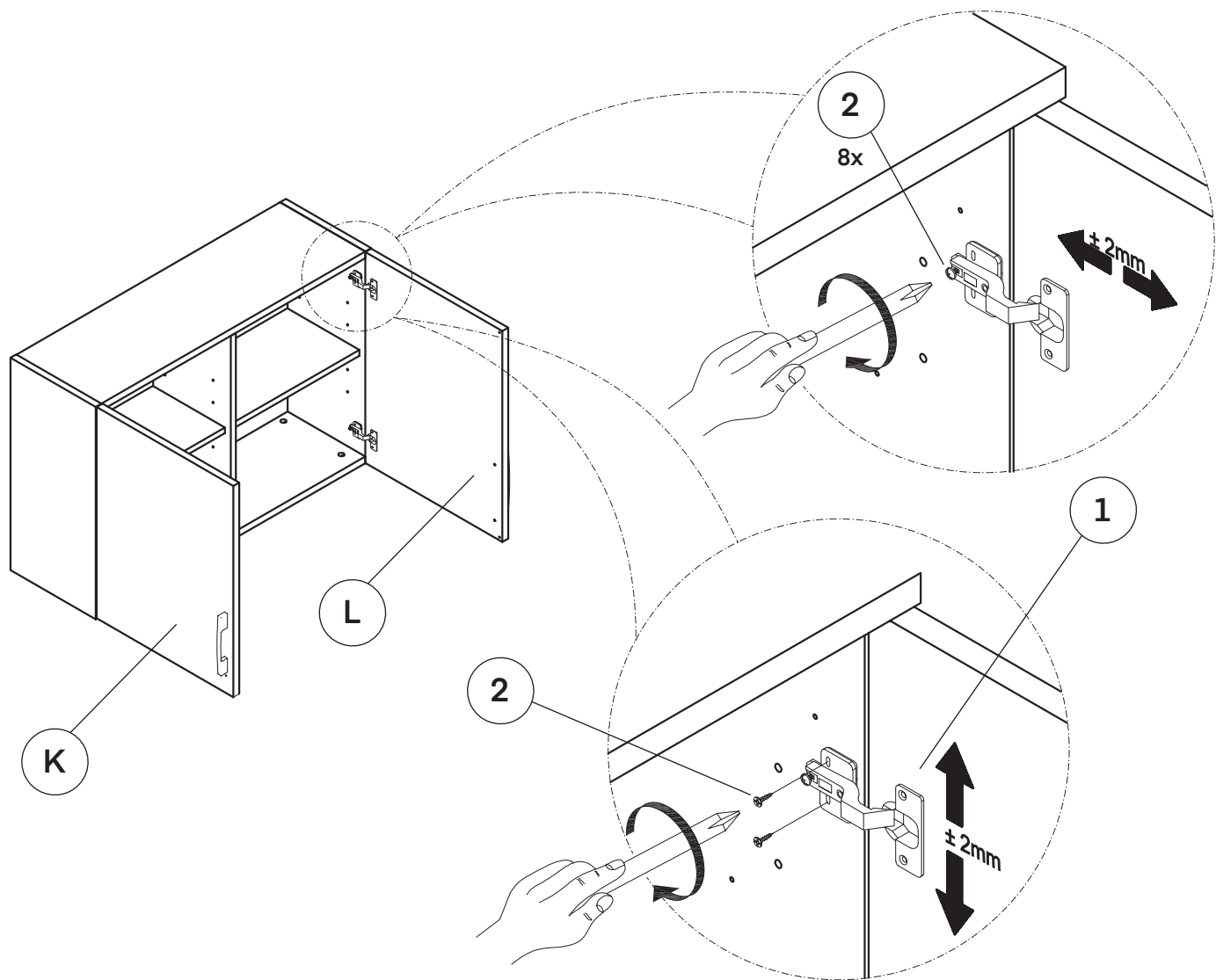
Step 7:

- A.** On the Left Panel (A) and the Right Panel (B), install the other side of the Hinges (1) with two $\text{\O}4 \times 15$ mm Wooden Screws (2) per Hinge (1), as pictured.
- B.** Insert eight Shelf Supports (3), as pictured, and at your desired height.
- C.** Insert both Removeable Shelves (G) as pictured, and ensure the pegs insert into the shelves.



Step 8:

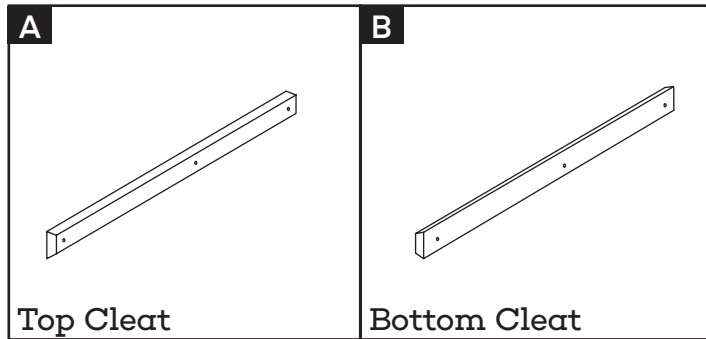
- A.** Connect the Hinges (1) as pictured and secure them together with one $\text{\O}4\times15$ mm Wooden Screws (2), per Hinge (1).
- a.** Four screws total will be used between the two doors.
- B.** If your doors do not line up, adjust the screws, as shown.



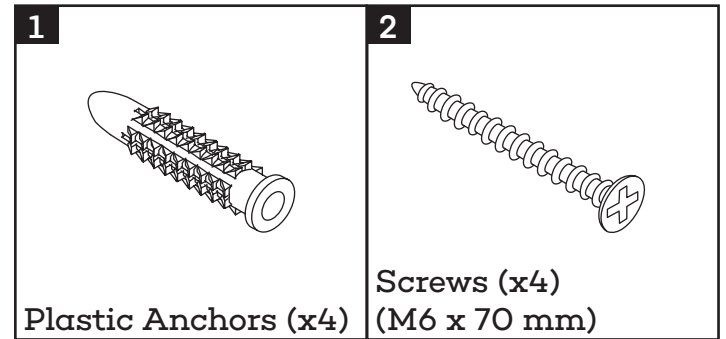
Hanging Your Wall Cabinet

Using The French Cleating System

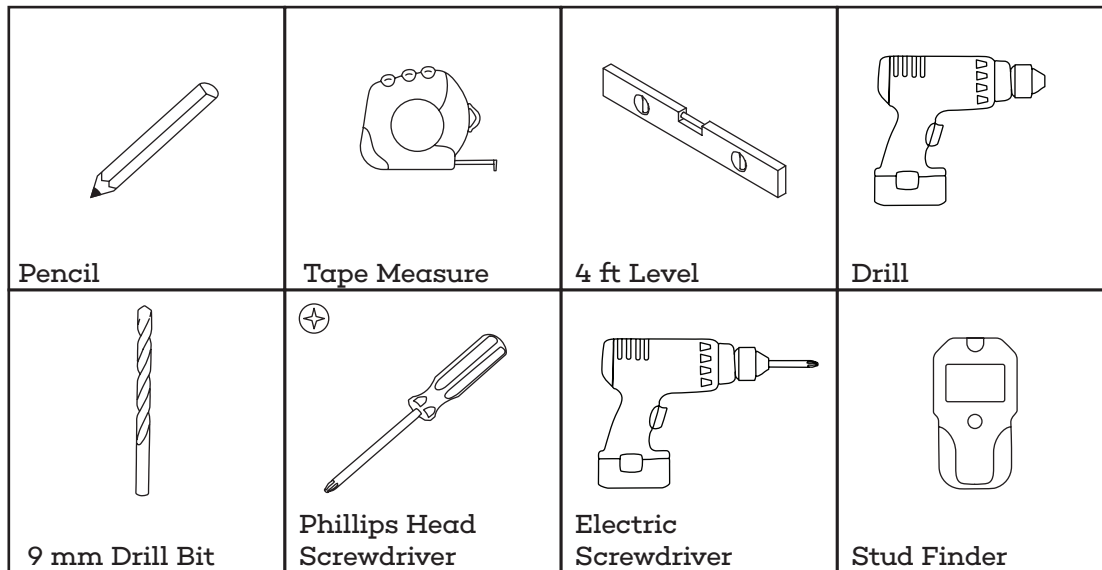
Parts:



Hardware:



Tools Needed (But Not Included):

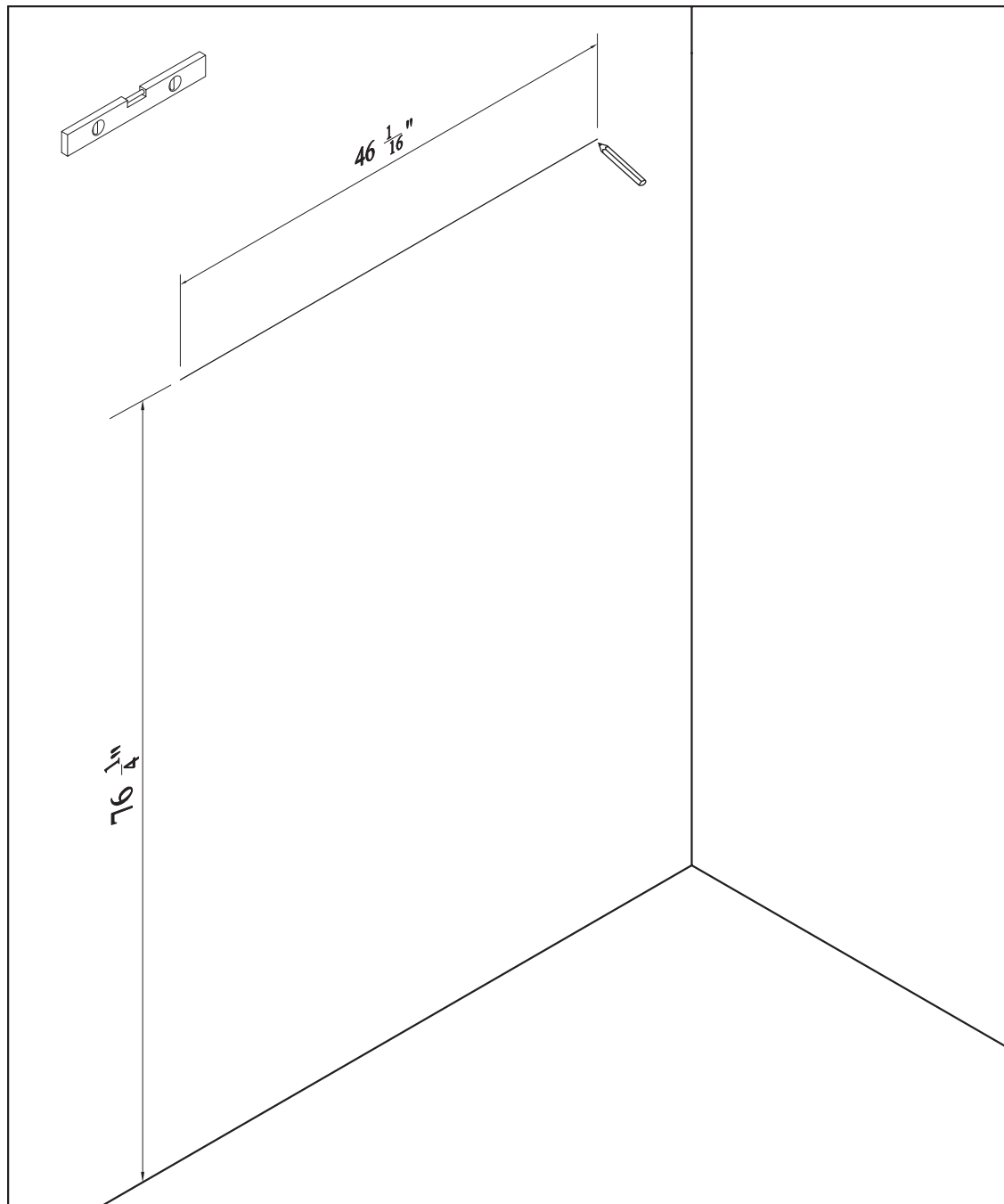


NOTE:

- Before beginning, locate where exactly you want the Wall Cabinet to be installed.
- You must find at least one stud to mount the French cleating system into.
- Make sure you have all the necessary tools listed above prior to beginning.
- We highly recommend using two people to ensure everything is level and properly installed.

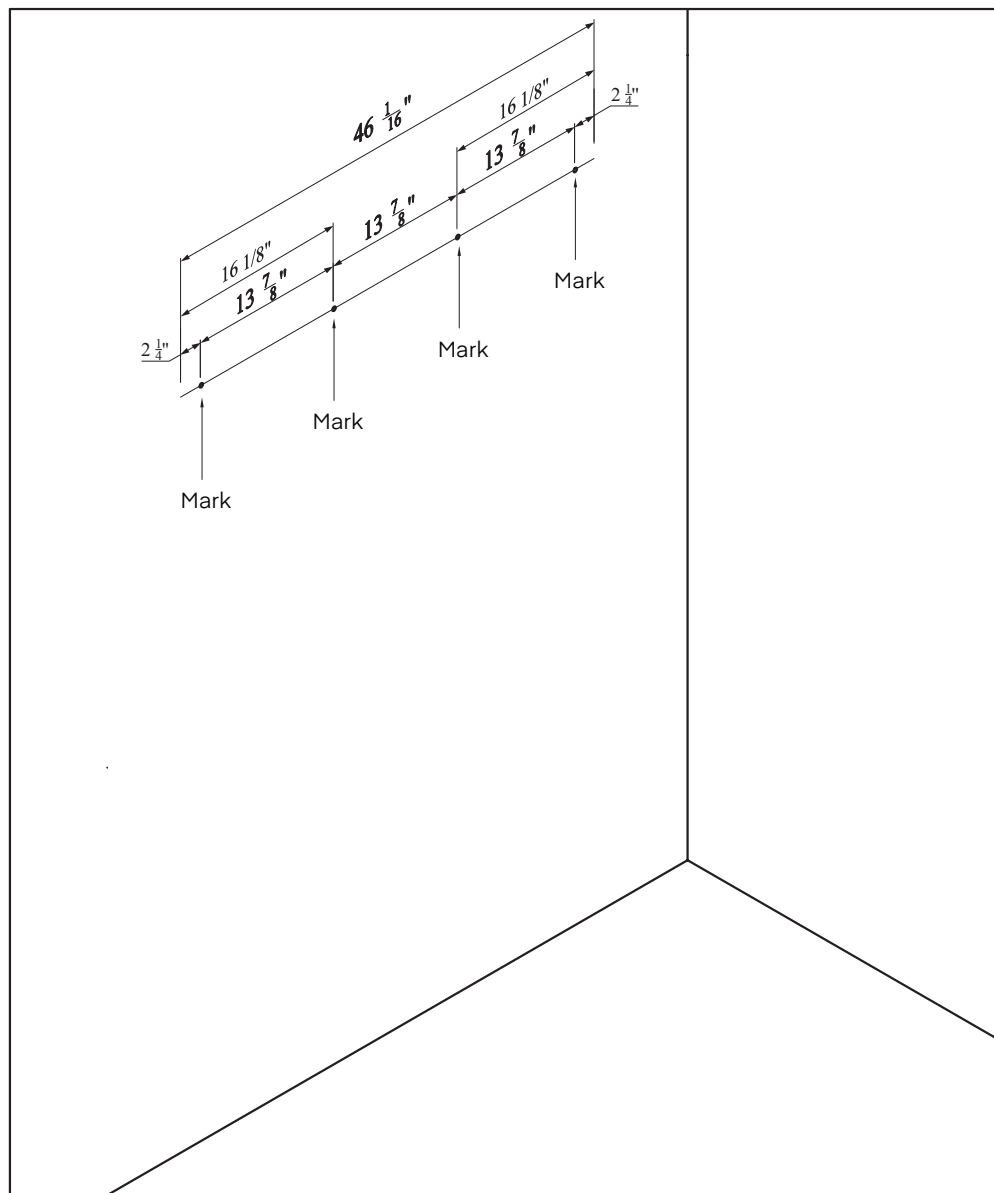
Step 1:

- A.** Using a stud finder, find at least one stud that a mounting screw will be secured in before beginning.
- B.** Taking your tape measure, measure from the ground up $76 \frac{1}{4}$ "
 - a.** Mark this measurement on the wall with a pencil.
 - b.** This is the height of your mounting holes.
- C.** Using the mark on the wall, take your 4-foot level, and measure out $46 \frac{1}{16}$ "
 - a.** Mark this line with a pencil going right to the left.



Step 2:

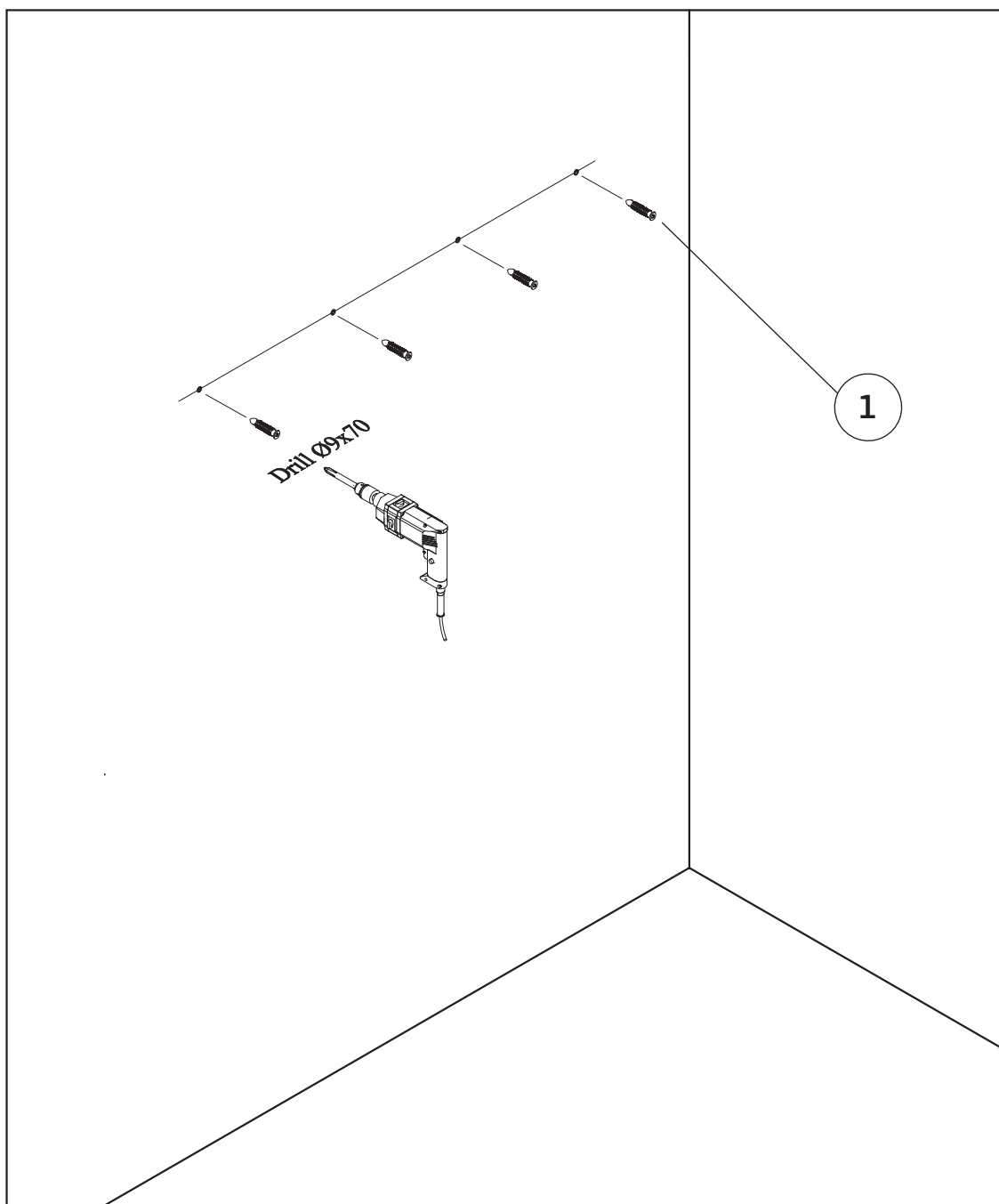
- A.** Take your tape measure, and starting from the left side of your line, measure from left to right $2\frac{1}{4}$ "
 - a.** Mark this measurement on the wall.
 - b.** This will be your left drill hole for Bottom Cleat (B).
- B.** Take your tape measure, and starting from the right side of your line, measure from right to left $2\frac{1}{4}$ "
 - a.** Mark this measurement on the wall.
 - b.** This will be your right drill hole for Bottom Cleat (B).
- C.** Using your tape measure, measure from right to left on your line, $16\frac{1}{8}$ "
 - a.** Mark this measurement on the wall.
 - b.** This will be your 1st central drill hole for Bottom Cleat (B).
- D.** Using your tape measure, measure from left to right on your line, $16\frac{1}{8}$ "
 - a.** Mark this measurement on the wall.
 - b.** This will be your 2nd central drill hole for Bottom Cleat (B).



Step 3:

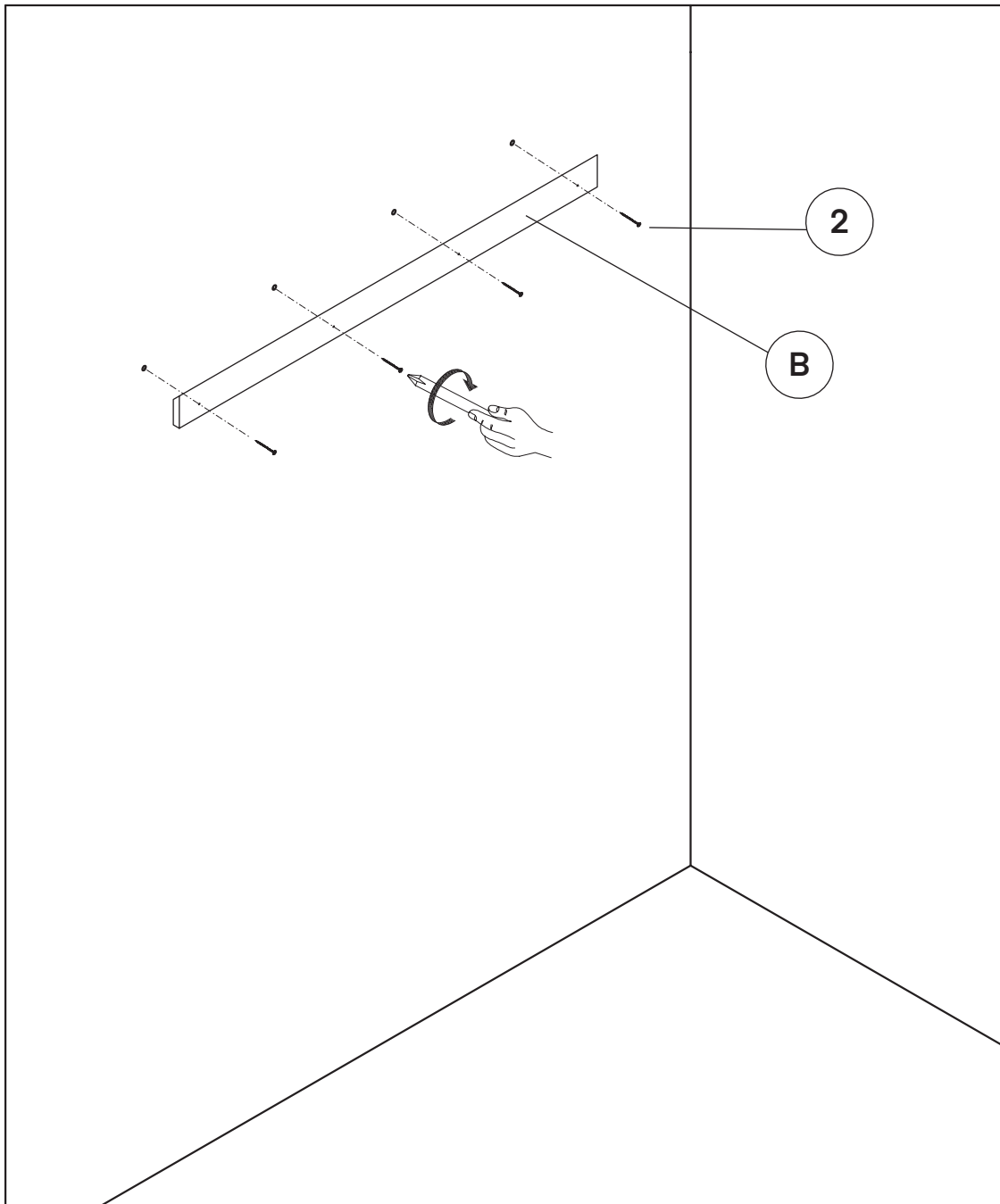
A. Drill the four holes marked on the wall with a 9 mm drill bit at a depth of 2.75".

B. Insert the four Plastic Anchors (1) into the holes.



Step 4:

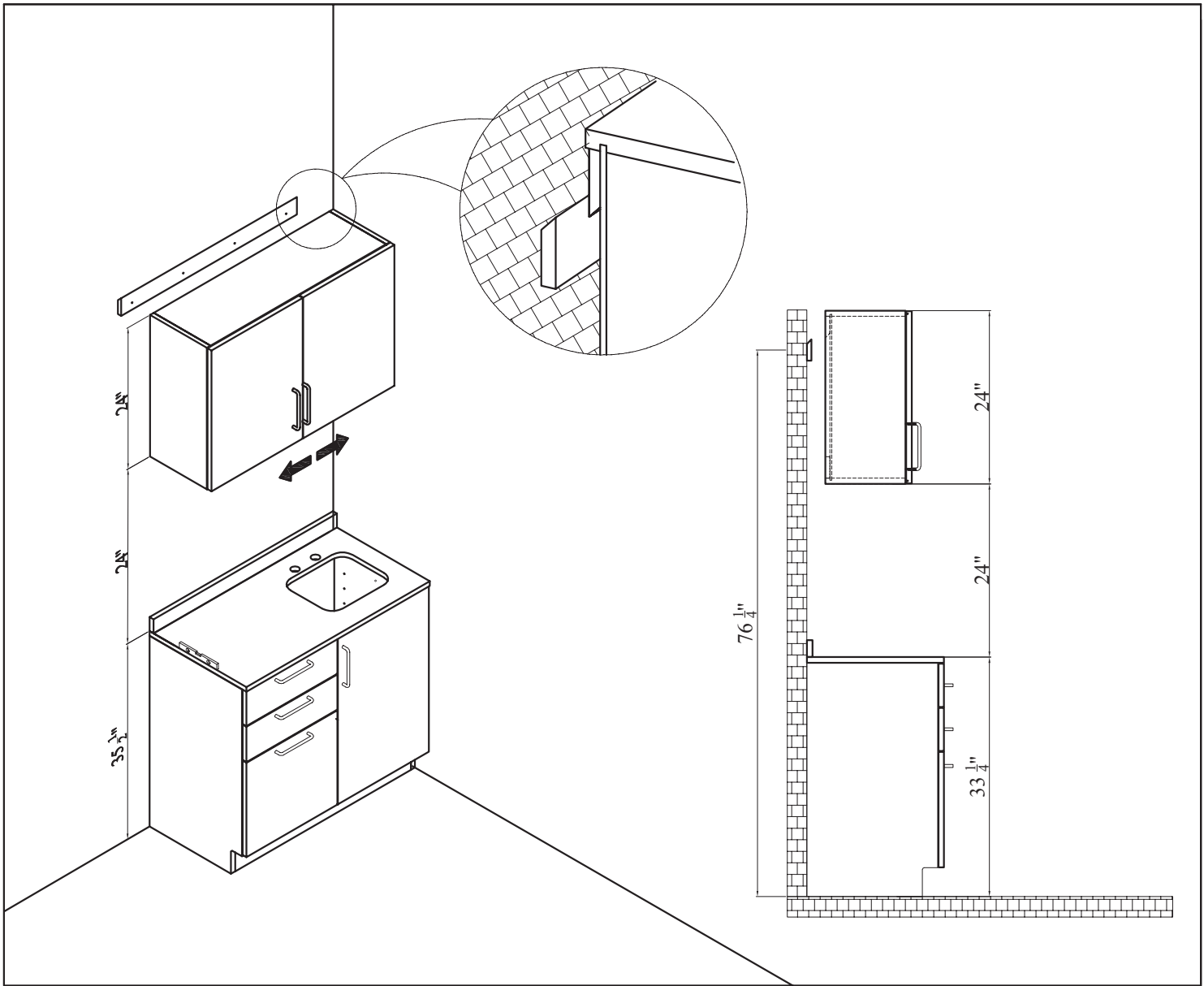
- A.** Locate the Bottom Cleat (B), and line it up with the holes you drilled in Step 3.
 - a.** Insert the four included Screws (2) into the predrilled holes on the cleat.
 - b.** Secure them in place with either a Philips head screwdriver or an electric screwdriver.



Step 5:

A. With two people, lift your wall cabinet up and over the Bottom Cleat (B).

B. Slowly slide the cabinet down until the Top Cleat (A) 45° edge fits securely on the Bottom Cleat's (B) edge.



Warranty

1. Adir Corp (the "Company" or "Tiger Companies") warrants to the purchaser that the product will be free from defects in workmanship and materials for a period of 3 years from the date of purchase. The warranty period is not extended if we repair, replace, exchange, or provide a refund for the product (as determined in our sole discretion). We may change the availability of this limited warranty at our discretion, but any changes will not be retroactive.
2. These warranties are not assignable or transferable to any other person, including, without limitation, any subsequent owner or other transferee of the product.
3. This Warranty does not apply to: (a) damage caused by misuse, tampering, abuse, neglect, or accident; (b) damage caused by improper installation, modification, or service; (c) alteration of the serial number; or (d) use that violates the instructions furnished by the Company will void this warranty.
4. The sole responsibility of the Company shall be limited to (a) the repair or replacement (in its sole discretion) of any component of the product which fails to conform to this; (b) a refund the purchase price of such product (in its sole discretion), at no cost to the purchaser for the period of the warranty, or (c) an exchange for a similar product, comparable in function and price.
5. Contact the Company directly at 1-(800)-805-1790 to obtain service under this warranty. If it becomes applicable to send a defective product to the Company, a Return Authorization Number must first be obtained from the Company. In order to obtain service under this warranty, purchaser may be required to provide the Company with the following items (a) proof of purchase, (b) photographs and or videos (of the damage, and (c) a written testimonial describing the defect.
6. Products shipped without prior Return Authorization and Return Authorization Number may not be accepted, and the Company will not be responsible for their disposition and/or cost of return to the owner.
7. The Company will not assume any responsibility for any loss or damage incurred in shipping and or delivery.
8. The product(s) must be returned within 14 calendar days of receiving the return authorization from the Company and must include the original proof of purchase for the warranty to be honored.
9. Any implied warranties that the purchaser may have are limited to the duration of the warranties described above. There are no further warranties that extend or apply beyond the face hereof, and the Company expressly disclaims and excludes any and all warranties of merchantability or fitness for a particular purpose. Some states do not allow limitations on how long an implied warranty lasts, so the above limitation may not apply to you.
10. THE REMEDIES DESCRIBED ABOVE ARE YOUR SOLE AND EXCLUSIVE REMEDIES AND THE COMPANY'S ENTIRE LIABILITY FOR ANY BREACH OF THIS LIMITED WARRANTY. OUR LIABILITY SHALL UNDER NO CIRCUMSTANCES EXCEED THE ACTUAL AMOUNT PAID BY YOU FOR THE DEFECTIVE PRODUCT, NOR SHALL WE UNDER ANY CIRCUMSTANCES BE LIABLE FOR ANY CONSEQUENTIAL, INCIDENTAL, SPECIAL OR PUNITIVE DAMAGES OR LOSSES, WHETHER DIRECT OR INDIRECT. SOME STATES DO NOT ALLOW THE EXCLUSION OR LIMITATIONS OF INCIDENTAL OR CONSEQUENTIAL DAMAGES, SO THE LIMITATION MAY NOT APPLY TO YOU.
11. This warranty gives you specific legal rights, and you may also have additional rights which vary from state to state.



ADIME902-WALL-48-GRY

© 2023 AdirCorp

adircorp.com