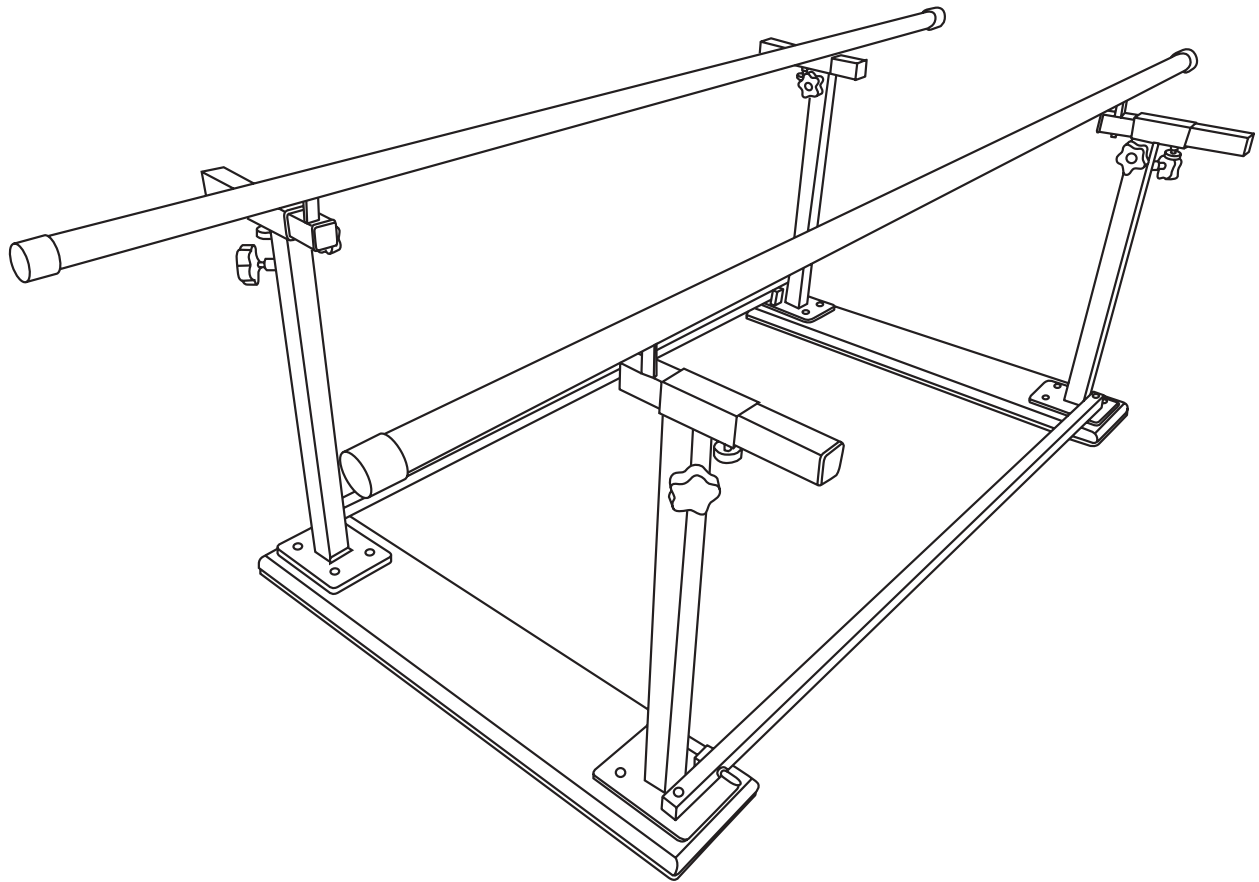


.....

FOLDING PARALLEL BARS

SEVEN FEET

.....



USER GUIDE

ADIME905-01



Thank you for your purchase.

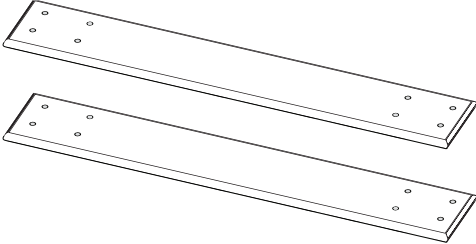
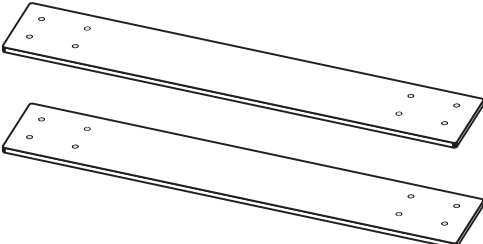
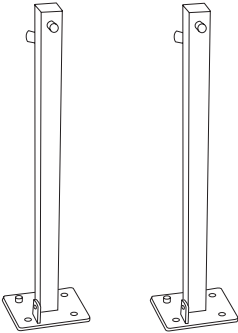
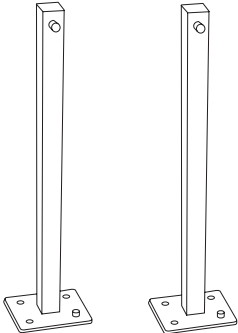
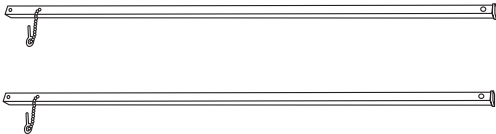
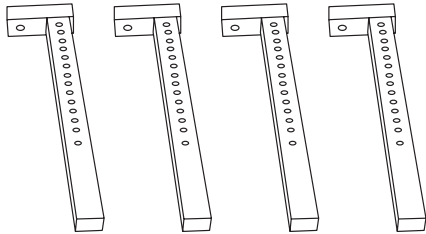
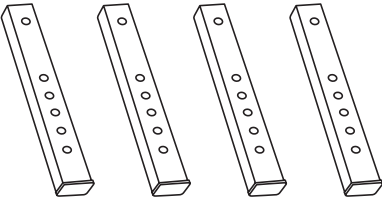
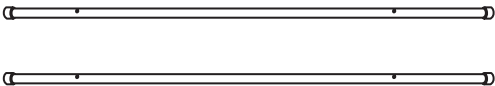
Viva Comfort maintains a strong practice of ongoing development of products and commercial research.

We recognize that starting and maintaining a medical practice is expensive. We'll help make the process cost-effective and elegant. Additionally, our team of specialists will ensure everything you need works as efficiently as possible, so you can effectively treat your clients.

Table of Contents

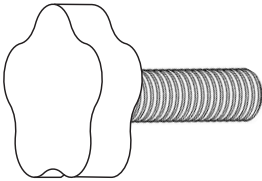
2	Parts List
3	Hardware List
4	Tools Needed
4	Specifications
5	Assembly Instructions
12	Folding Parallel Bars
13	Cleaning Instructions
14	Warranty
15	Notes

Parts List

<p>A</p>  <p>Wooden Panel (x2)</p>	<p>B</p>  <p>Iron Plate (x2)</p>
<p>C1</p>  <p>Upright 1 (x2)</p>	<p>C2</p>  <p>Upright 2 (x2)</p>
<p>D</p>  <p>Stiffening Rod (x2)</p>	<p>E</p>  <p>Height Rod (x4)</p>
<p>F</p>  <p>Width Rod (x4)</p>	<p>G</p>  <p>Handrail (x2)</p>

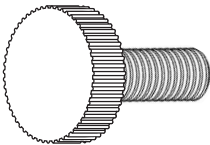
Hardware List

1



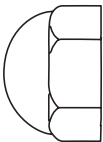
Star Head Knob (x8)

2



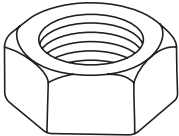
Circular Knob (x4)

3



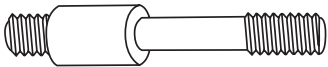
Nut 1 (x4)

4



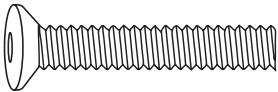
8 mm Nut 2 (x16)

5



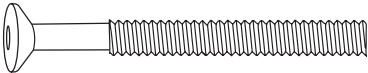
10 mm Screw (x4)

6



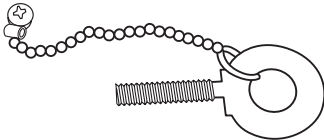
Screw 8*45 mm (x12)

7



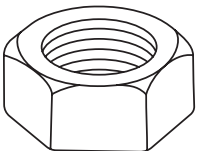
Screw 8*85mm (x4)

8



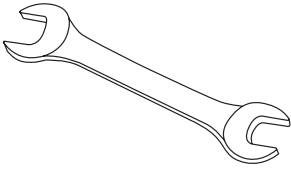
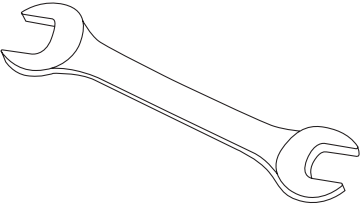

Pin (x4)
(Preinstalled On Stiffening Rods)

9



10 mm Nut 3 (x4)

Tools Needed

<p>1</p>  <p>Small Wrench</p>	<p>2</p>  <p>Big Wrench</p>
<p>3</p>  <p>Allen Key</p>	

Specifications

Please note, our Parallel Bars are specifically and solely designed for physical therapy use. Using this product for anything other than its intended use could potentially cause serious injury to themselves or others as well as damage the product.

Never allow patients to be on this product unattended.

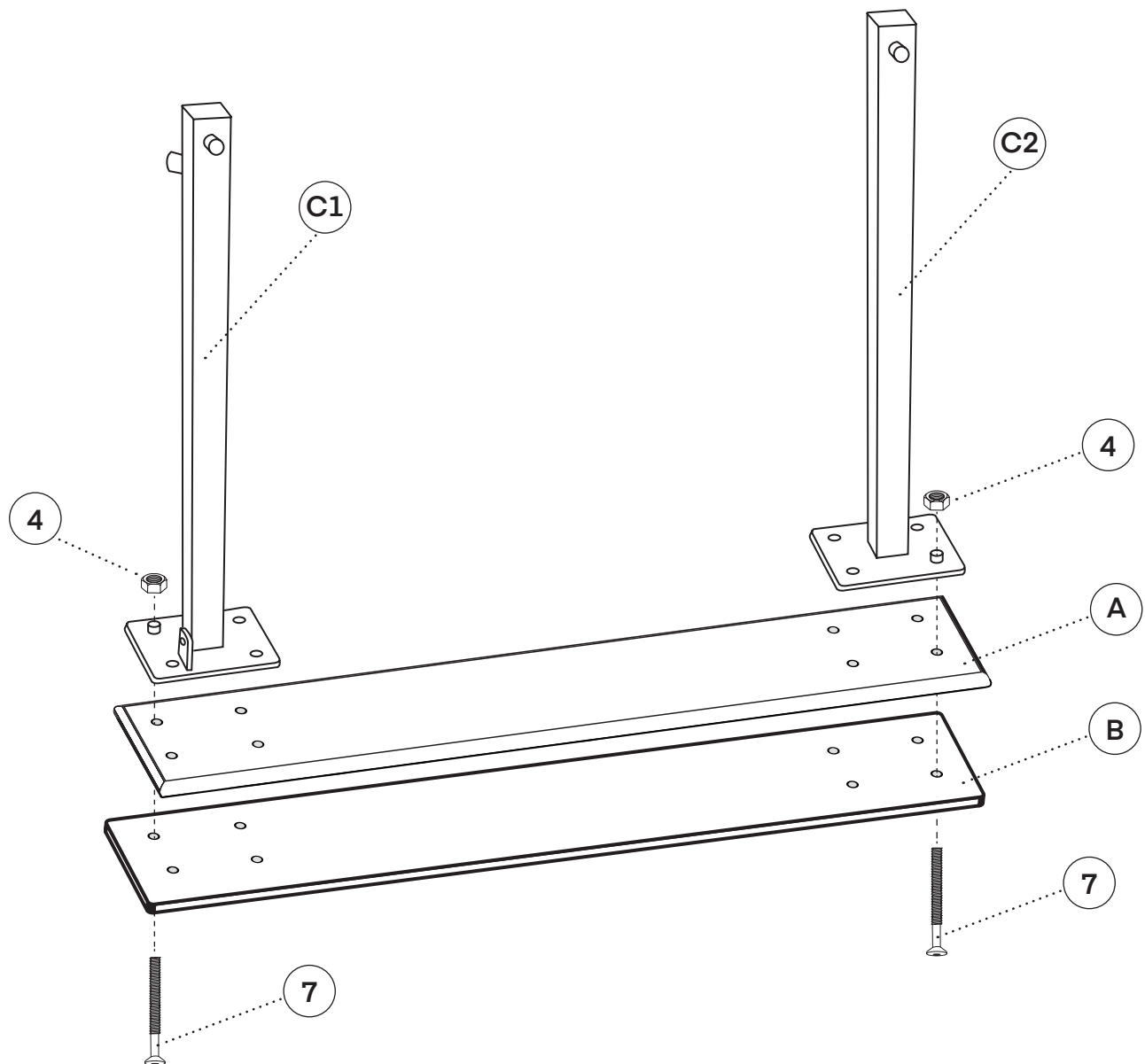
Do not exceed a combination weight of 350 lbs. from weight and force or you risk serious injury or death as well as damage to the product.

Max Combination Weight Capacity: 350 lb.

Assembly Instructions

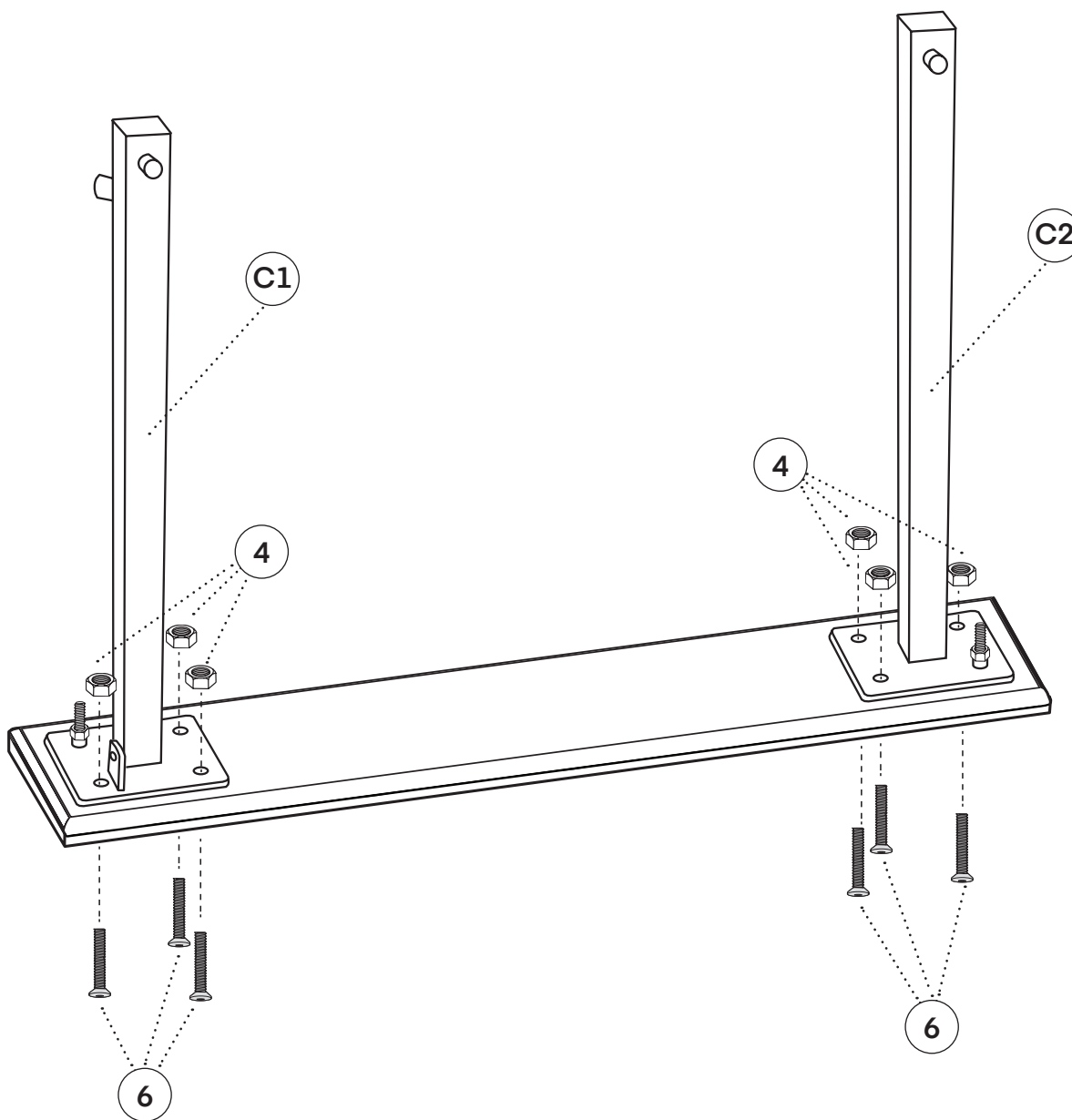
Step 1:

- A.** Locate a Iron Plate (B) and place it on a flat surface with the sinking holes facing downward side facing up.
- a.** Locate and place a Wooden Panel (A) on top of the Iron Plate (B).
- B.** Place one Upright 1 (C1) and Upright 2 (C2) on top of the Wooden Panel (A).
- C.** On the uprights, you will notice at the screw holes a raised section, as pictured below.
- a.** Insert into each upright, from underneath the metal and wood panels, one Screw 2 (8*85mm) (7).
- b.** Affix a 8 mm Nut 2 (4) onto Screw 2 (8*85mm) and secure it in place with a wrench.



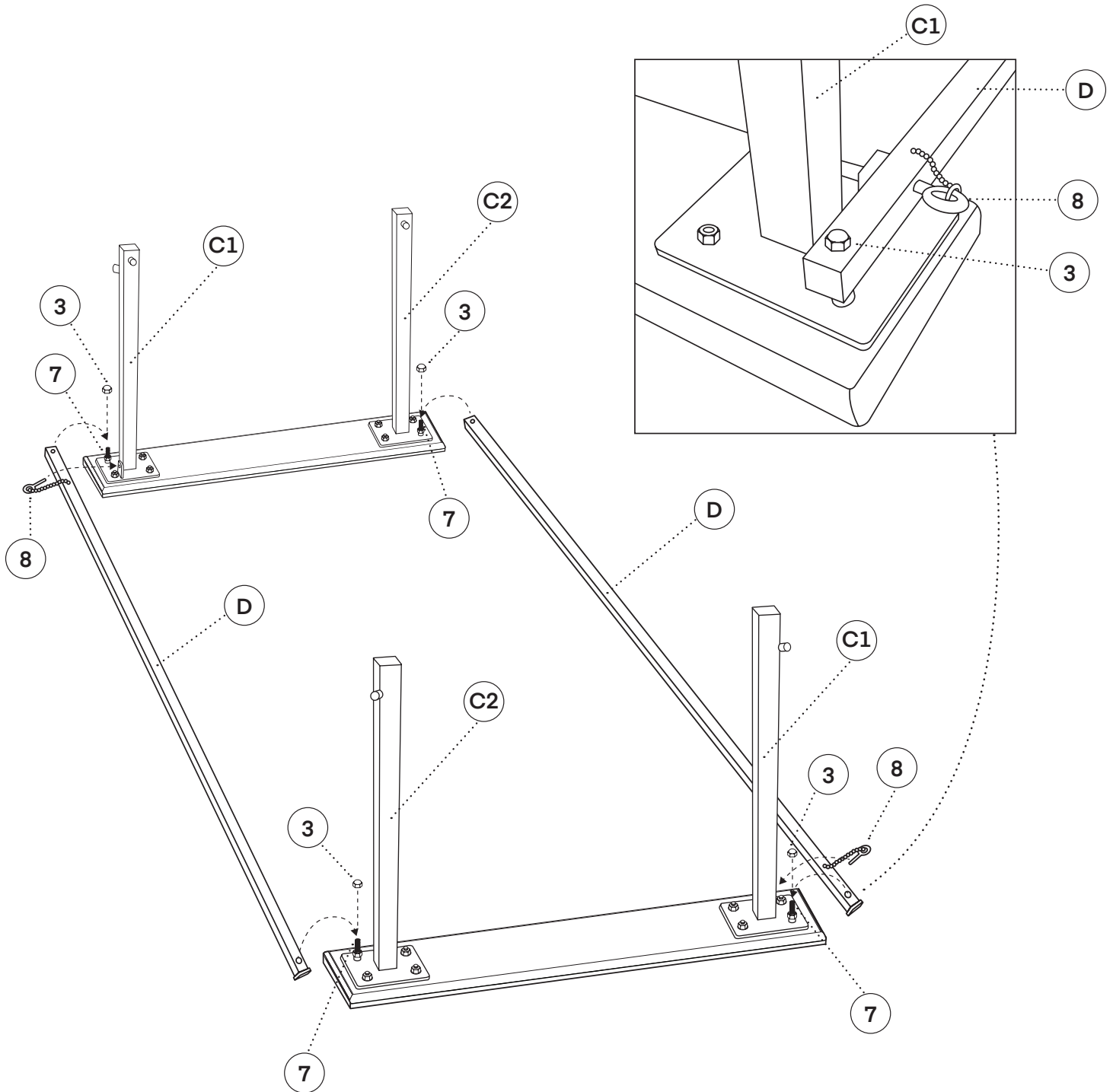
Step 2:

- A.** Insert three Screws 1 (8*45mm) (6), from underneath, through Upright 1 (C1) and Upright 2 (C2) into the wooden and metal panel.
- a.** Secure the screws from above the metal panel with a 8 mm Nut 2 (4).
- b.** Repeat the steps outlined in Step 1 and Step 3 for the remaining Iron Plate (B), Wooden Panel (A), Upright 1 (C1), and Upright 2 (C2).



Step 3:

- A. Take a Stiffening Rod (D) and connect one end to the Screw 2 (8*85mm) (7) you installed in Step 1 in Upright 1 (C1) but sliding it over the screw.
- B. Connect the other end to the Upright 2 (C2), located on the other pair of uprights.
- C. Screw the attached two Pins (8) into the second hole's located on the Stiffening Rod (D).
 - a. Screw on Nut 1 (3) over Screw's 2 (8*85mm) (7) and secure with a wrench.
- D. Repeat the above steps for the second Stiffening Rod (D).

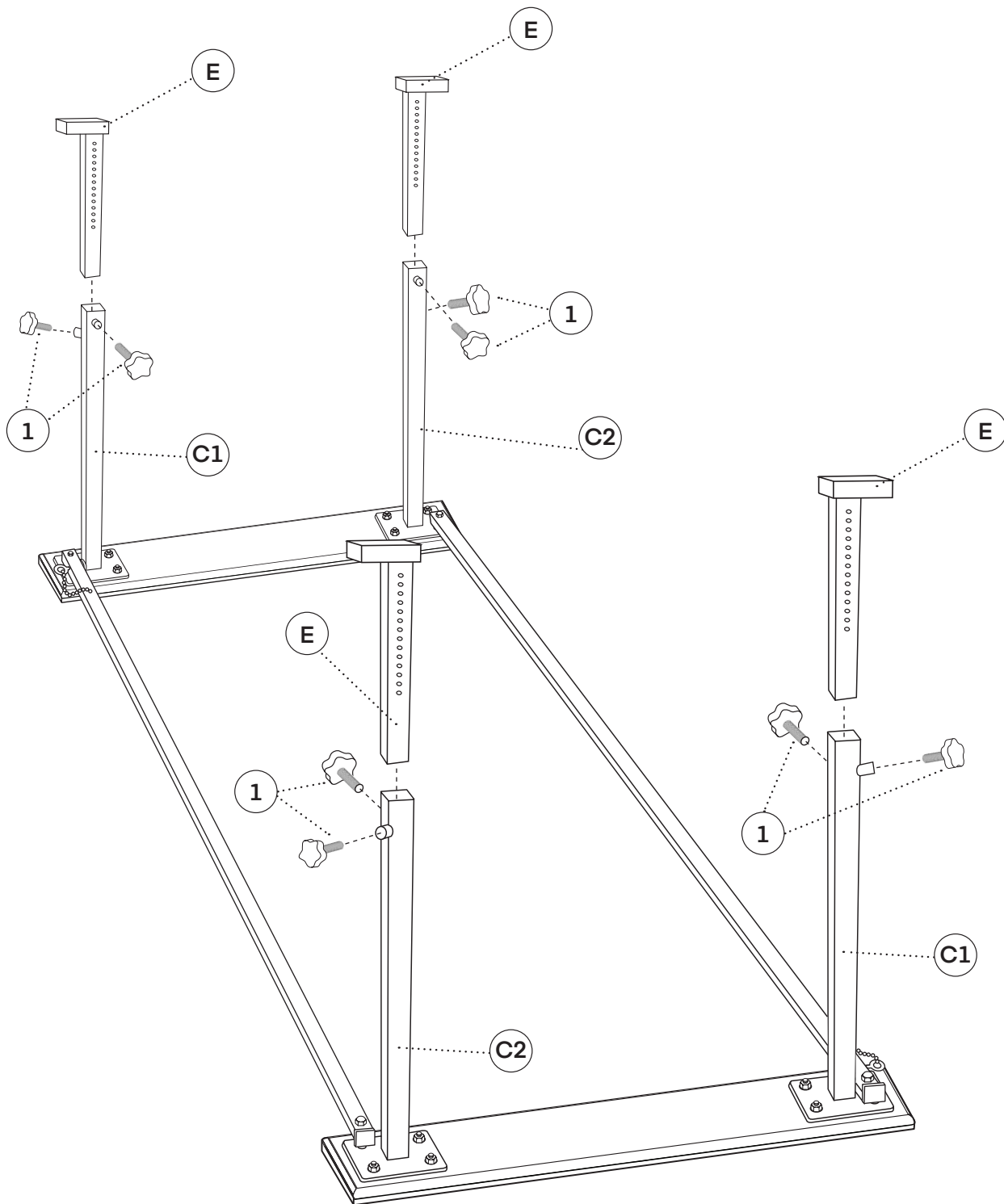


Step 4:

A. Insert the four Height Rods (E) into both Upright 1's (C1) and Upright 2's (C2).

a. Ensure the "L" shaped top of the Height Rods (E) is facing outward, as pictured.

B. Thread the eight Star Head Knob's (1) into the two predrilled holes located in the uprights.

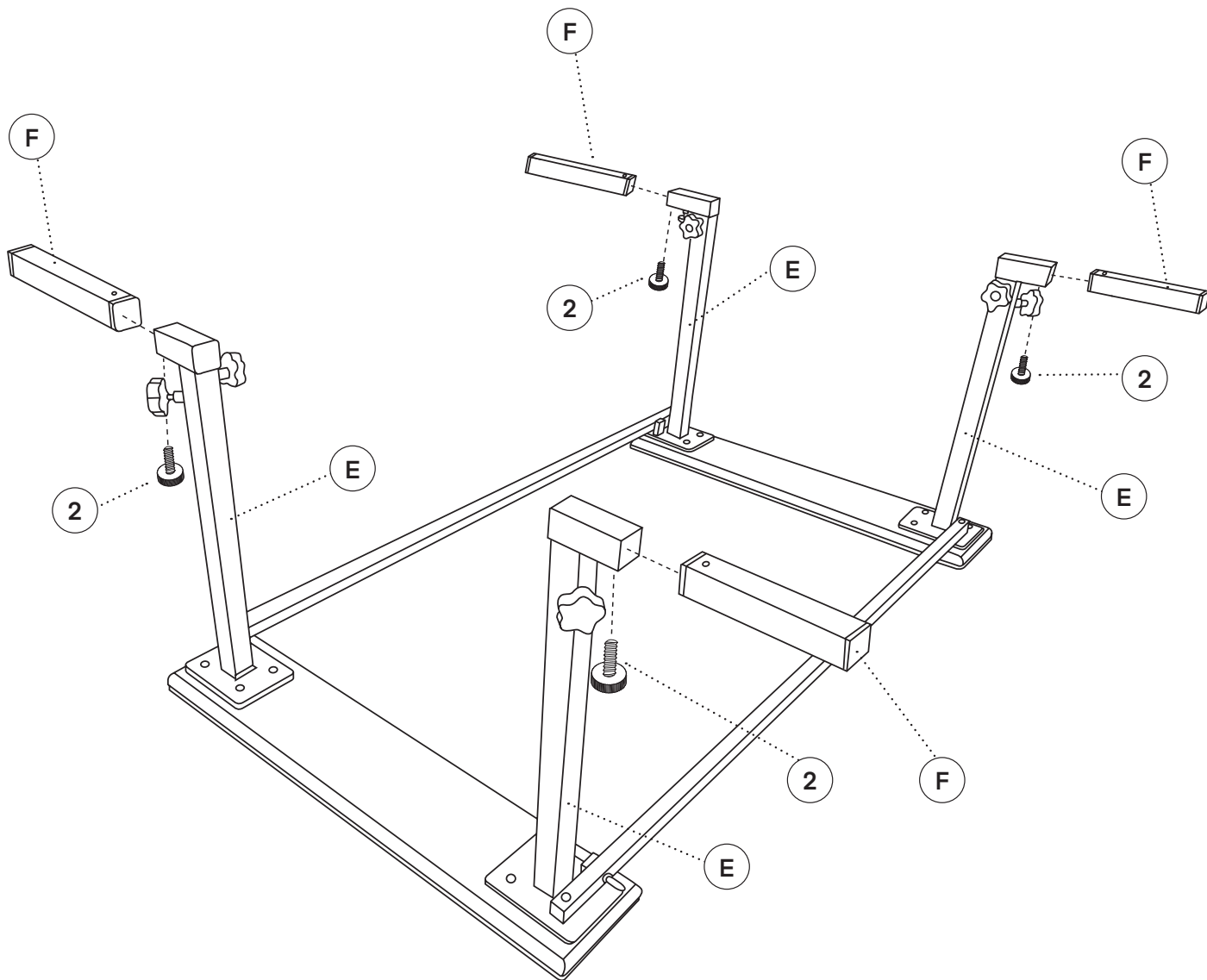


Step 5:

A. Insert the Width Rods (F) into each Height Rod (E).

a. Ensure the width adjustment holes are facing down.

B. Insert a Circular Knob (2) underneath each Width Rod (F), as pictured, and secure in place.



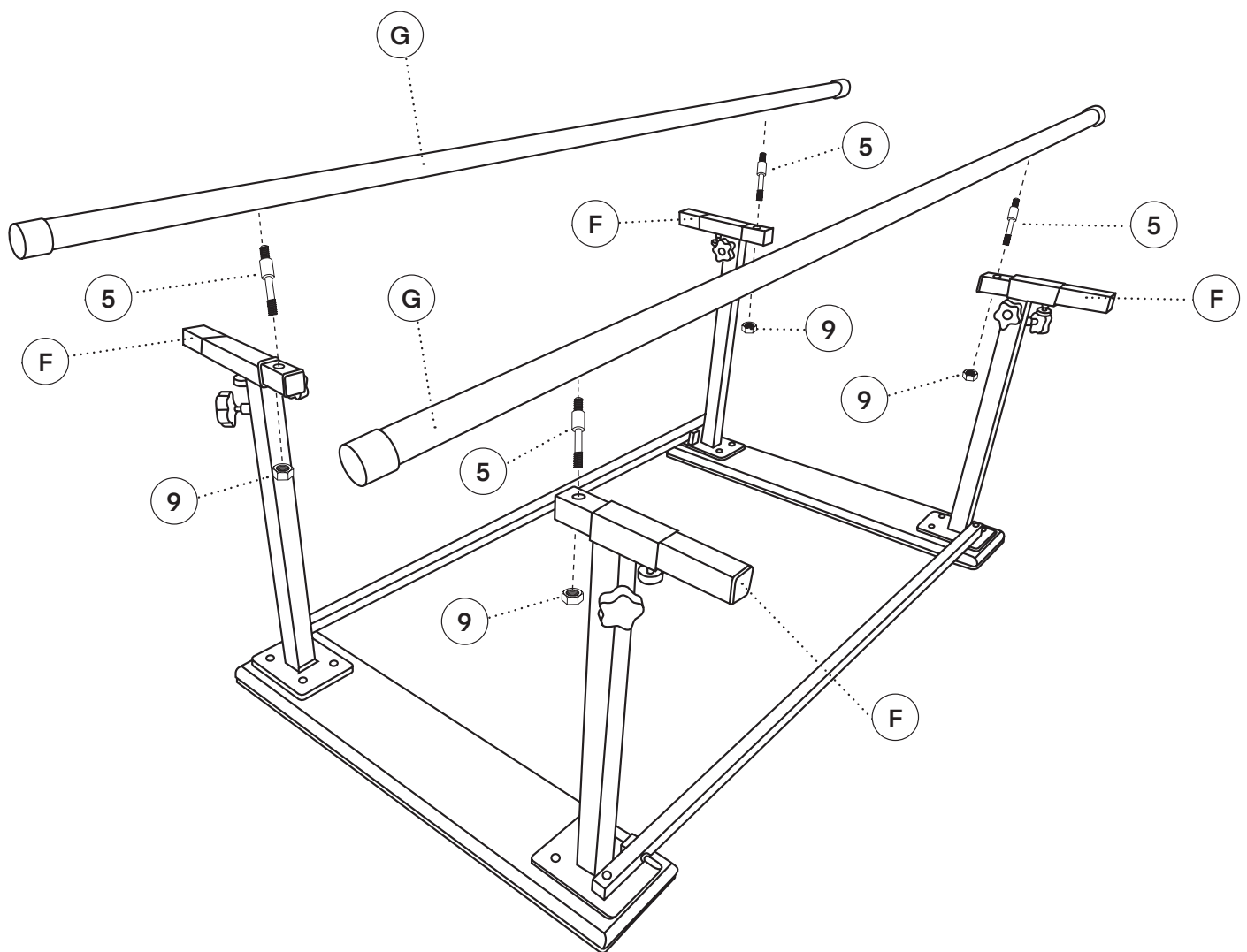
Step 6:

A. Lay the Handrail's (G) on a flat surface.

a. Insert the four 10 mm Screws (5) into each hole located on the Handrail (G).

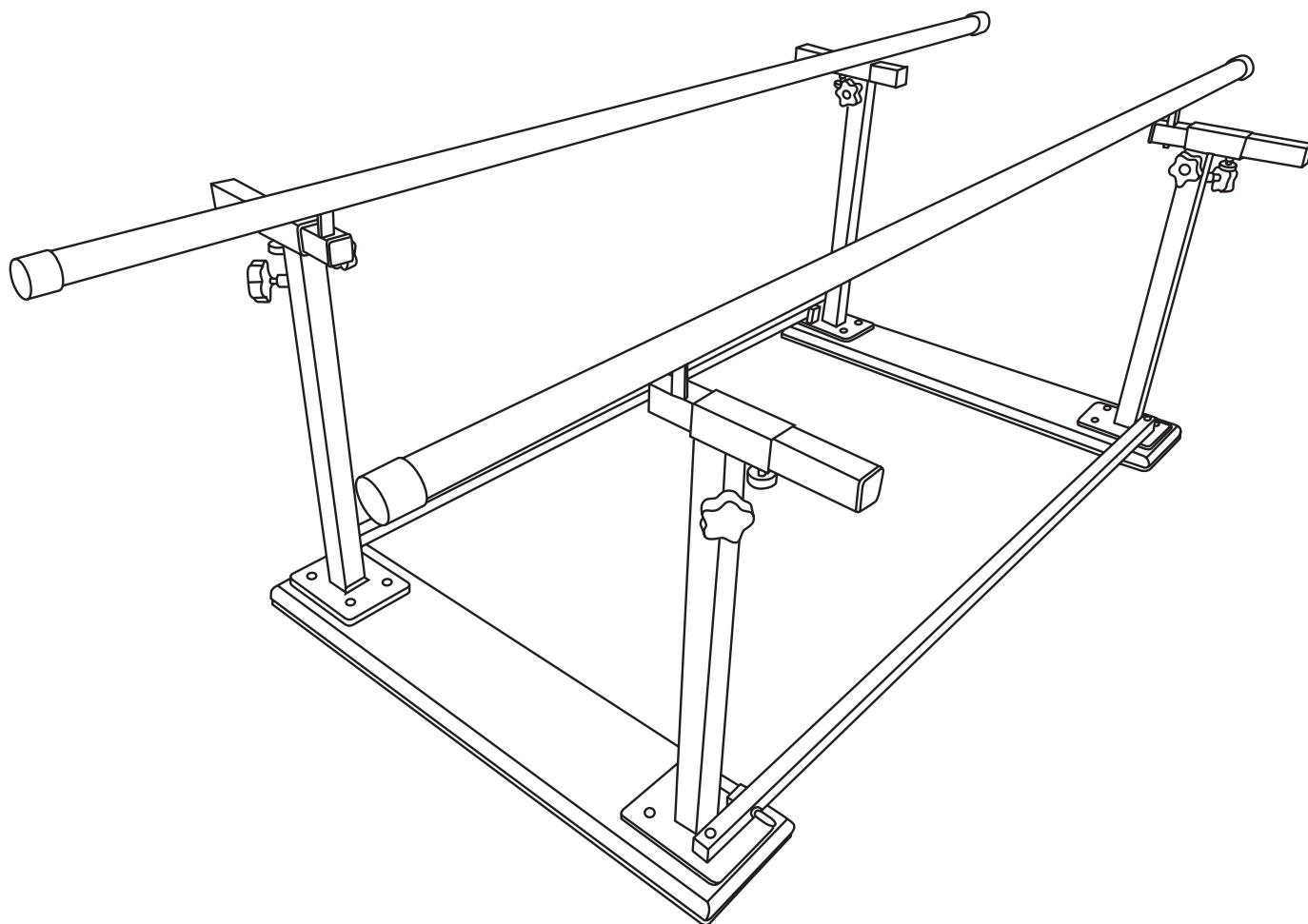
B. Insert the 10 mm Screws (5) on the Handrail's (G) into the holes on top of the Width Rods (F).

a. Secure the screws in place by applying a 10 mm Nut 3 (9) from underneath and fastening it with a wrench.



Step 7:

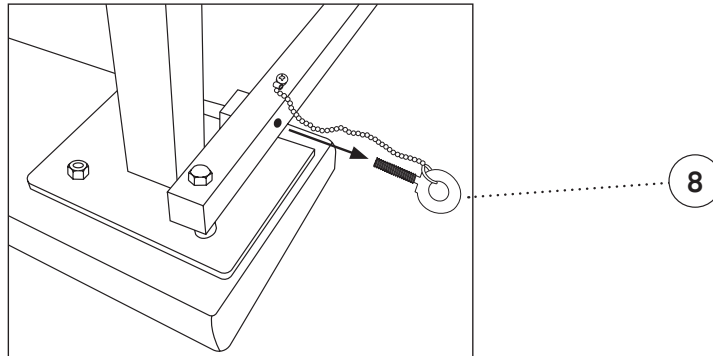
A. Your Folding Parallel Bars are now ready to be used.



Folding Parallel Bars

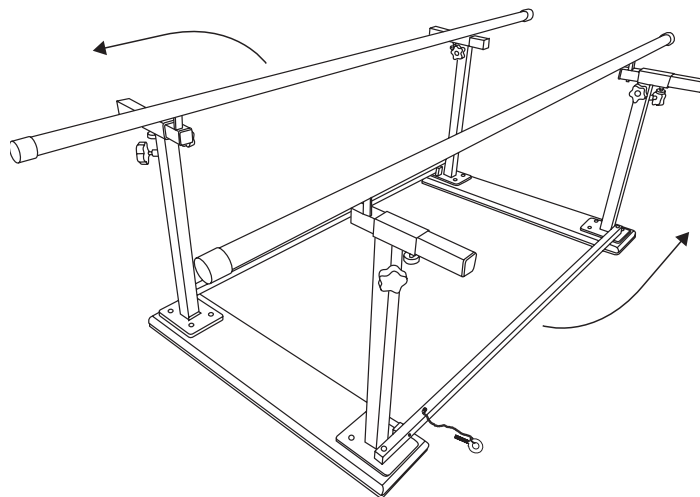
Step 1:

A. To fold your Parallel Bars, remove both Pins (8) you installed in Step 3.

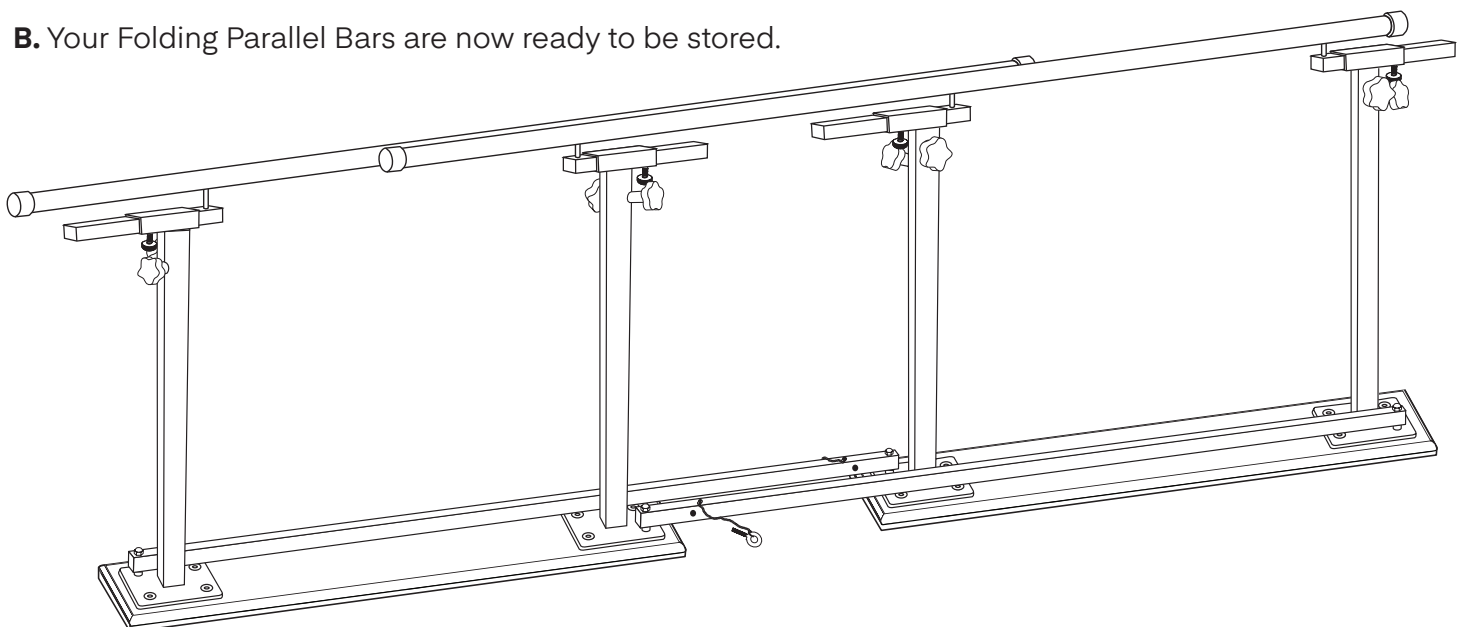


Step 2:

A. Compress the product together fully by sliding the sides in opposite directions.



B. Your Folding Parallel Bars are now ready to be stored.

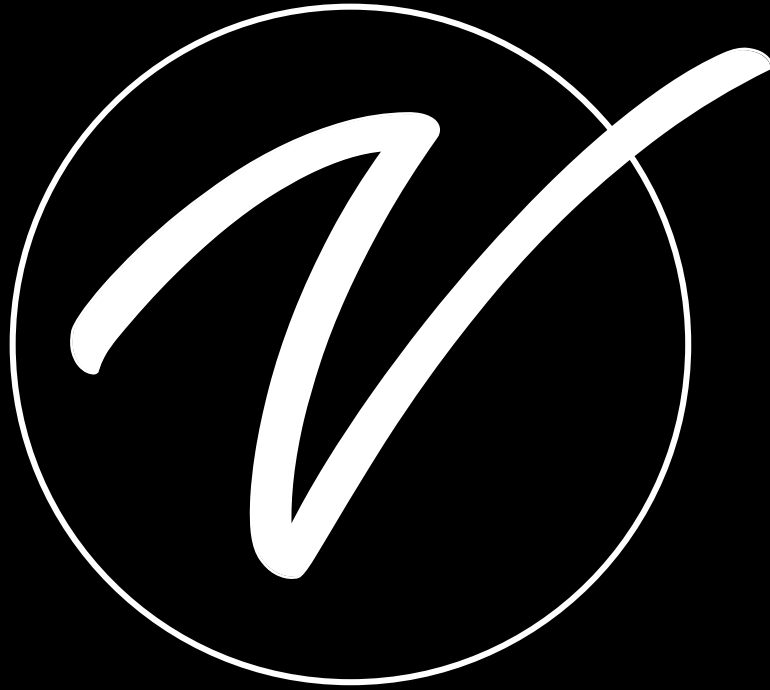


Cleaning Instructions

- Do not use alcohol-based cleaning agents on the Folding Parallel Bars.
- Do not use harsh chemicals on this product or you risk it degrading.
- To maintain your Folding Parallel Bar's condition, periodically check the condition of every part and hardware piece.
- Ensure everything is secure and in working order before each use.

Warranty

1. Viva Comfort (the "Company" or "Tiger Companies") warrants to the purchaser that the product will be free from defects in workmanship and materials for a period of 1 year from the date of purchase. The warranty period is not extended if we repair, replace, exchange, or provide a refund for the product (as determined in our sole discretion). We may change the availability of this limited warranty at our discretion, but any changes will not be retroactive.
2. These warranties are not assignable or transferable to any other person, including, without limitation, any subsequent owner or other transferee of the product.
3. This Warranty does not apply to: (a) damage caused by misuse, tampering, abuse, neglect, or accident; (b) damage caused by improper installation, modification, or service; (c) alteration of the serial number; or (d) use that violates the instructions furnished by the Company will void this warranty.
4. The sole responsibility of the Company shall be limited to (a) the repair or replacement (in its sole discretion) of any component of the product which fails to conform to this; (b) a refund the purchase price of such product (in its sole discretion), at no cost to the purchaser for the period of the warranty, or (c) an exchange for a similar product, comparable in function and price.
5. Contact the Company directly at 1-(800)-805-1790 to obtain service under this warranty. If it becomes applicable to send a defective product to the Company, a Return Authorization Number must first be obtained from the Company. In order to obtain service under this warranty, purchaser may be required to provide the Company with the following items (a) proof of purchase, (b) photographs and or videos (of the damage, and (c) a written testimonial describing the defect.
6. Products shipped without prior Return Authorization and Return Authorization Number may not be accepted, and the Company will not be responsible for their disposition and/or cost of return to the owner.
7. The Company will not assume any responsibility for any loss or damage incurred in shipping and or delivery.
8. The product(s) must be returned within 14 calendar days of receiving the return authorization from the Company and must include the original proof of purchase for the warranty to be honored.
9. Any implied warranties that the purchaser may have are limited to the duration of the warranties described above. There are no further warranties that extend or apply beyond the face hereof, and the Company expressly disclaims and excludes any and all warranties of merchantability or fitness for a particular purpose. Some states do not allow limitations on how long an implied warranty lasts, so the above limitation may not apply to you.
10. THE REMEDIES DESCRIBED ABOVE ARE YOUR SOLE AND EXCLUSIVE REMEDIES AND THE COMPANY'S ENTIRE LIABILITY FOR ANY BREACH OF THIS LIMITED WARRANTY. OUR LIABILITY SHALL UNDER NO CIRCUMSTANCES EXCEED THE ACTUAL AMOUNT PAID BY YOU FOR THE DEFECTIVE PRODUCT, NOR SHALL WE UNDER ANY CIRCUMSTANCES BE LIABLE FOR ANY CONSEQUENTIAL, INCIDENTAL, SPECIAL OR PUNITIVE DAMAGES OR LOSSES, WHETHER DIRECT OR INDIRECT. SOME STATES DO NOT ALLOW THE EXCLUSION OR LIMITATIONS OF INCIDENTAL OR CONSEQUENTIAL DAMAGES, SO THE LIMITATION MAY NOT APPLY TO YOU.
11. This warranty gives you specific legal rights, and you may also have additional rights which vary from state to state.



ADIME905-01

© 2023 Viva Comfort

vivacomfort.com