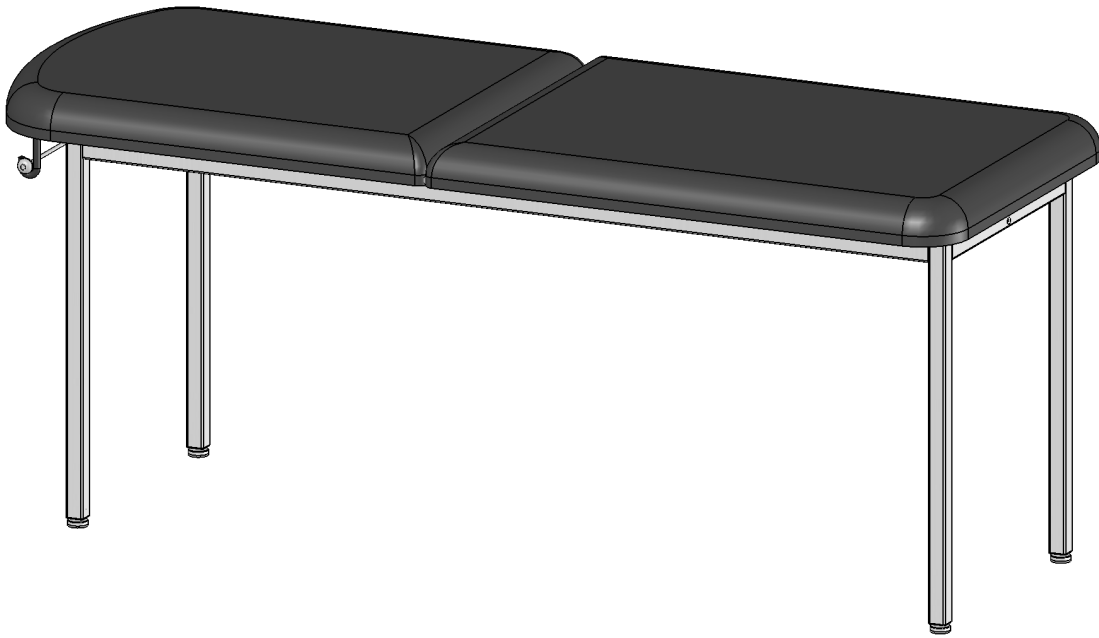


BrewerElement

TREATMENT TABLE

Model 2010



Overview	2	Installation.....	5
Tools Needed.....	2	Maintenance	6
Hardware.....	2	Accessories	6
Assembly.....	3-4	Limited Warranty	6

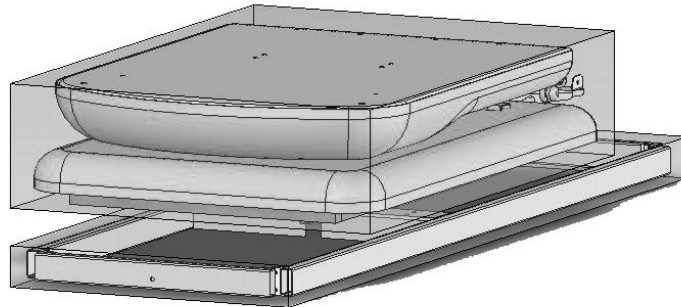
OVERVIEW

Perform the following sequence in order when setting up the table:

- Unpacking
- Assembly
- Leveling the Table
- Installing the Paper Roll

NOTE: Save all packaging in case re-shipment is required.

NOTE: Inspect all boxes and contents for damage. Report any damage to the carrier immediately.



MODEL 2010

For the above models you will receive two separate cartons: a frame carton, and an upholstery carton. Inspect both carefully for shipping incurred damage.

⚠ WARNING
Two or more people should assist in moving the table. Use proper lifting techniques when lifting. Failure to do so could result in serious injury!

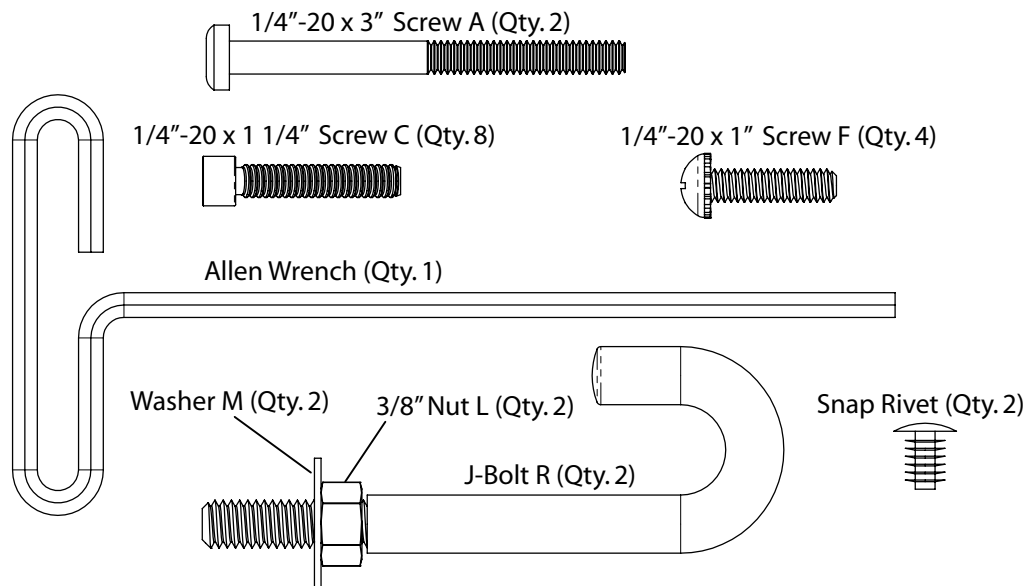
⚠ CAUTION
To avoid damaging the table's upholstery or painted surfaces, DO NOT use a knife or any other sharp object to open the packaging.

MODELS 2010 TOOLS NEEDED

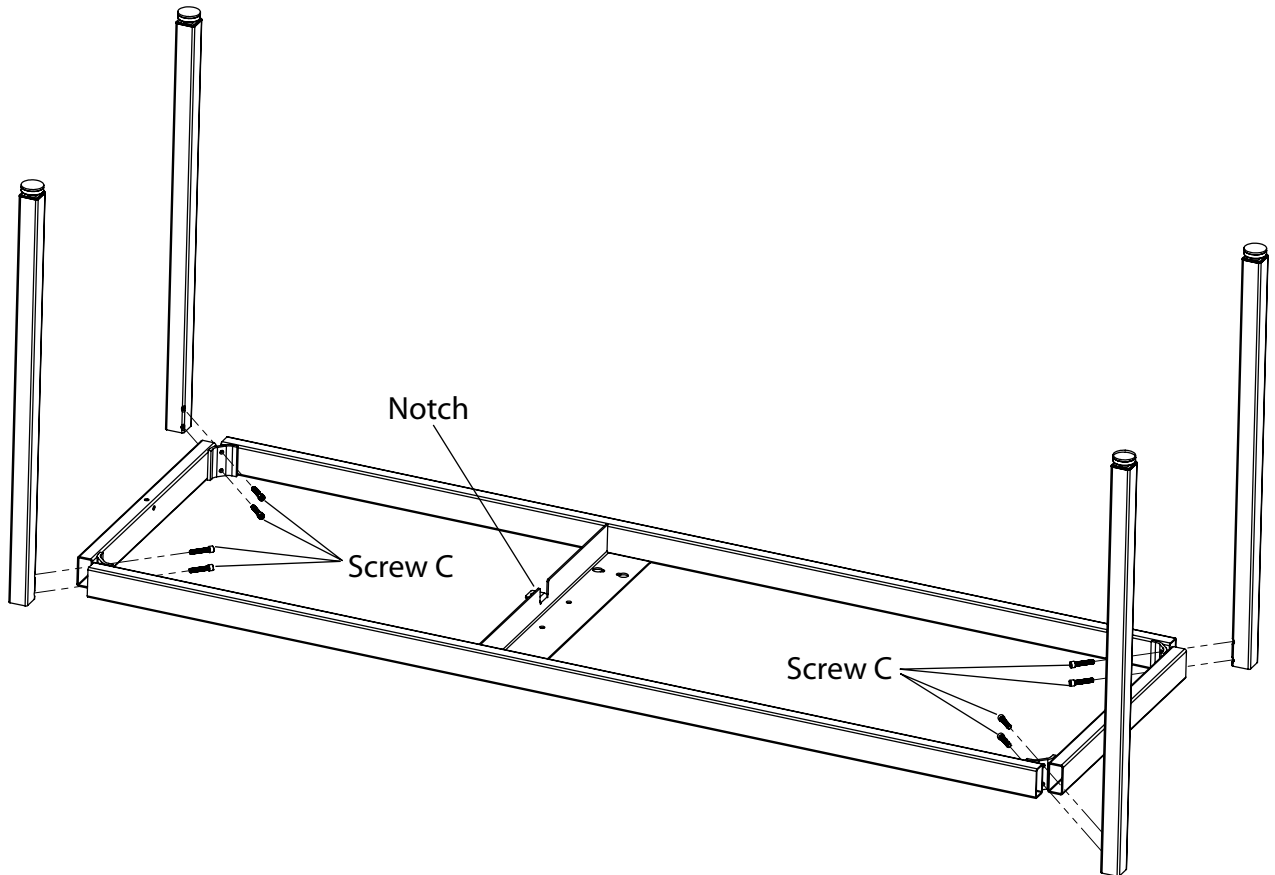
9/16" Open End Wrench

Phillips Screw Driver

MODELS 2010 HARDWARE



MODEL 2010 STEP 1



STEP A: Start with table frame inverted: note the position of the Notch in the drawing above is facing upwards.

STEP B: Position legs (see drawing above). Insert Screws C (1/4"-20 x 1 1/4") by hand. Tighten screws using Allen Wrench provided.

MODEL 2010 STEP 2

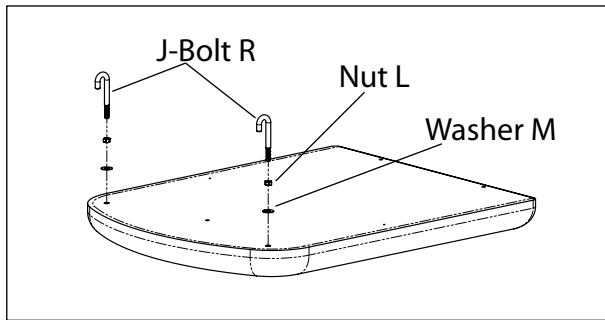
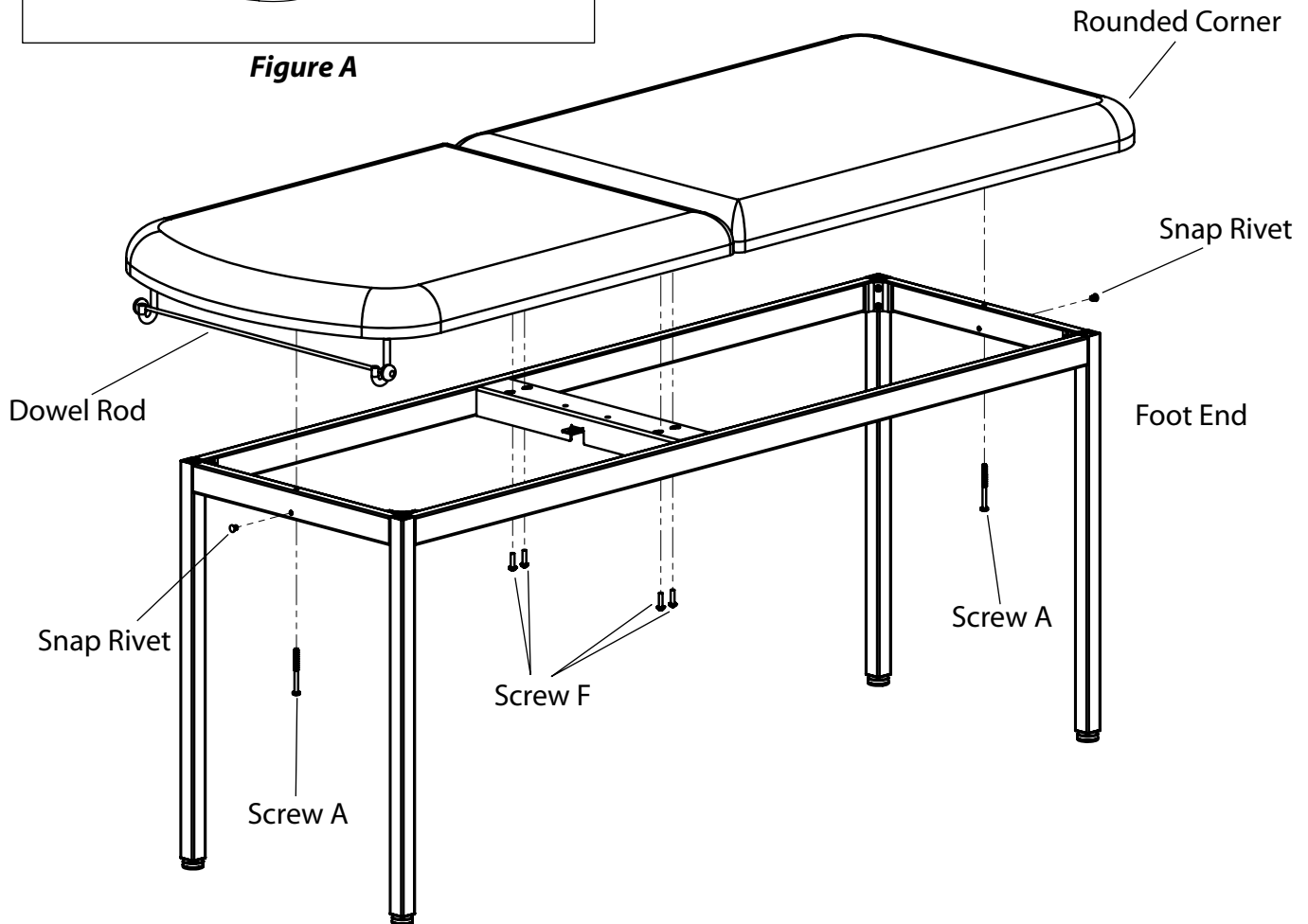


Figure A

STEP A: Install J-Bolts as shown in Figure A. Thread Nut L (3/8") completely onto J-Bolt. Place Washer M onto J-Bolt and thread into Backrest as shown in Figure A. Position J-Bolt toward head of table as shown and tighten nut against backrest.



STEP B: Set upholstery top and bottom on frame, with Rounded Corners of the upholstery bottom placed at the Foot End of the table.

STEP C: Install 2 Screws A (1/4"-20 x 3") through frame and into upholstery.

STEP D: Install 4 Screws F (1/4"-20 x 1") through frame and into upholstery.

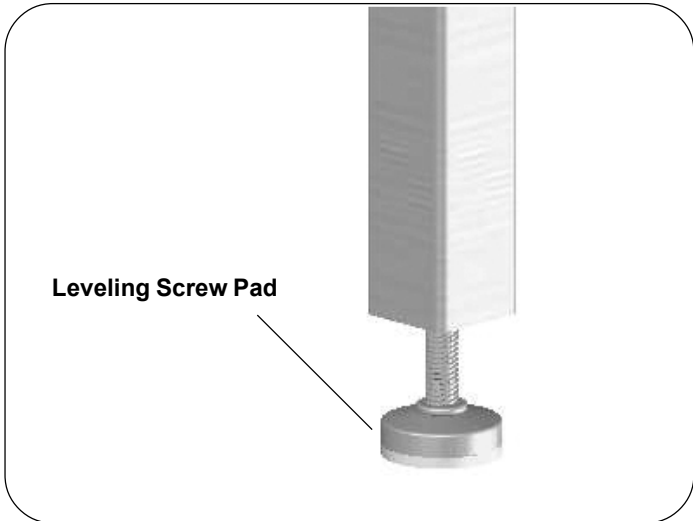
STEP E: Tighten Screws and insert Snap Rivets as shown.

STEP F: Slide the Dowel Rod through the paper roll and hang the Dowel Rod on the J-Bolts. Ensure a secure fit before using the paper roll dispenser.

INSTALLATION

Leveling the Table

A Leveling Screw Pad is located at each corner under the table's base. Adjust the four Leveling Screw Pads, by turning them up or down, to achieve a solid, level installation.



MAINTENANCE

Preventative Maintenance

- Inspect the mechanical functions to ensure satisfactory operation.
- Check fasteners to make sure they are present and secured tightly.

Cleaning

Upholstery

Regular care should be maintained by daily wiping with a damp cloth or sponge and periodic cleaning with a mild soap and water solution. Let air dry before placing anything on top of upholstery.

⚠ WARNING

The upholstery material that covers the top of the table is resistant to most medicinal-type stains, but may be damaged by solvents and dyes. Remove any fluids which are spilled on the upholstery immediately. All surfaces should be cleaned within your facilities guidelines concerning antimicrobials and bloodborne pathogens.

Painted Metal Surfaces

Wipe all painted metal surfaces with a clean cloth at least once a week.

ACCESSORIES

Description	Reorder No.	Use/Restrictions
Replacement Upholstery	210115-XX 220115-XX	Intended Use - Replacement top with hardware for 2010 and 2020 Treatment Tables in 18 standard colors.
Special Upholstery	210115-SP 220115-SP	Intended Use - Allows the purchase of specialty vinyls in different colors with the model 2010 Treatment Tables. (Additional charges may apply.)
Front Drawer Organizer	100407	Intended Use - Optional front drawer dividers for separation and organization.
Paper Straps	10196	Intended Use - Secures paper in two locations to table.

LIMITED WARRANTY

**The Brewer Company
GENERAL TERMS AND CONDITIONS**

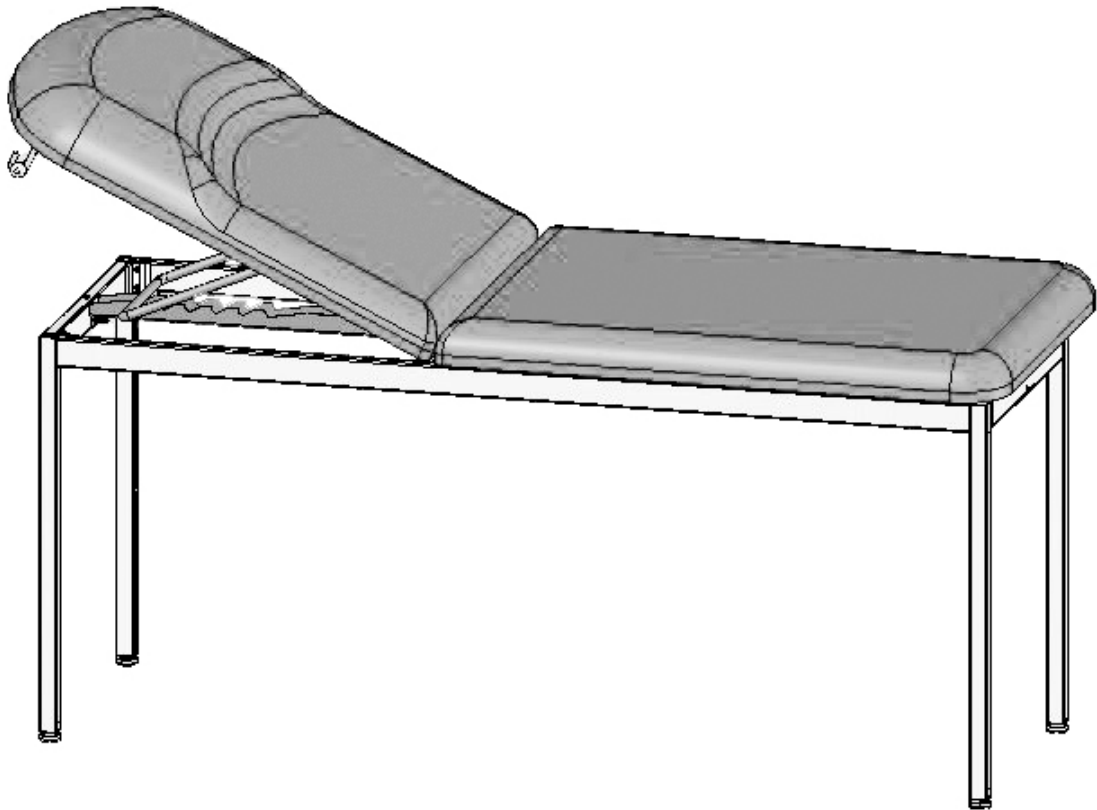
Warranty: The Brewer Company warrants its products to be free from defects in parts and workmanship under normal use and service for a period of three (3) years from date of shipment. The Brewer Company warrants its power tables to be free from defects in parts and workmanship under normal use and service for a period of three (3) years from date of shipment. The Brewer Company warrants its exam tables to be free from defects in parts and workmanship under normal use and service for a period of three (3) years from date of shipment. The Brewer Company warrants its lighting products to be free from defects in parts and workmanship under normal use and service for a period of one (1) year from date of shipment. The Brewer Company will not be responsible for any Product failure due to abuse, misuse, modification or improper use or for any use which exceeds the published capacity of the Product. Products returned by prepaid freight for inspection and found defective will, at the option of The Brewer Company, be repaired or replaced at no charge, but no claim for outside labor or other charges will be allowed. Products must not be returned without proper written authorization from The Brewer Company. Requests for authorization must be in writing and accompanied by the original purchase order, The Brewer Company invoice number and a copy of the invoice for the Product. THIS WARRANTY IS EXCLUSIVE AND IN LIEU OF ALL OTHER WARRANTIES AND REMEDIES WHATSOEVER, INCLUDING BUT NOT LIMITED TO IMPLIED WARRANTIES OF MERCHANTABILITY AND/OR FITNESS FOR A PARTICULAR PURPOSE. NO AGENT, EMPLOYEE, OR REPRESENTATIVE OF THE BREWER COMPANY HAS ANY AUTHORITY TO MAKE ANY AFFIRMATION, REPRESENTATION, OR WARRANTY NOT SET FORTH IN THESE TERMS AND CONDITIONS CONCERNING ANY PRODUCTS OF THE BREWER COMPANY. THE BREWER COMPANY SHALL HAVE NO LIABILITY WHATSOEVER FOR DAMAGES CAUSED BY TRANSPORTATION, ACCIDENTS, FIRE, UNAUTHORIZED ALTERATION, OR NORMAL WEAR OR ABUSE, NOR SHALL THE BREWER COMPANY HAVE ANY LIABILITY WHATSOEVER FOR ANY INCIDENTAL OR CONSEQUENTIAL DAMAGES, including without limitation, lost profits or any such damages arising from (a) the design, manufacture, sale, delivery, installation, repair, operation or use of products of The Brewer Company or any part thereof, (b) any actual or alleged failure or defect in products of The Brewer company or any part thereof, or (c) any actual or alleged breach or non-performance by The Brewer Company of this limited warranty.

Freight Claims: Upon receipt, merchandise should be carefully examined to ascertain that proper amount has been received in good condition. Any claim for shortage or damage must be made with delivering carrier within five (5) days from receipt of goods. We do not assume any responsibility for loss or damage in transit, and compensation for such loss must be obtained from the carrier.

BrewerElement

TREATMENT TABLE

Models 2030 and 2040



Overview	2	Operation	9
Tools Needed	2	Maintenance	10
Hardware.....	2	Accessories	10
Assembly.....	3-8	Limited Warranty	10
Installation.....	9		

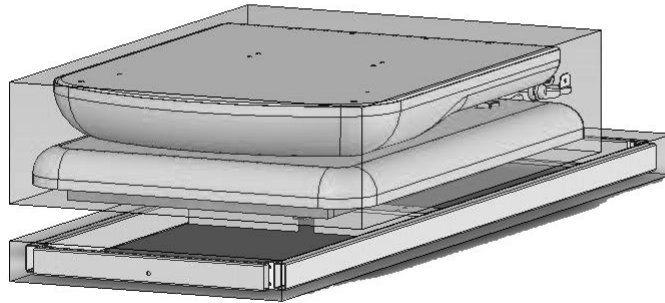
OVERVIEW

Perform the following sequence in order when setting up the table:

- Unpacking
- Assembly
- Leveling the Table
- Installing the Paper Roll

NOTE: Save all packaging in case re-shipment is required.

NOTE: Inspect all boxes and contents for damage. Report any damage to the carrier immediately.



MODELS 2030 & 2040

For the above models you will receive two separate cartons: a frame carton, and an upholstery carton. Inspect both carefully for shipping incurred damage.

⚠ WARNING

Two or more people should assist in moving the table. Use proper lifting techniques when lifting. Failure to do so could result in serious injury!

⚠ CAUTION

To avoid damaging the table's upholstery or painted surfaces, DO NOT use a knife or any other sharp object to open the packaging.

MODELS 2030 and 2040 TOOLS NEEDED

Rubber Mallet

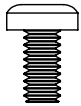
9/16" Open End Wrench

Phillips Screw Driver

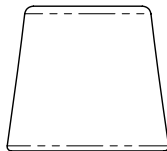
7/16" Socket or Wrench

MODELS 2030 and 2040 HARDWARE

1/4"-20 x 1/2" Screw G (Qty. 5)



Bumper (Qty. 2)



1/4"-20 Nut H (Qty. 6)



1/4"-20 x 4" Screw A (Qty. 1)



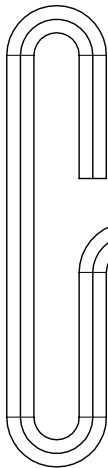
Cap (Qty. 2)



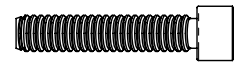
1/4"-20 x 2" Screw B (Qty. 3)
(Painted)



Allen Wrench (Qty. 1)



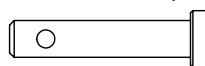
1/4"-20 x 1 1/4" Screw C (Qty. 8)



Cotter Pin (Qty. 2)



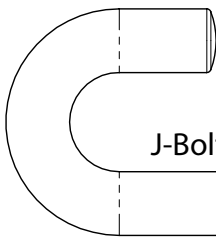
Clevis Pin (Qty. 2)



10-24 x 1 1/4" Screw D (Qty. 2)



J-Bolt R (Qty. 2)

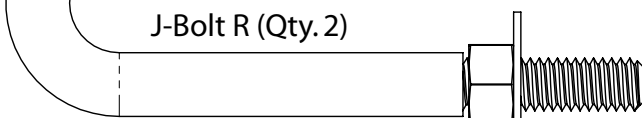


1/4"-20 x 1" Screw F (Qty. 8)



3/8" Nut L (Qty. 2)

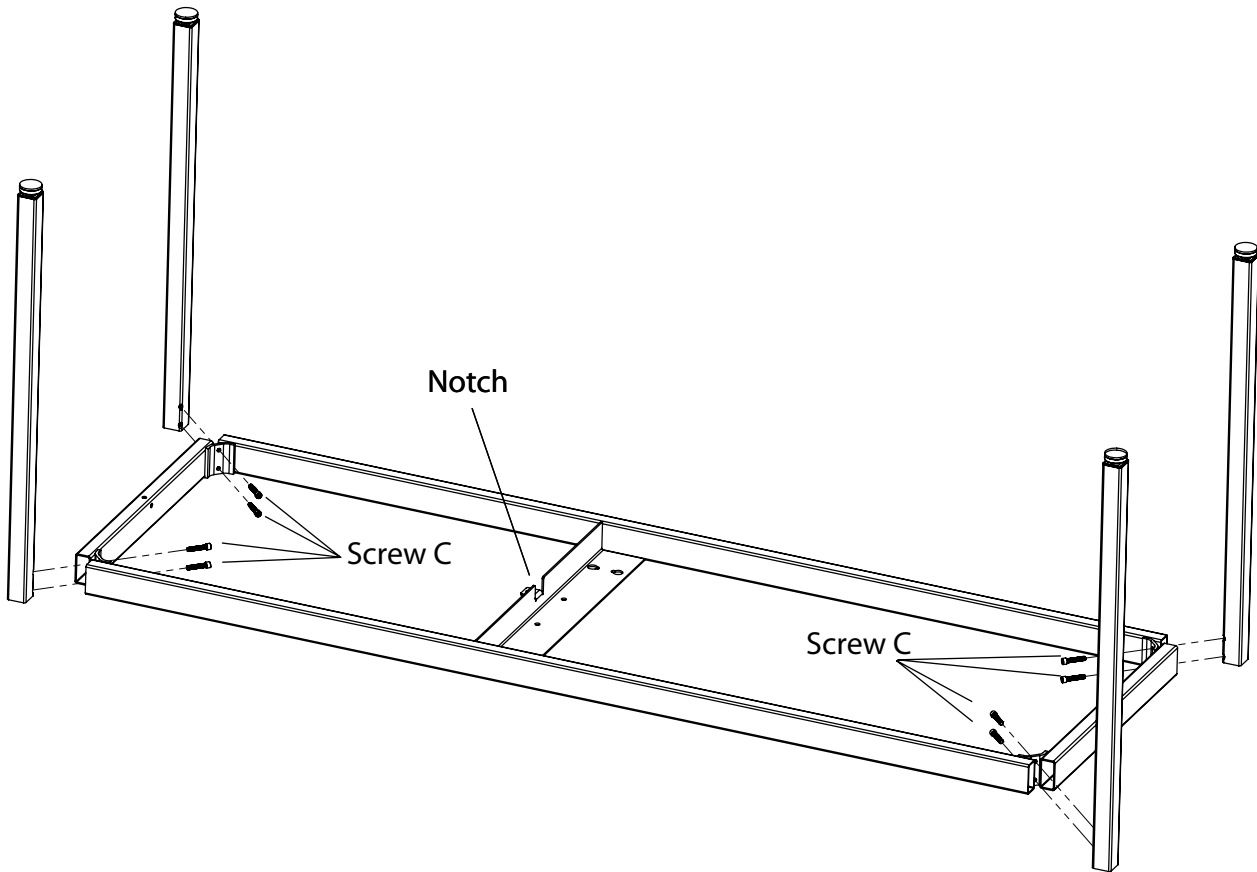
Washer M (Qty. 2)



Snap Rivet (Qty. 2)



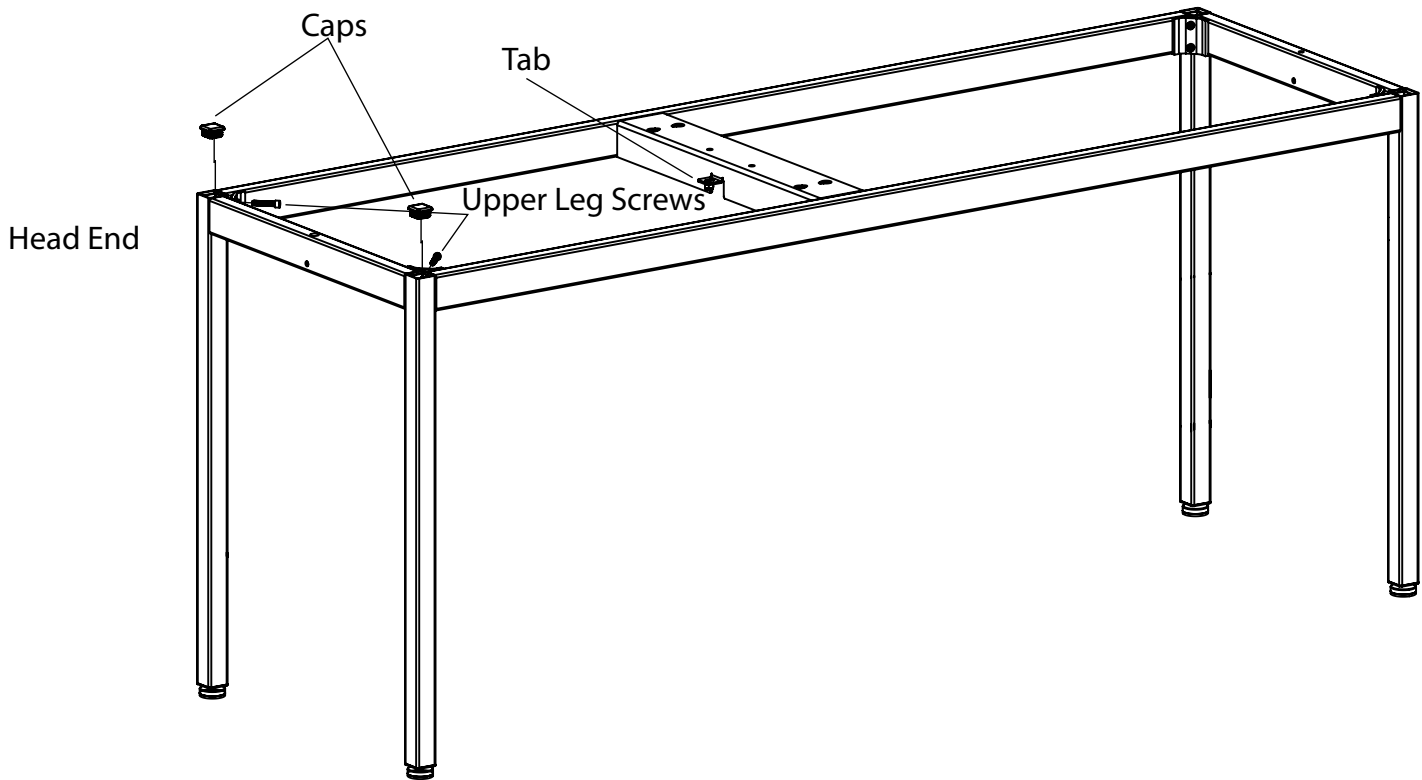
MODELS 2030 and 2040 STEP 1



STEP A: Start with table frame inverted: note the position of the Notch in the drawing above is facing upwards.

STEP B: Position legs (see drawing above). Insert Screws C (1/4"-20 x 1 1/4") by hand. Tighten screws using Allen Wrench provided.

MODELS 2030 and 2040 STEP 2

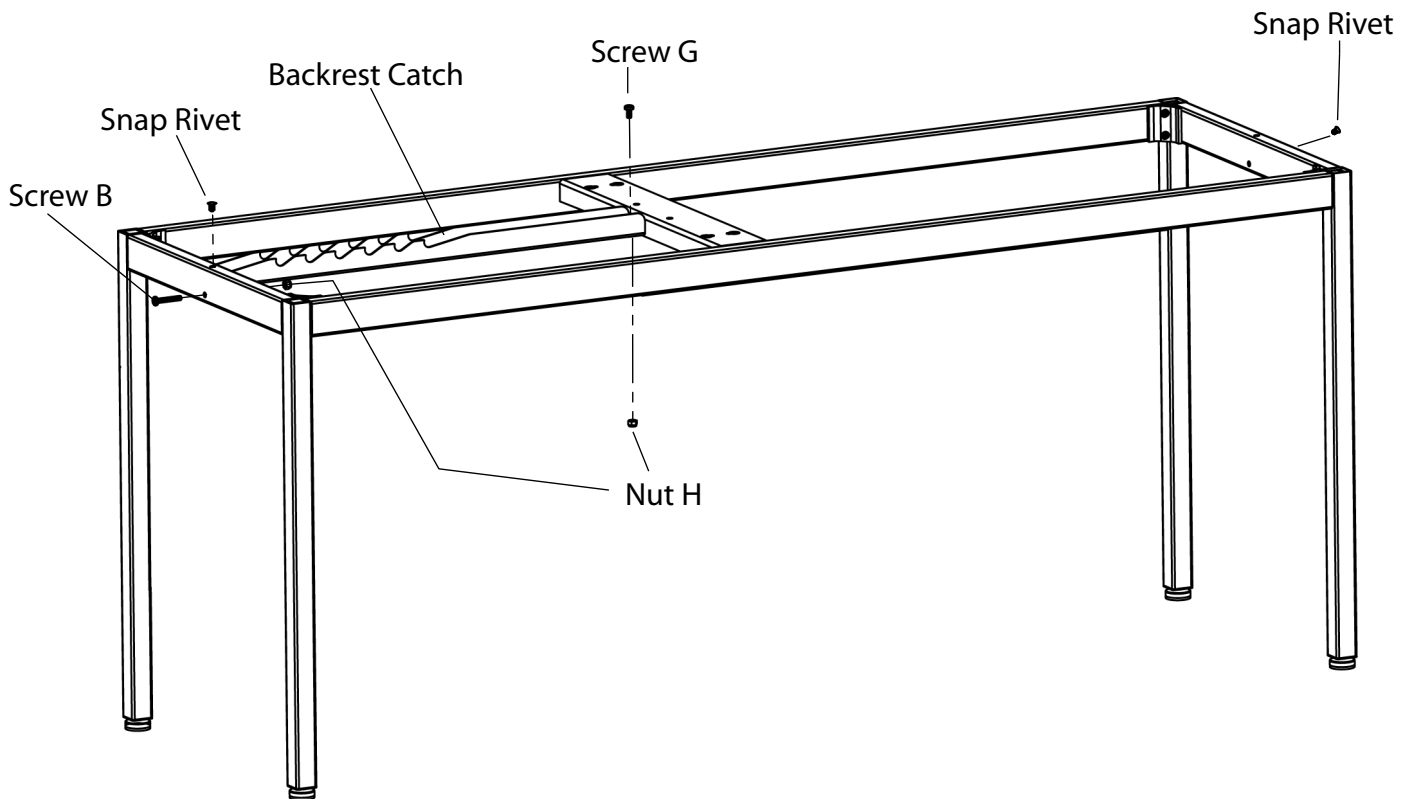


STEP A: Remove 2 Upper Leg Screws at Head End of the Table, one on each of the two legs. (See illustration above.)

STEP B: Insert Caps into two leg tops and seat with a rubber mallet.

STEP C: Install and tighten Upper Leg Screws.

MODELS 2030 and 2040 STEP 3



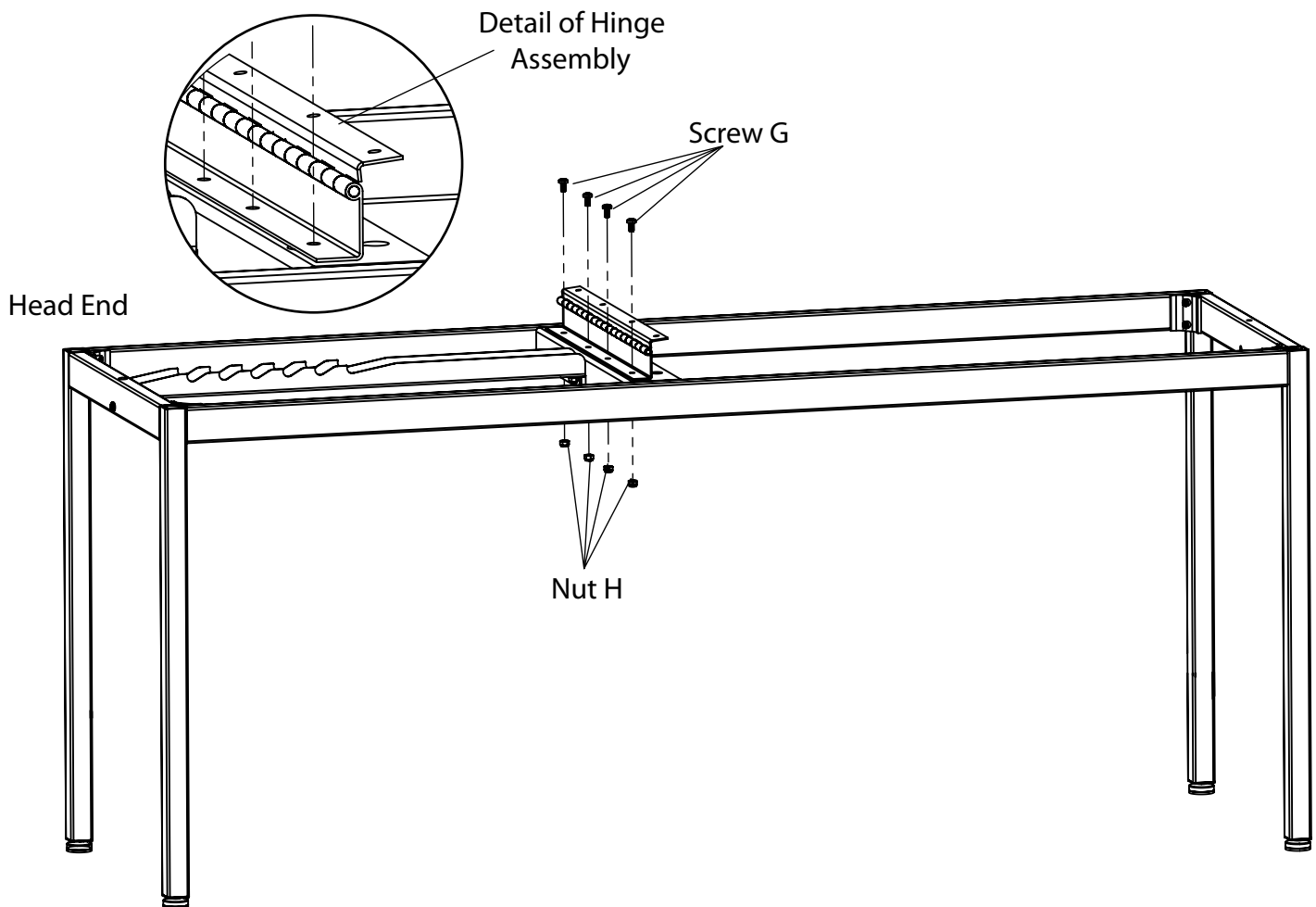
STEP A: Install Backrest Catch as shown in the drawing above.

CAUTION ⚠ The Backrest Catch needs to be positioned on top of the Tab shown in STEP 2.

STEP B: STEP B: Install Screw B (1/4"-20 x 2") through frame rail and into Backrest Catch and tighten Nut H (1/4"-20). Insert Screw G (1/4"-20 x 1/2") through Backrest Catch and Tab. Tighten Nut H onto Screw G.

STEP C: Install two Snap Rivets into the frame rail as shown.

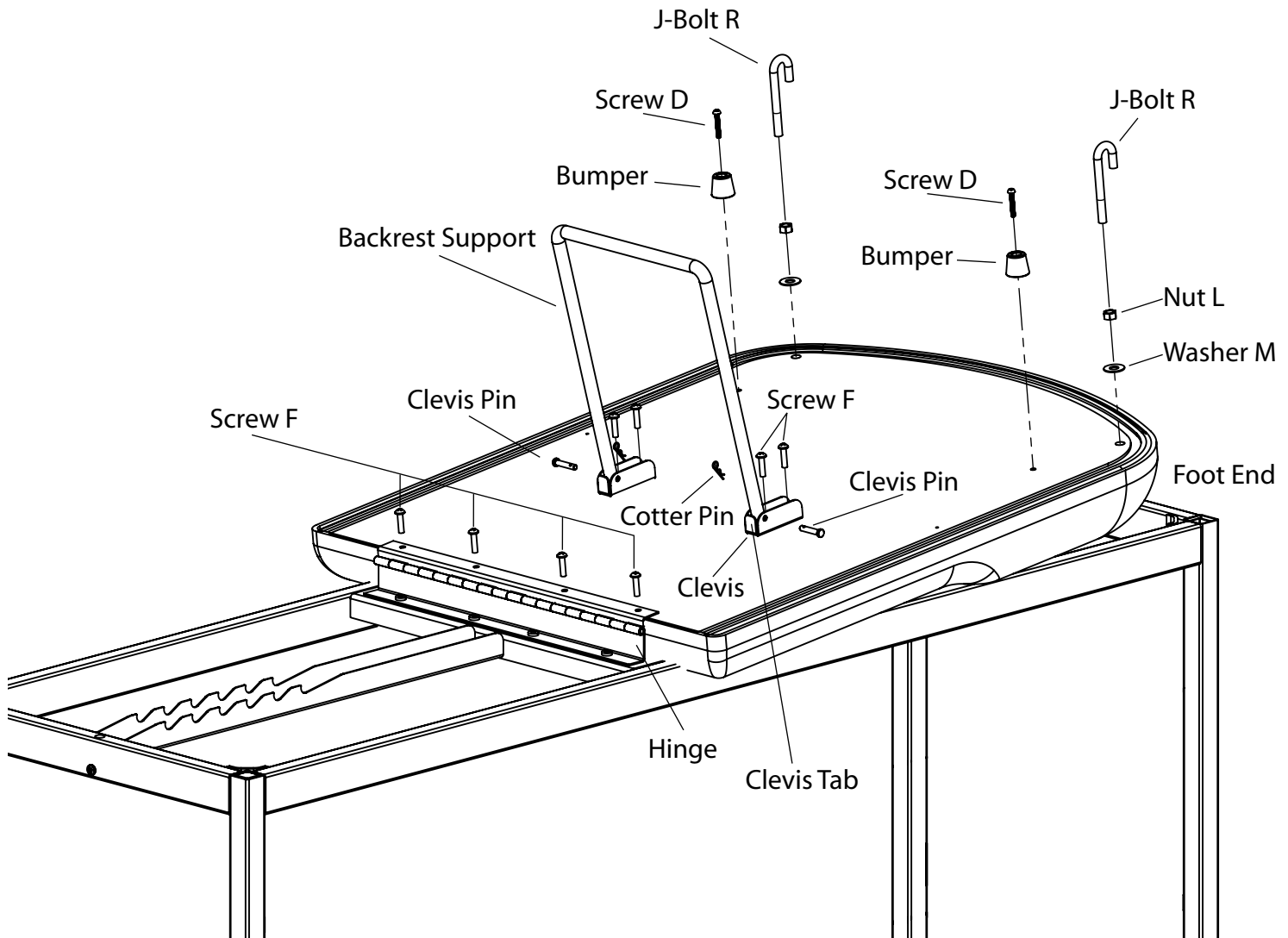
MODELS 2030 and 2040 STEP 4



STEP A: Align holes in Hinge with holes in frame. Hinge must be oriented as shown with Hinge mounting flange facing the Head End of the table.

STEP B: Install 4 Screws G (1/4"-20 x 1/2") into the Hinge and through the frame. Fasten with 4 Nuts H (1/4"-20) and tighten.

MODELS 2030 and 2040 STEP 5



STEP A: Lay upholstered backrest on Foot End of frame as shown.

STEP B: Slide backrest down until it bumps up against Hinge.

STEP C: Insert the four backrest-to-hinge Screws F (1/4"-20 x 1") and tighten.

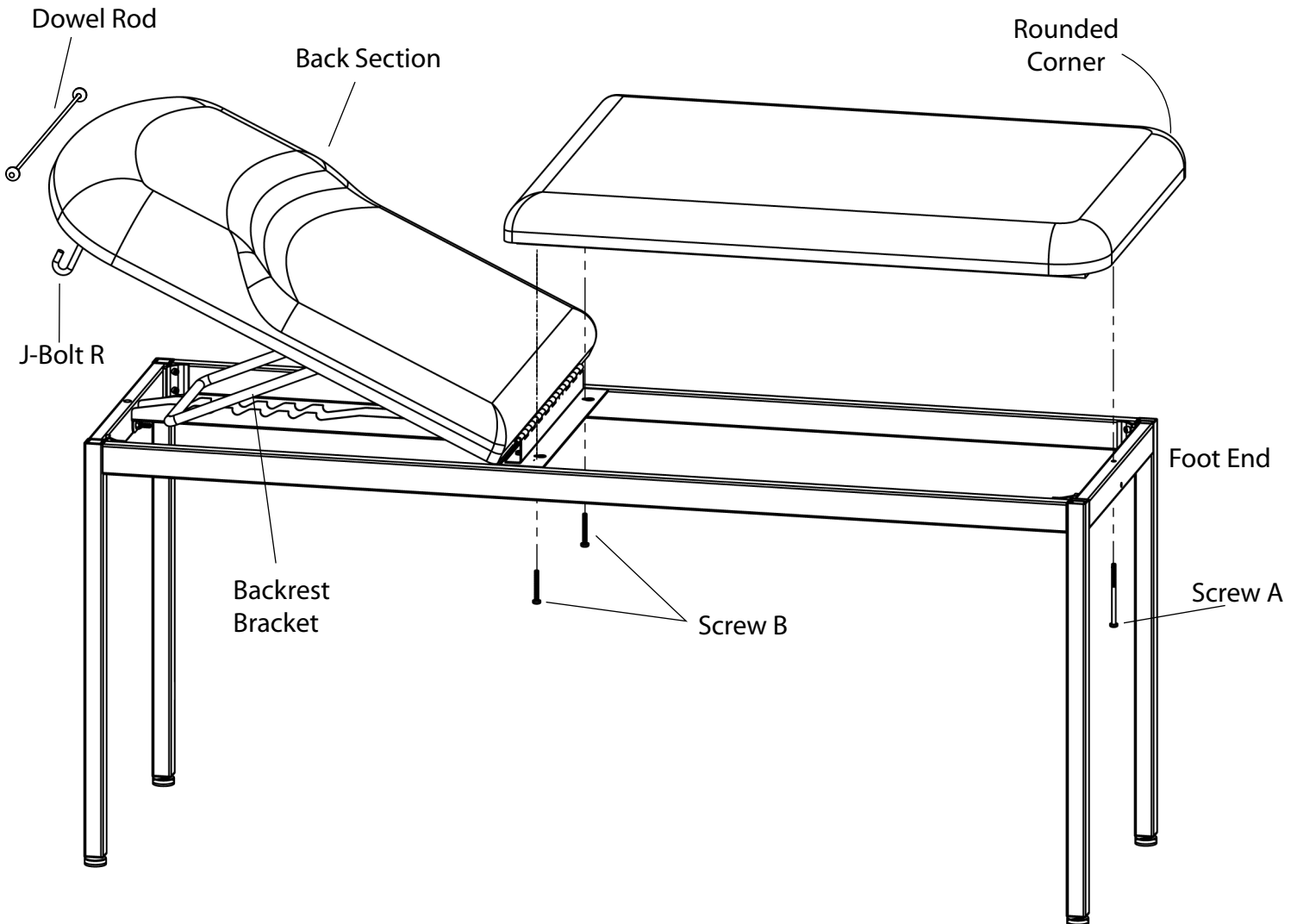
STEP D: Insert Screws F (1/4"-20 x 1") through Clevises and tighten. Note Clevis Tab orientation.

STEP E: Install Backrest Support with Clevis Pins and Cotter Pins.

STEP F: Insert Screws D (10-24 x 1 1/4") through Bumpers and tighten.

STEP G: Thread Nut L (3/8") onto J-Bolt R. Place Washer M onto J-Bolt and thread into backrest as shown. Position J-Bolt toward head end of table as shown and tighten nut against backrest.

MODELS 2030 and 2040 STEP 6



STEP A: Rotate Back Section until Backrest Bracket is engaged or top is horizontal on frame.

STEP B: Set upholstery bottom on frame, with Rounded Corners placed at the Foot End of the table.

STEP C: Install Screw A (1/4"-20 x 4") through frame and into upholstery.

STEP D: Install 2 Screws B (1/4"-20 x 2") through frame and into upholstery.

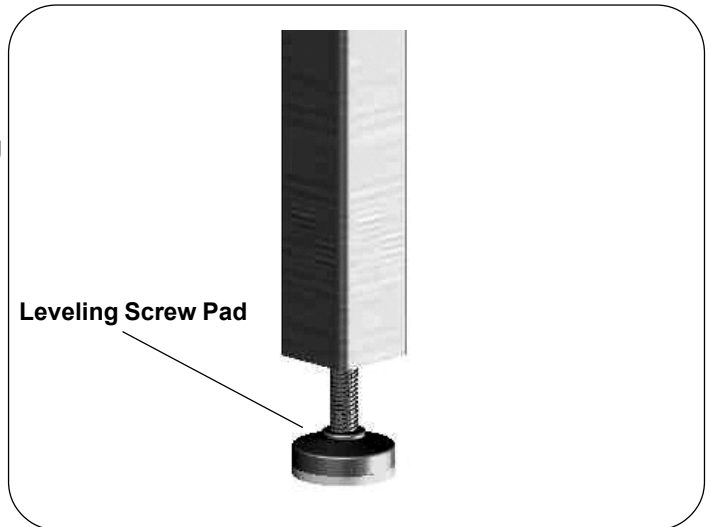
STEP E: Tighten Screws.

STEP F: Slide the Dowel Rod through the paper roll and hang the Dowel Rod on the J-Bolts. Ensure a secure fit before using the paper roll dispenser.

INSTALLATION

Leveling the Table

A Leveling Screw Pad is located at each corner under the table's base. Adjust the four Leveling Screw Pads, by turning them up or down, to achieve a solid, level installation.

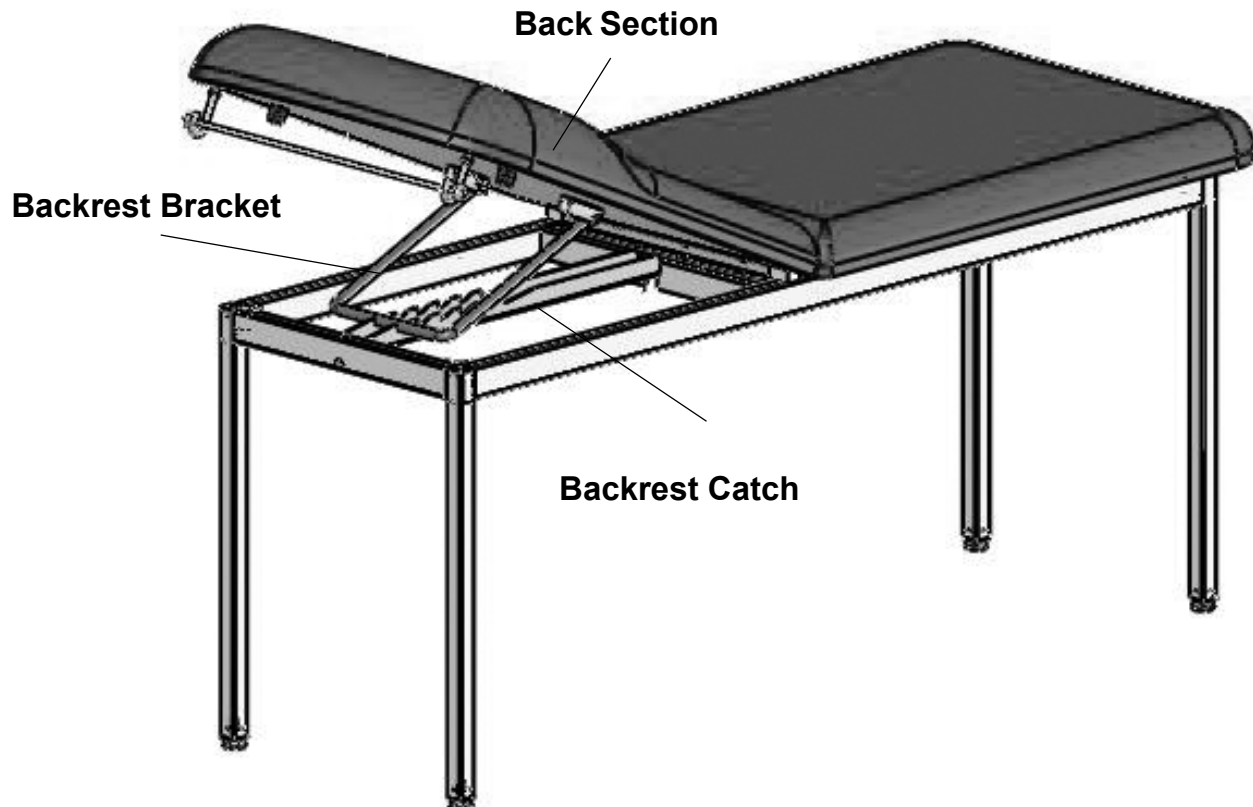


OPERATION

Back Section

To Raise Back Section: Lift Back Section of upholstery to desired inclination and secure Backrest Bracket into one of the six Backrest Catch slots.

To Lower Back Section: Lift Back Section of upholstery and lift Backrest Bracket out of the Backrest Catch while lowering the Back Section.



MAINTENANCE

Preventative Maintenance

- Inspect the mechanical functions to ensure satisfactory operation.
- Check fasteners to make sure they are present and secured tightly.

Cleaning

Upholstery

Regular care should be maintained by daily wiping with a damp cloth or sponge and periodic cleaning with a mild soap and water solution. Let air dry before placing anything on top of upholstery.

WARNING

The upholstery material that covers the top of the table is resistant to most medicinal-type stains, but may be damaged by solvents and dyes. Remove any fluids which are spilled on the upholstery immediately. All surfaces should be cleaned within your facilities guidelines concerning antimicrobials and bloodborne pathogens.

Painted Metal Surfaces

Wipe all painted metal surfaces with a clean cloth at least once a week.

ACCESSORIES

Description	Reorder No.	Use/Restrictions
Replacement Upholstery	210115-XX 220115-XX	Intended Use - Replacement top with hardware for 2030 and 2040 Treatment Tables in 18 standard colors.
Special Upholstery	210115-SP 220115-SP	Intended Use - Allows the purchase of specialty vinyls in different colors with the model 2030 and 2040 Treatment Tables. (Additional charges may apply.)
Front Drawer Organizer	100407	Intended Use - Optional front drawer dividers for separation and organization.
Paper Straps	10196	Intended Use - Secures paper in two locations to table.

LIMITED WARRANTY

The Brewer Company GENERAL TERMS AND CONDITIONS

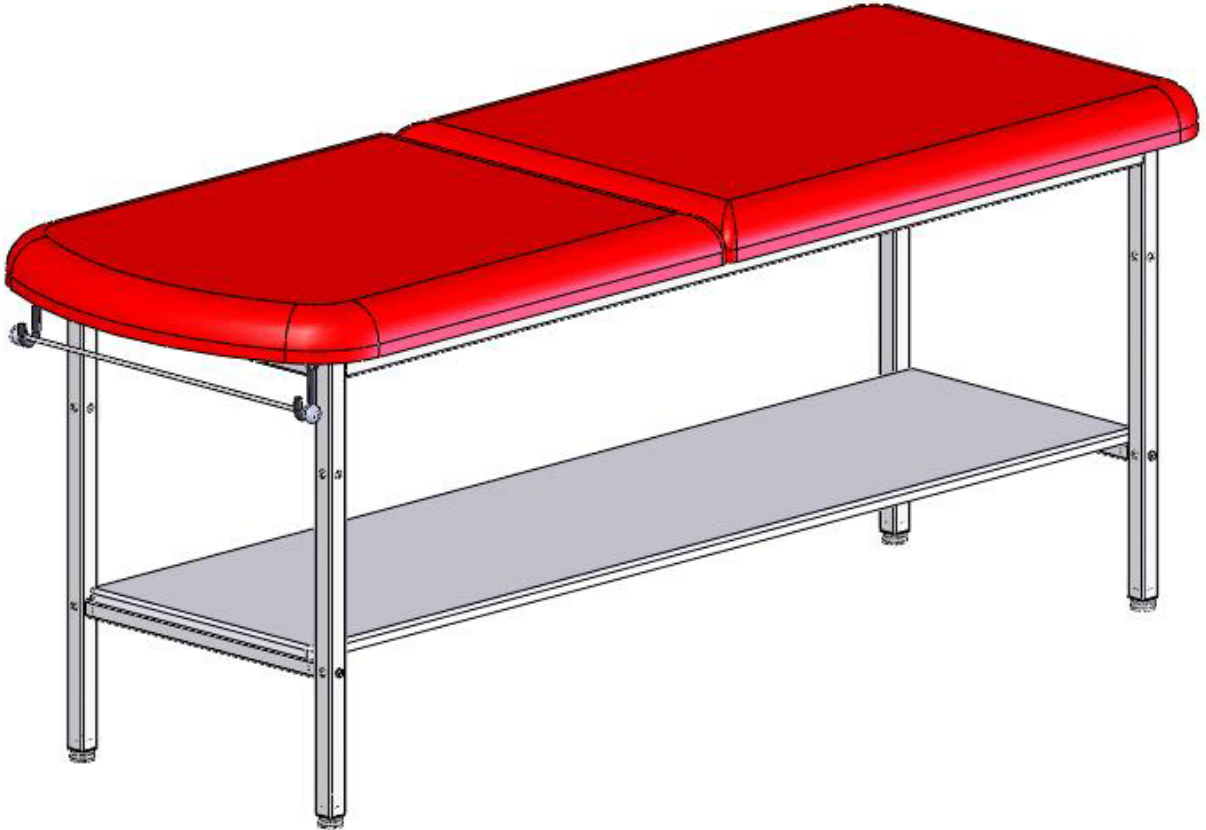
Warranty: The Brewer Company warrants its products to be free from defects in parts and workmanship under normal use and service for a period of three (3) years from date of shipment. The Brewer Company warrants its power tables to be free from defects in parts and workmanship under normal use and service for a period of three (3) years from date of shipment. The Brewer Company warrants its exam tables to be free from defects in parts and workmanship under normal use and service for a period of three (3) years from date of shipment. The Brewer Company warrants its lighting products to be free from defects in parts and workmanship under normal use and service for a period of one (1) year from date of shipment. The Brewer Company will not be responsible for any Product failure due to abuse, misuse, modification or improper use or for any use which exceeds the published capacity of the Product. Products returned by prepaid freight for inspection and found defective will, at the option of The Brewer Company, be repaired or replaced at no charge, but no claim for outside labor or other charges will be allowed. Products must not be returned without proper written authorization from The Brewer Company. Requests for authorization must be in writing and accompanied by the original purchase order, The Brewer Company invoice number and a copy of the invoice for the Product. THIS WARRANTY IS EXCLUSIVE AND IN LIEU OF ALL OTHER WARRANTIES AND REMEDIES WHATSOEVER, INCLUDING BUT NOT LIMITED TO IMPLIED WARRANTIES OF MERCHANTABILITY AND/OR FITNESS FOR A PARTICULAR PURPOSE. NO AGENT, EMPLOYEE, OR REPRESENTATIVE OF THE BREWER COMPANY HAS ANY AUTHORITY TO MAKE ANY AFFIRMATION, REPRESENTATION, OR WARRANTY NOT SET FORTH IN THESE TERMS AND CONDITIONS CONCERNING ANY PRODUCTS OF THE BREWER COMPANY. THE BREWER COMPANY SHALL HAVE NO LIABILITY WHATSOEVER FOR DAMAGES CAUSED BY TRANSPORTATION, ACCIDENTS, FIRE, UNAUTHORIZED ALTERATION, OR NORMAL WEAR OR ABUSE, NOR SHALL THE BREWER COMPANY HAVE ANY LIABILITY WHATSOEVER FOR ANY INCIDENTAL OR CONSEQUENTIAL DAMAGES, including without limitation, lost profits or any such damages arising from (a) the design, manufacture, sale, delivery, installation, repair, operation or use of products of The Brewer Company or any part thereof, (b) any actual or alleged failure or defect in products of The Brewer company or any part thereof, or (c) any actual or alleged breach or non-performance by The Brewer Company of this limited warranty.

Freight Claims: Upon receipt, merchandise should be carefully examined to ascertain that proper amount has been received in good condition. Any claim for shortage or damage must be made with delivering carrier within five (5) days from receipt of goods. We do not assume any responsibility for loss or damage in transit, and compensation for such loss must be obtained from the carrier.

BrewerElement

TREATMENT TABLE

Models 2110



Overview	2	Installation.....	7
Tools Needed	2	Maintenance	8
Hardware.....	2	Accessories	8
Assembly.....	3-6	Limited Warranty	8

OVERVIEW

Perform the following sequence in order when setting up the table:

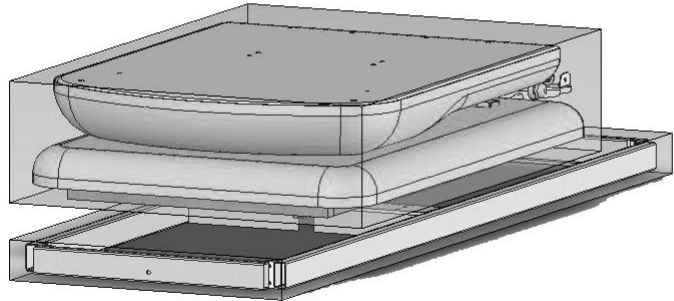
- Unpacking
- Assembly
- Leveling the Table
- Installing the Paper Roll

NOTE: Save all packaging in case re-shipment is required.

NOTE: Inspect all boxes and contents for damage. Report any damage to the carrier immediately.

MODEL 2110

For the above model you will receive two separate cartons: a frame carton, and an upholstery carton. Inspect both carefully for shipping incurred damage.



⚠ WARNING
Two or more people should assist in moving the table. Use proper lifting techniques when lifting. Failure to do so could result in serious injury!

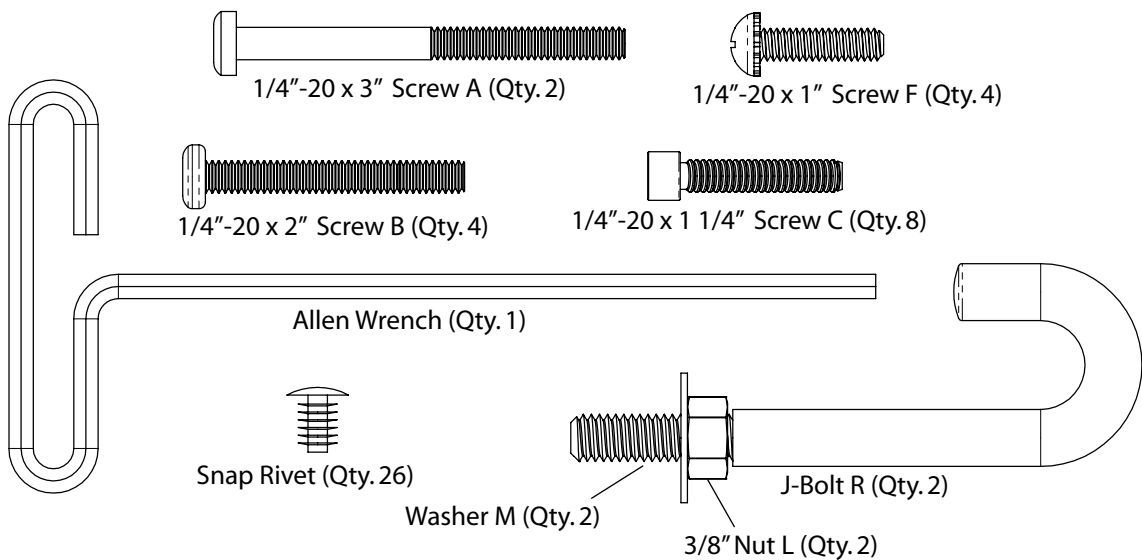
⚠ CAUTION
To avoid damaging the table's upholstery or painted surfaces, DO NOT use a knife or any other sharp object to open the packaging.

MODEL 2110 TOOLS NEEDED

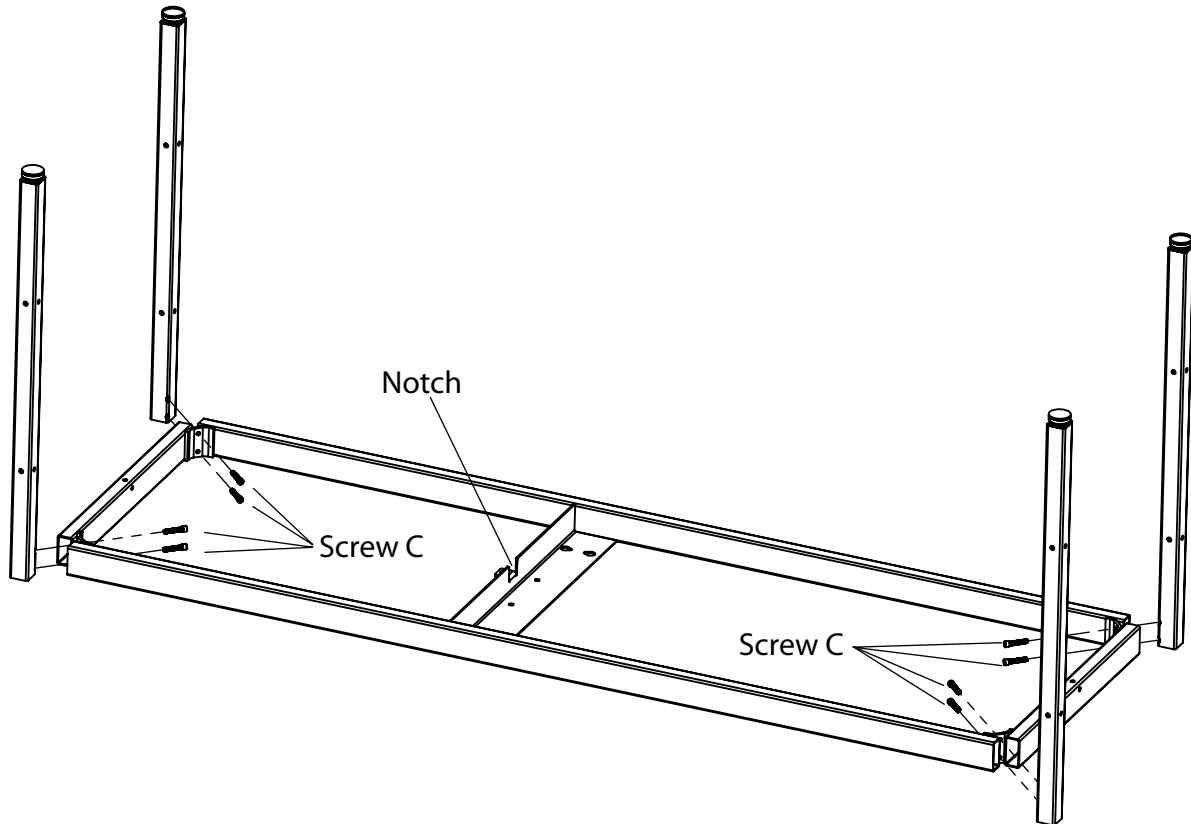
9/16" Open End Wrench

Phillips Screw Driver

MODEL 2110 HARDWARE



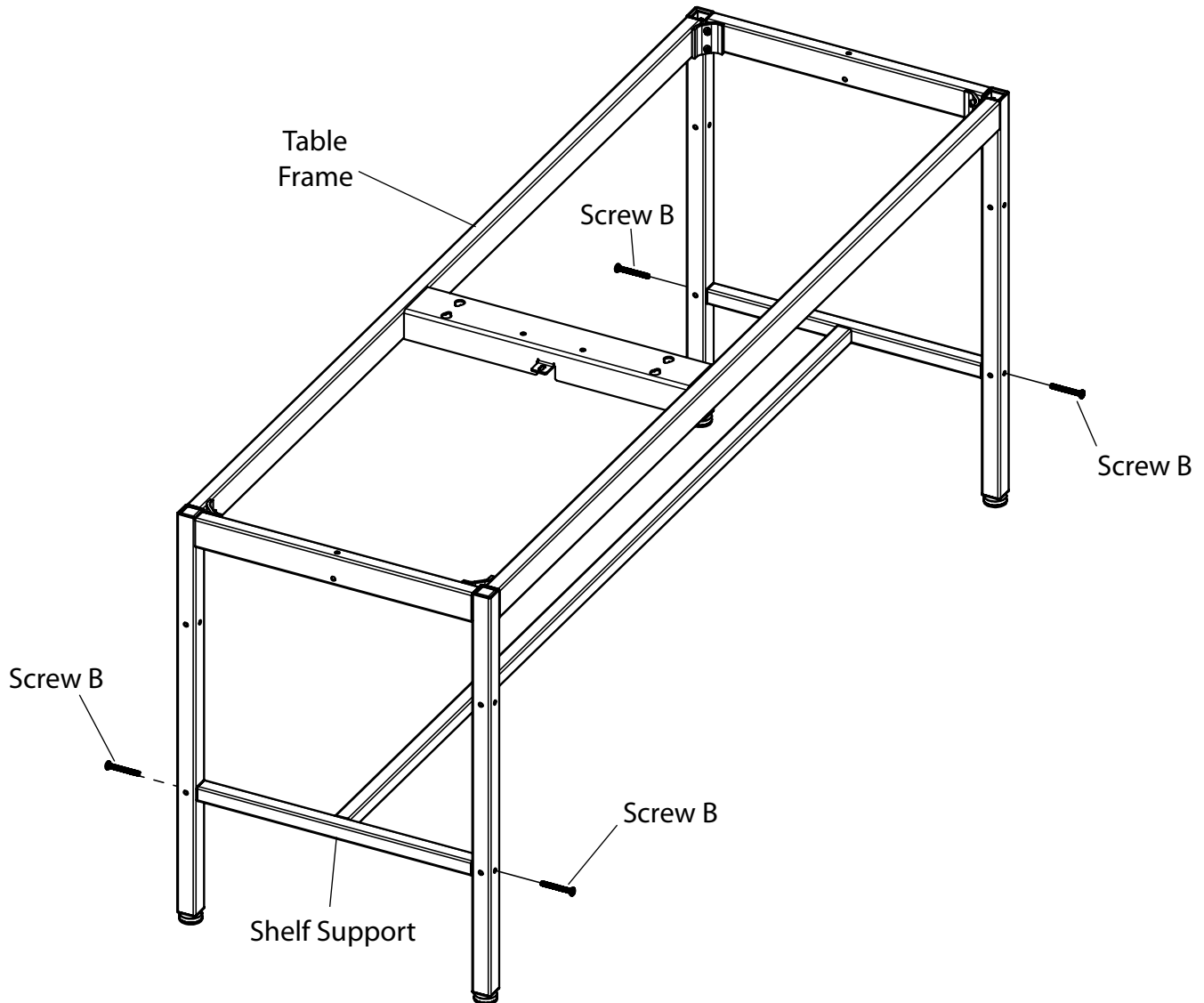
MODEL 2110 STEP 1



STEP A: Start with table frame inverted: note the position of the Notch in the drawing above is facing upwards.

STEP B: Position legs (see drawing above). Insert Screws C (1/4"-20 x 1 1/4") and snug up by hand only at this time.

MODEL 2110 STEP 2



STEP A: With table in the upright position install Shelf Support using 4 Screws B (1/4"-20 x 2"). Tighten screws .

STEP B: Tighten eight screws attaching legs to Table Frame from STEP 1 using Allen Wrench provided.

MODEL 2110 STEP 3

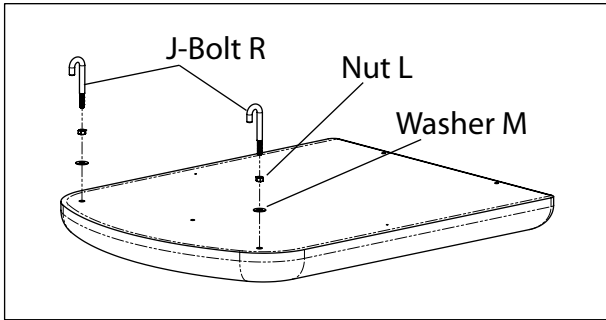
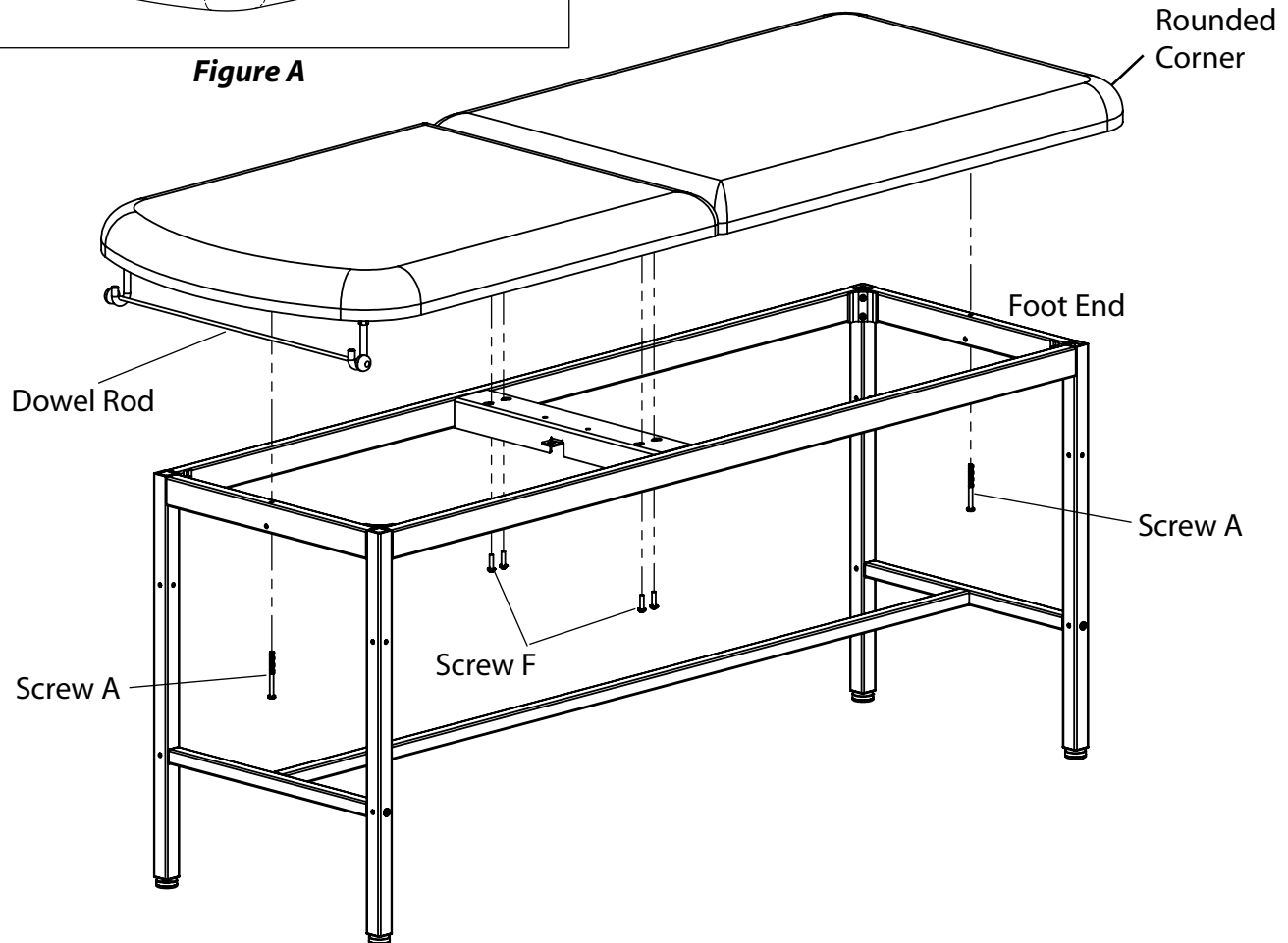


Figure A

STEP A: Install J-Bolts as shown in Figure A. Thread Nut L (3/8") completely onto J-Bolt. Place Washer M onto J-Bolt and thread into Backrest as shown in Figure A. Position J-Bolt toward head of table as shown and tighten nut against backrest.



STEP B: Set upholstery top and bottom on frame, with Rounded Corners of the upholstery bottom placed at the Foot End of the table.

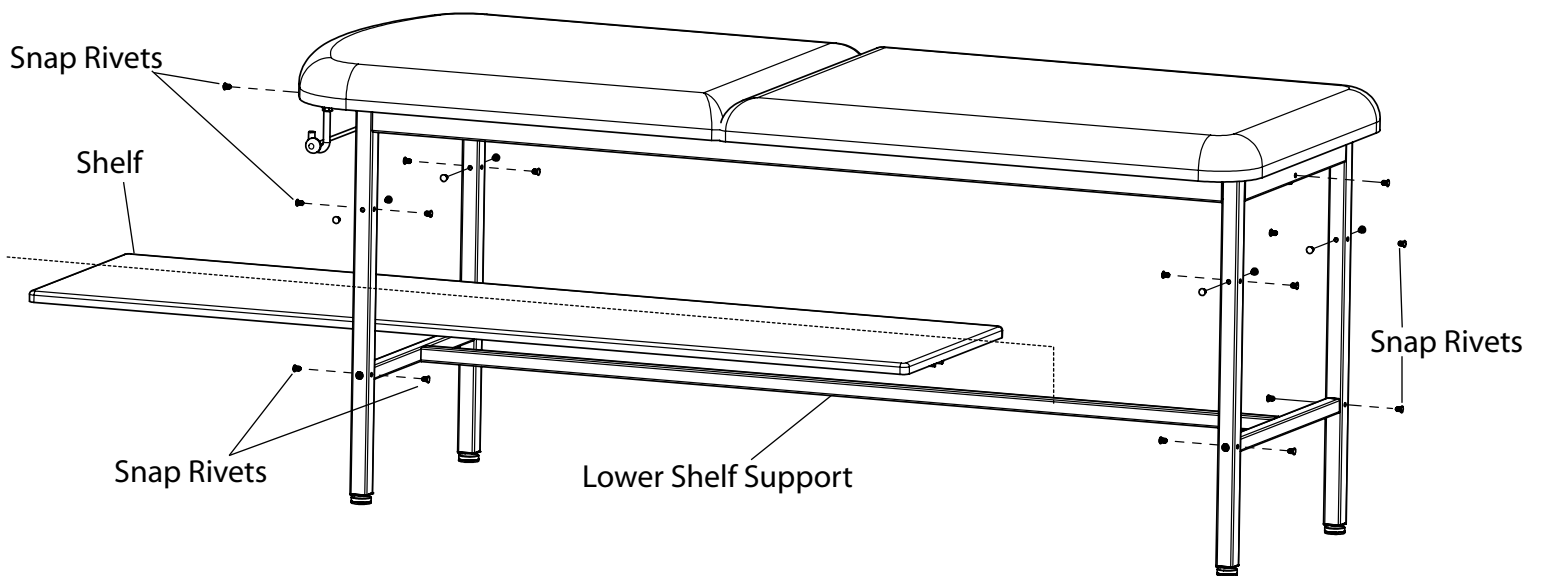
STEP C: Install 2 Screws A (1/4"-20 x 3") through frame and into upholstery.

STEP D: Install 4 Screws F (1/4"-20 x 1") through frame and into upholstery.

STEP E: Tighten Screws.

STEP F: Slide the Dowel Rod through the paper roll and hang the Dowel Rod on the J-Bolts. Ensure a secure fit before using the paper roll dispenser.

MODELS 2110 STEP 4



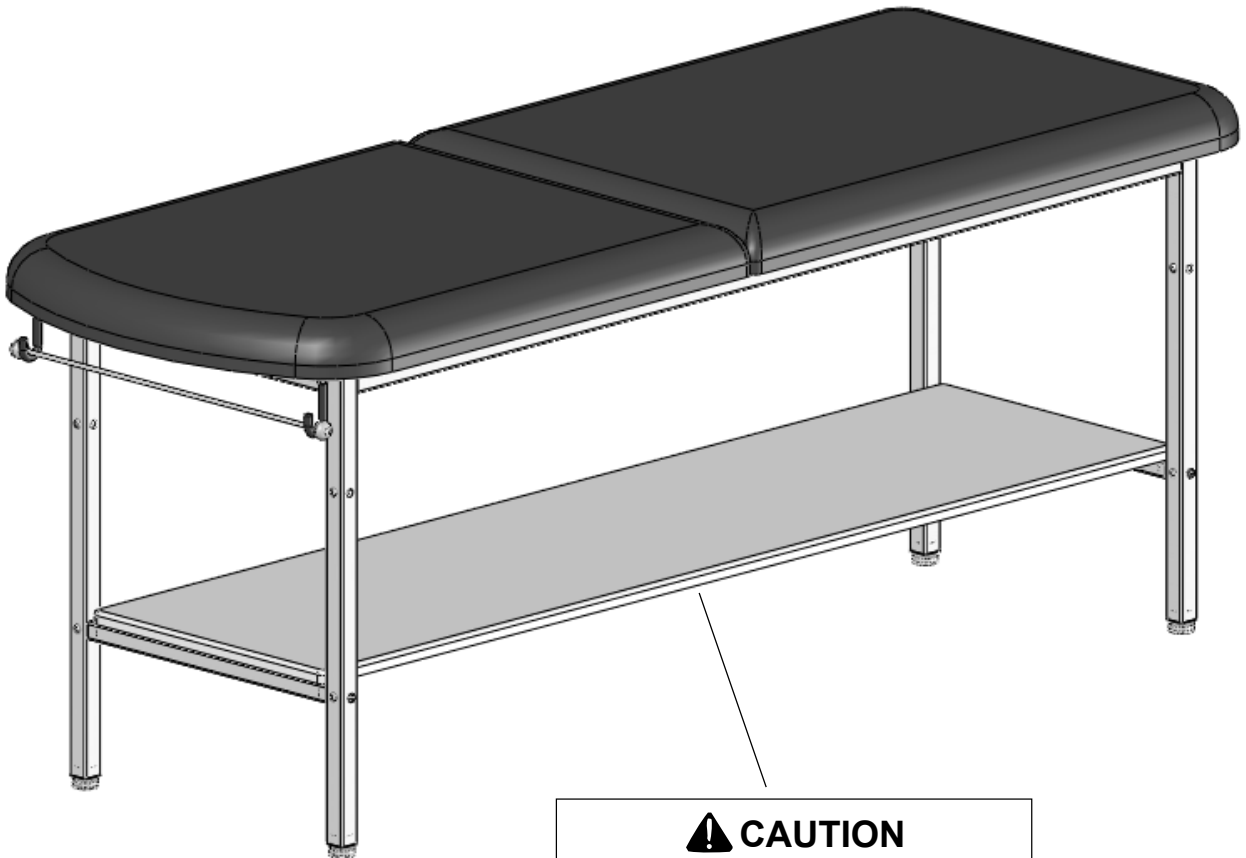
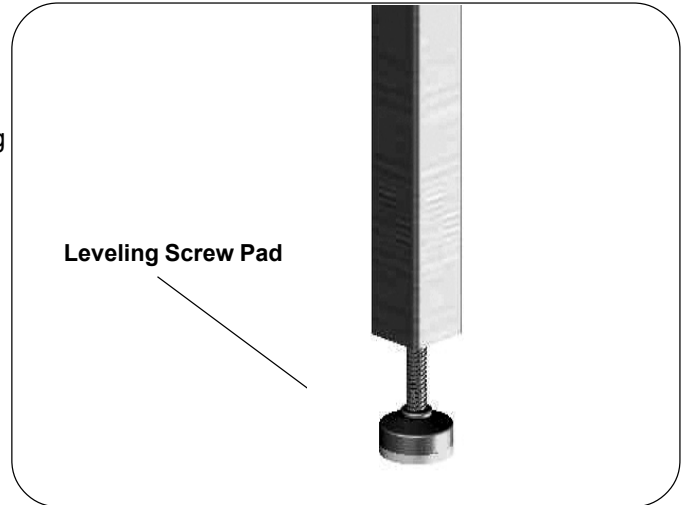
STEP A: Insert the Shelf through either end of the table. Position the Shelf so that the locating blocks, on the bottom of the Shelf, are straddling the Lower Shelf Support.

STEP B: Install Snap Rivets into unused holes in legs and frame (see illustration above).

INSTALLATION

Leveling the Table

A Leveling Screw Pad is located at each corner under the table's base. Adjust the four Leveling Screw Pads, by turning them up or down, to achieve a solid, level installation.



⚠ CAUTION
DO NOT USE SHELF AS A STEP!

MAINTENANCE

Preventative Maintenance

- Inspect the mechanical functions to ensure satisfactory operation.
- Check fasteners to make sure they are present and secured tightly.

Cleaning

Upholstery

Regular care should be maintained by daily wiping with a damp cloth or sponge and periodic cleaning with a mild soap and water solution. Let air dry before placing anything on top of upholstery.

WARNING

The upholstery material that covers the top of the table is resistant to most medicinal-type stains, but may be damaged by solvents and dyes. Remove any fluids which are spilled on the upholstery immediately. All surfaces should be cleaned within your facilities guidelines concerning antimicrobials and bloodborne pathogens.

Painted Metal Surfaces

Wipe all painted metal surfaces with a clean cloth at least once a week.

ACCESSORIES

Description	Reorder No.	Use/Restrictions
Replacement Upholstery	210115-XX 220115-XX	Intended Use - Replacement top with hardware for 2110 and 2120 Treatment Tables in 18 standard colors.
Special Upholstery	210115-SP 220115-SP	Intended Use - Allows the purchase of specialty vinyls in different colors with the model 2110 Treatment Tables. (Additional charges may apply.)
Front Drawer Organizer	100407	Intended Use - Optional front drawer dividers for separation and organization.
Paper Straps	10196	Intended Use - Secures paper in two locations to table.

LIMITED WARRANTY

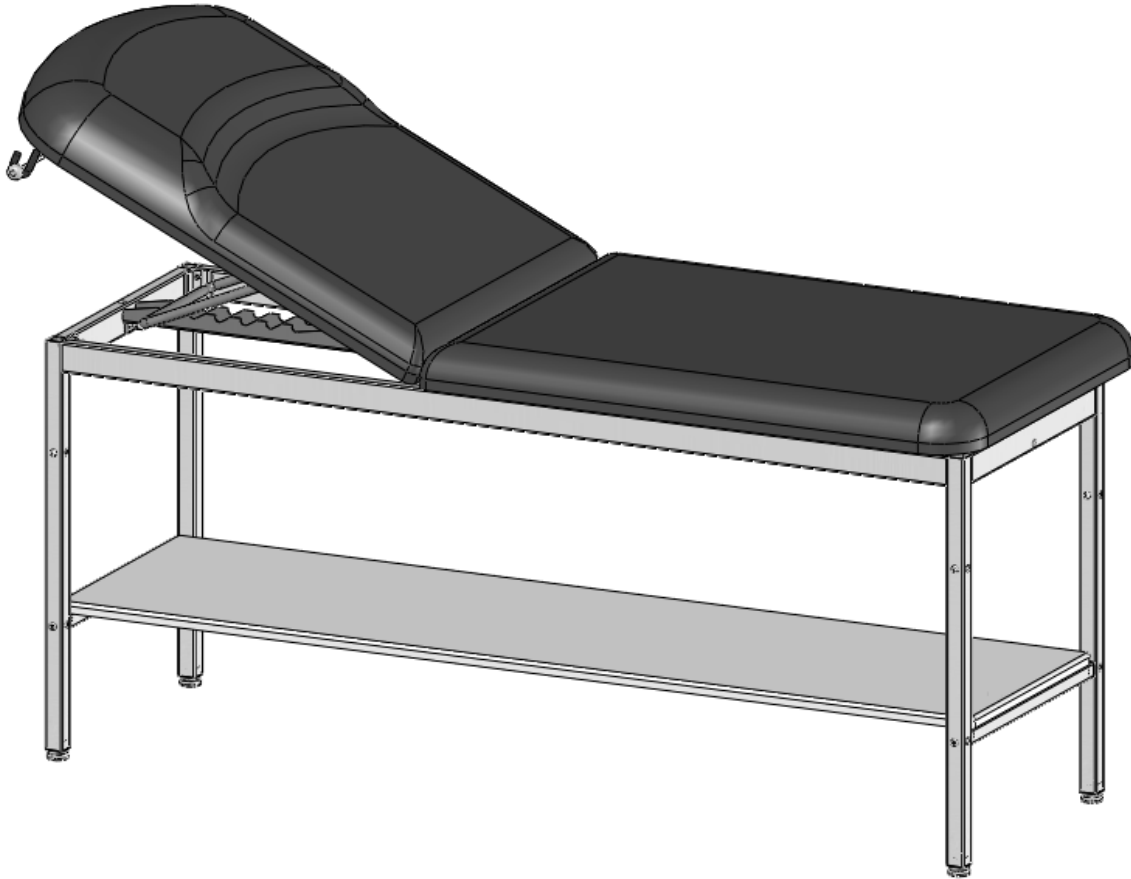
The Brewer Company GENERAL TERMS AND CONDITIONS

Warranty: The Brewer Company warrants its products to be free from defects in parts and workmanship under normal use and service for a period of three (3) years from date of shipment. The Brewer Company warrants its power tables to be free from defects in parts and workmanship under normal use and service for a period of three (3) years from date of shipment. The Brewer Company warrants its exam tables to be free from defects in parts and workmanship under normal use and service for a period of three (3) years from date of shipment. The Brewer Company warrants its lighting products to be free from defects in parts and workmanship under normal use and service for a period of one (1) year from date of shipment. The Brewer Company will not be responsible for any Product failure due to abuse, misuse, modification or improper use or for any use which exceeds the published capacity of the Product. Products returned by prepaid freight for inspection and found defective will, at the option of The Brewer Company, be repaired or replaced at no charge, but no claim for outside labor or other charges will be allowed. Products must not be returned without proper written authorization from The Brewer Company. Requests for authorization must be in writing and accompanied by the original purchase order, The Brewer Company invoice number and a copy of the invoice for the Product. THIS WARRANTY IS EXCLUSIVE AND IN LIEU OF ALL OTHER WARRANTIES AND REMEDIES WHATSOEVER, INCLUDING BUT NOT LIMITED TO IMPLIED WARRANTIES OF MERCHANTABILITY AND/OR FITNESS FOR A PARTICULAR PURPOSE. NO AGENT, EMPLOYEE, OR REPRESENTATIVE OF THE BREWER COMPANY HAS ANY AUTHORITY TO MAKE ANY AFFIRMATION, REPRESENTATION, OR WARRANTY NOT SET FORTH IN THESE TERMS AND CONDITIONS CONCERNING ANY PRODUCTS OF THE BREWER COMPANY. THE BREWER COMPANY SHALL HAVE NO LIABILITY WHATSOEVER FOR DAMAGES CAUSED BY TRANSPORTATION, ACCIDENTS, FIRE, UNAUTHORIZED ALTERATION, OR NORMAL WEAR OR ABUSE, NOR SHALL THE BREWER COMPANY HAVE ANY LIABILITY WHATSOEVER FOR ANY INCIDENTAL OR CONSEQUENTIAL DAMAGES, including without limitation, lost profits or any such damages arising from (a) the design, manufacture, sale, delivery, installation, repair, operation or use of products of The Brewer Company or any part thereof, (b) any actual or alleged failure or defect in products of The Brewer company or any part thereof, or (c) any actual or alleged breach or non-performance by The Brewer Company of this limited warranty.

Freight Claims: Upon receipt, merchandise should be carefully examined to ascertain that proper amount has been received in good condition. Any claim for shortage or damage must be made with delivering carrier within five (5) days from receipt of goods. We do not assume any responsibility for loss or damage in transit, and compensation for such loss must be obtained from the carrier.

BrewerElement TREATMENT TABLE

Models 2130 and 2140



Overview	2	Operation	11
Tools Needed	2	Maintenance	12
Hardware.....	2	Accessories	12
Assembly.....	3-10	Limited Warranty	12
Installation.....	11		

OVERVIEW

Perform the following sequence in order when setting up the table:

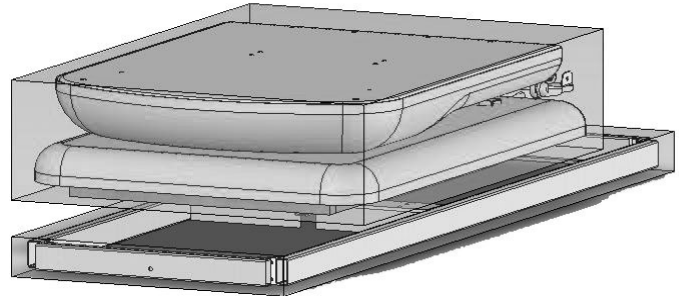
- Unpacking
- Assembly
- Leveling the Table
- Installing the Paper Roll

NOTE: Save all packaging in case re-shipment is required.

NOTE: Inspect all boxes and contents for damage. Report any damage to the carrier immediately.

MODELS 2130 & 2140

For the above models you will receive two separate cartons: a frame carton, and an upholstery carton. Inspect both carefully for shipping incurred damage.



⚠ WARNING

Two or more people should assist in moving the table. Use proper lifting techniques when lifting. Failure to do so could result in serious injury!

⚠ CAUTION

To avoid damaging the table's upholstery or painted surfaces, DO NOT use a knife or any other sharp object to open the packaging.

MODELS 2130 and 2140 TOOLS NEEDED

Rubber Mallet

9/16" Open End Wrench

Phillips Screw Driver

7/16" Socket or Wrench

MODELS 2130 and 2140 HARDWARE

1/4"-20 x 1/2" Screw G (Qty 5)

1/4"-20 x 1" Screw F (Qty 8)

1/4"-20 x 1 1/4" Screw C (Qty 8)

1/4"-20 Nut H (Qty 6)

Snap Rivet (Qty 26)

10-24 x 1 1/4" Screw D (Qty 2)

1/4"-20 x 2" Screw B (Qty 7)

Washer M (Qty. 2)

1/4"-20 x 4" Screw A (Qty 1)

3/8" Nut L (Qty. 2)

Allen Wrench (Qty. 1)

J-Bolt R (Qty. 2)

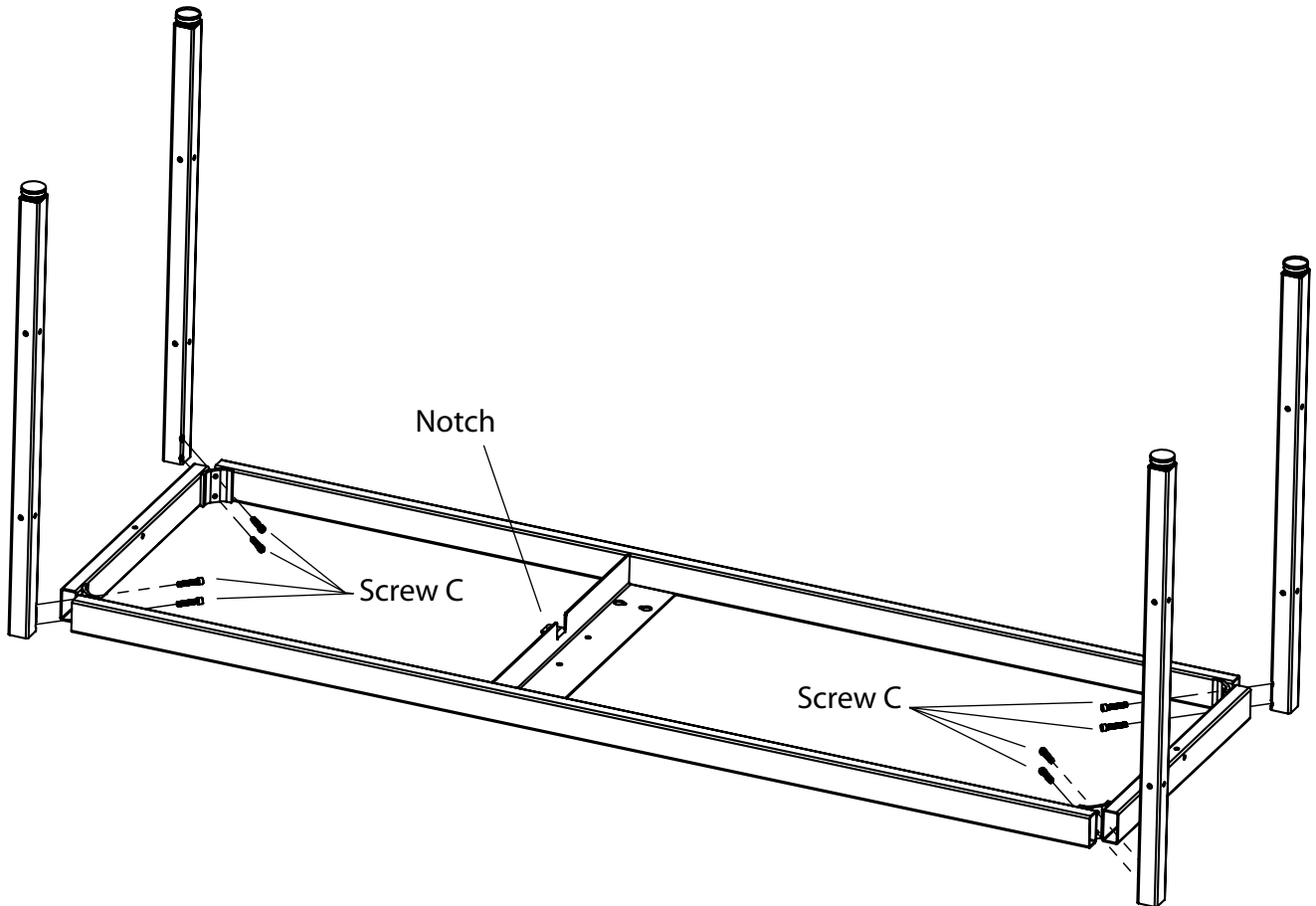
Bumper (Qty 2)

Cap (Qty 2)

Clevis Pin (Qty 2)

Cotter Pin (Qty 2)

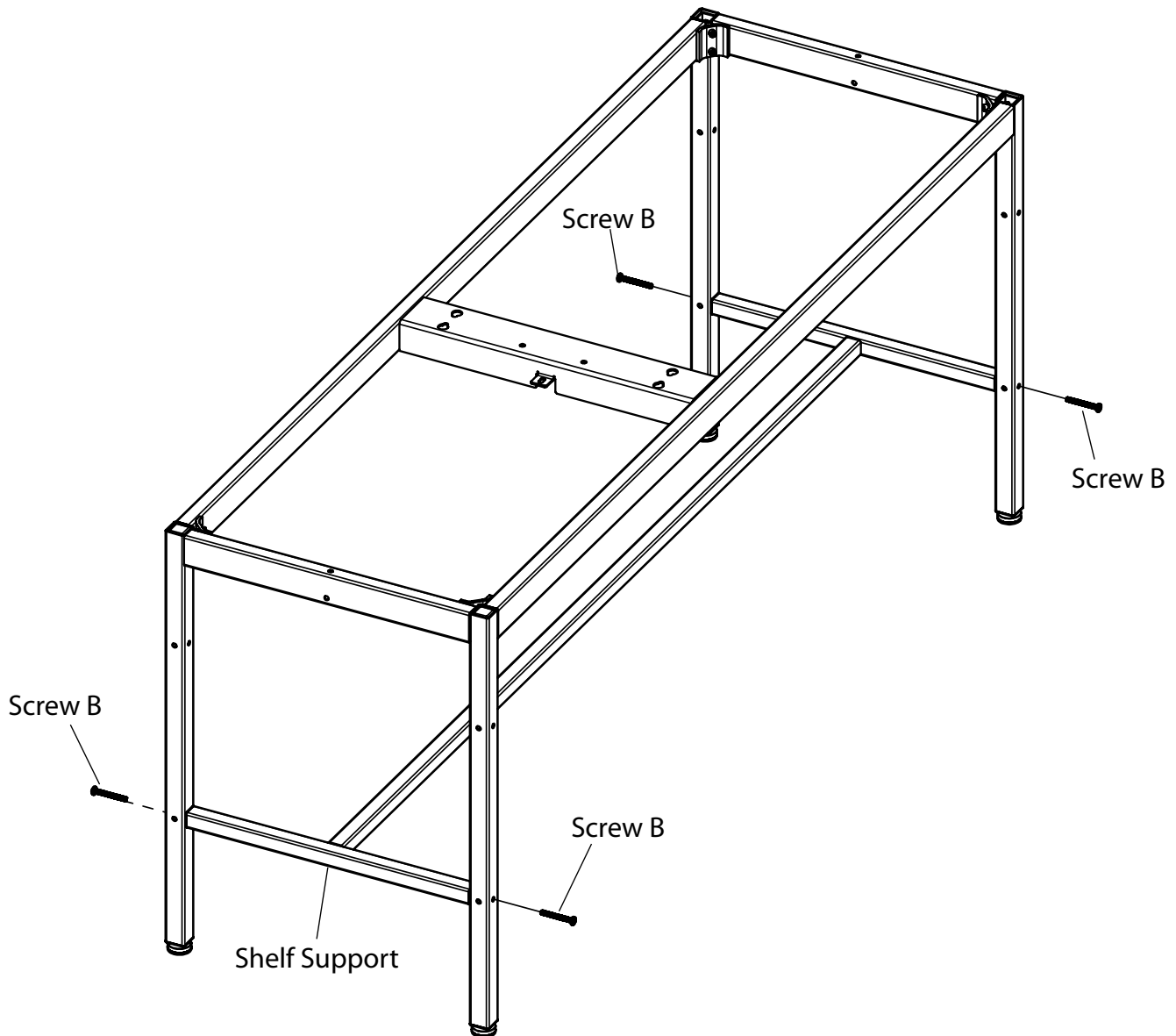
MODELS 2130 and 2140 STEP 1



STEP A: Start with table frame inverted: note the position of the Notch in the drawing above is facing upwards.

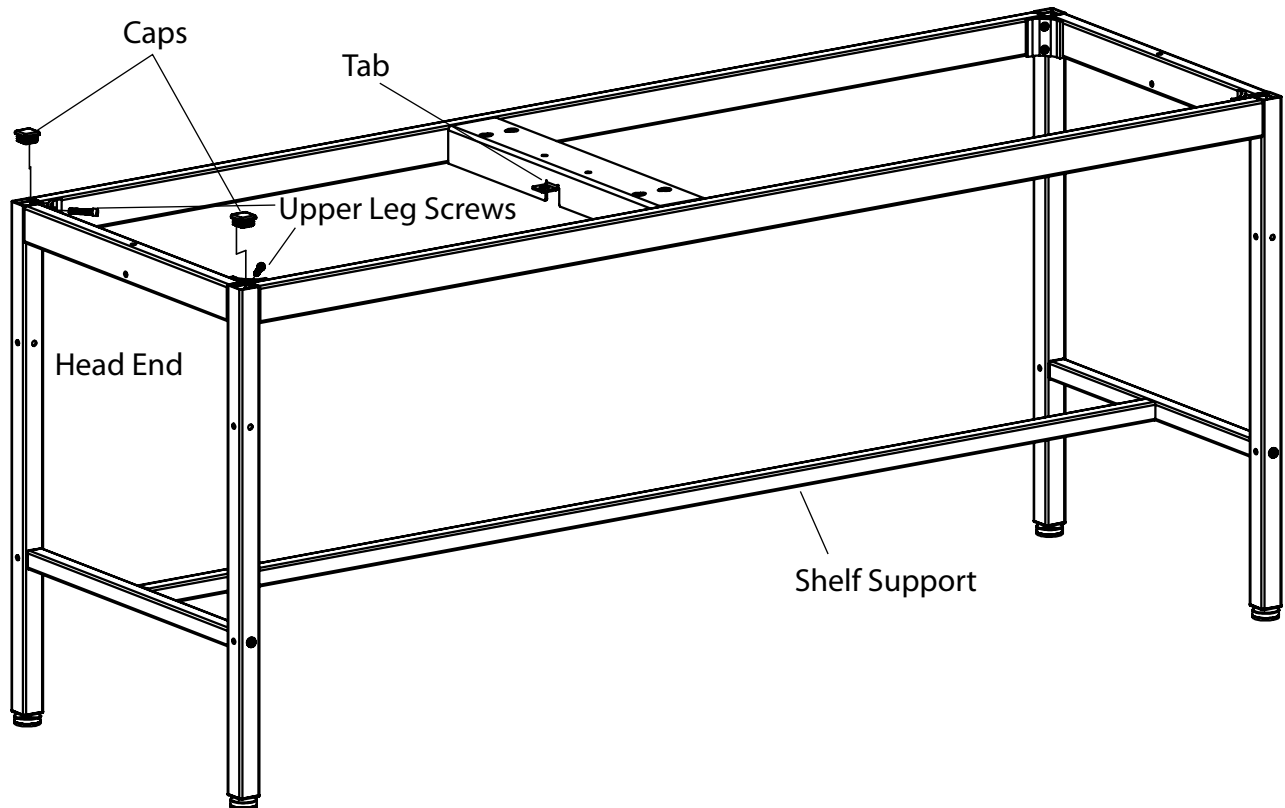
STEP B: Position legs (see drawing above). Insert Screws C (1/4"-20 x 1 1/4") and snug up by hand only at this time.

MODEL 2130 and 2140 STEP 2



STEP A :With table in the upright position install Shelf Support using 4 Screws B (1/4"-20 x 2"). Do not tighten at this time.

MODELS 2130 and 2140 STEP 3



STEP A: Remove 2 Upper Leg Screws at Head End of the Table, one on each of the two legs. (See illustration above.)

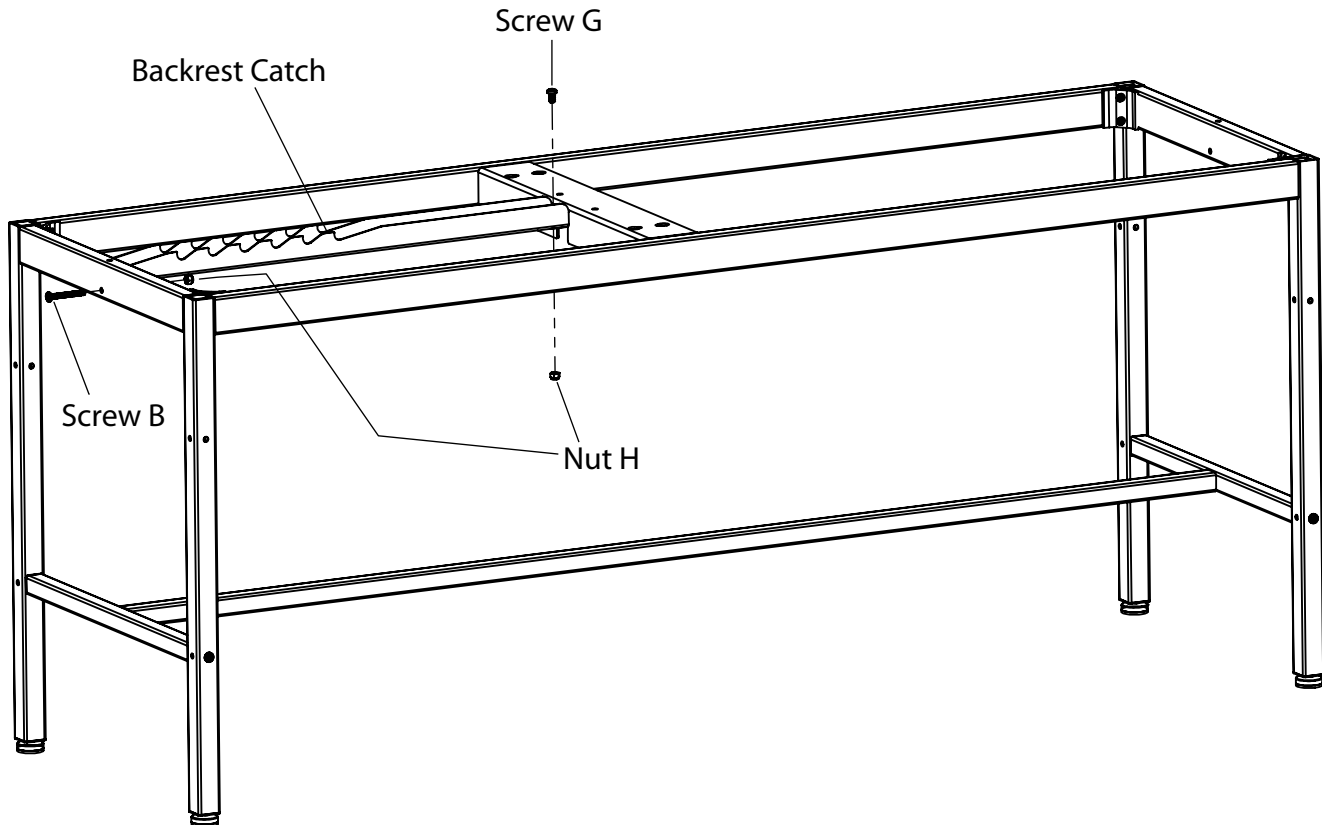
STEP B: Insert Caps into two leg tops and seat with a rubber mallet.

STEP C: Install Upper Leg Screws.

STEP D: **Tighten all screws at this time.**

- Legs to Frame (8 screws using Allen Wrench provided)
- Shelf Support to Legs (4 screws)

MODELS 2130 and 2140 STEP 4

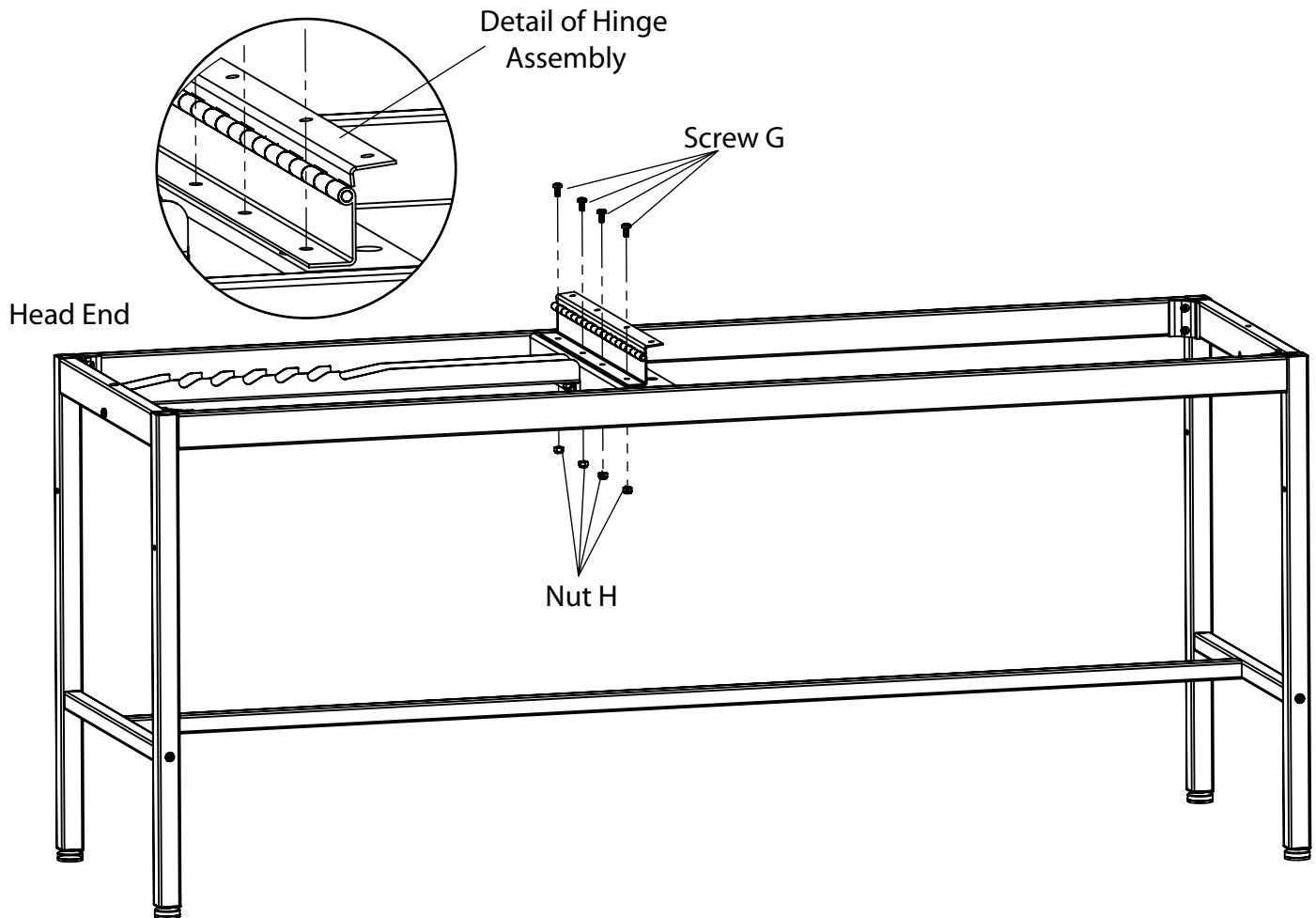


STEP A: Install Backrest Catch as shown in the drawing above.

CAUTION ⚠ The Backrest Catch needs to be positioned on top of the Tab shown in STEP 3.

STEP B: Install Screw B (1/4"-20 x 2") through frame rail and into Backrest Catch and tighten Nut H (1/4"-20). Insert Screw G (1/4"-20 x 1/2") through Backrest Catch and Tab. Tighten Nut H onto Screw G.

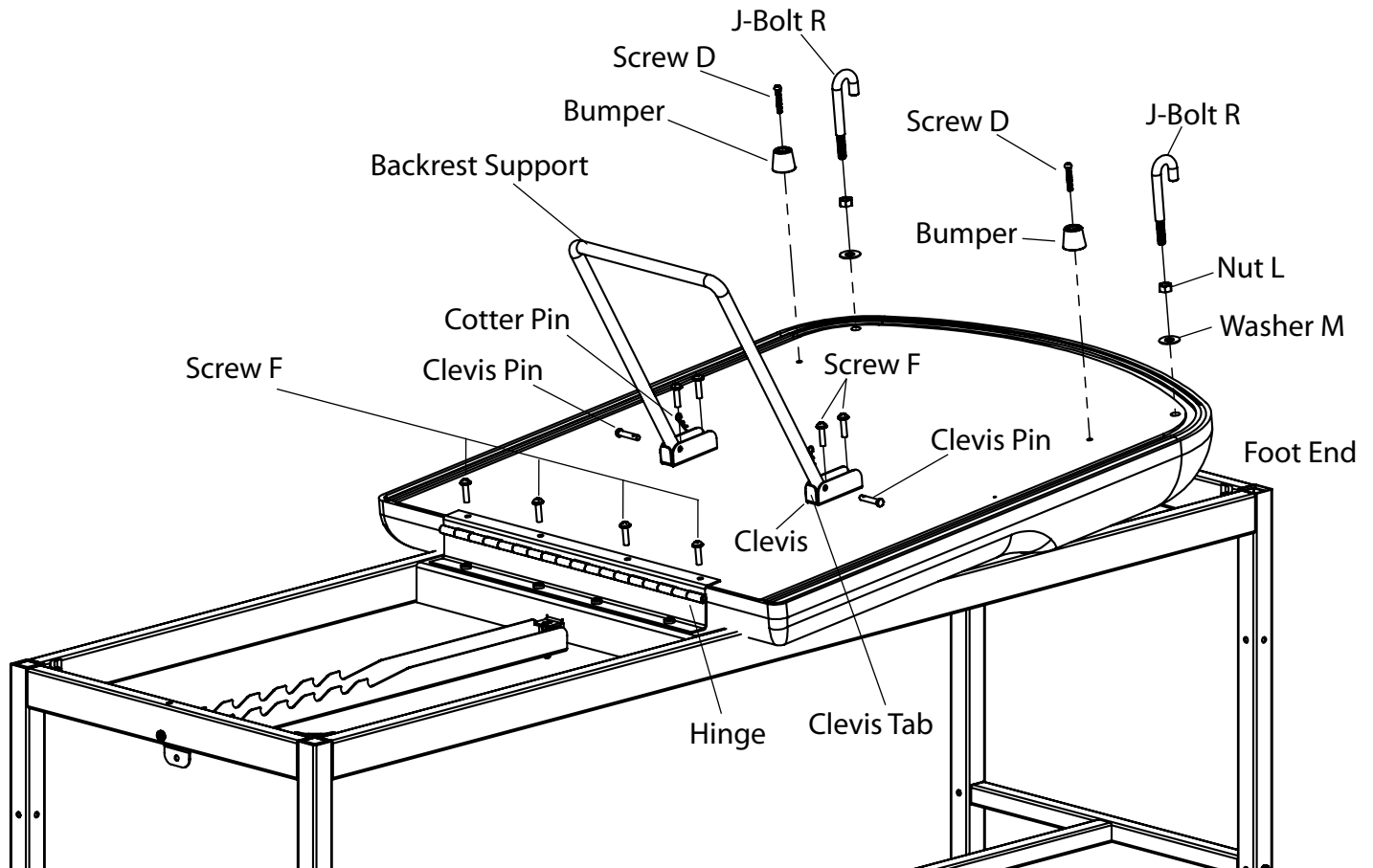
MODELS 2130 and 2140 STEP 5



STEP A: Align holes in Hinge with holes in frame. Hinge must be oriented as shown with Hinge mounting flange facing the Head End of the table.

STEP B: Install 4 Screws G (1/4"-20 x 1/2") into the Hinge and through the frame. Fasten with 4 Nuts N (1/4"-20) and tighten.

MODELS 2130 and 2140 STEP 6



STEP A: Lay upholstered backrest on Foot End of frame as shown.

STEP B: Slide backrest down until it bumps up against Hinge.

STEP C: Insert the four backrest-to-hinge Screws F (1/4"-20 x 1") and tighten.

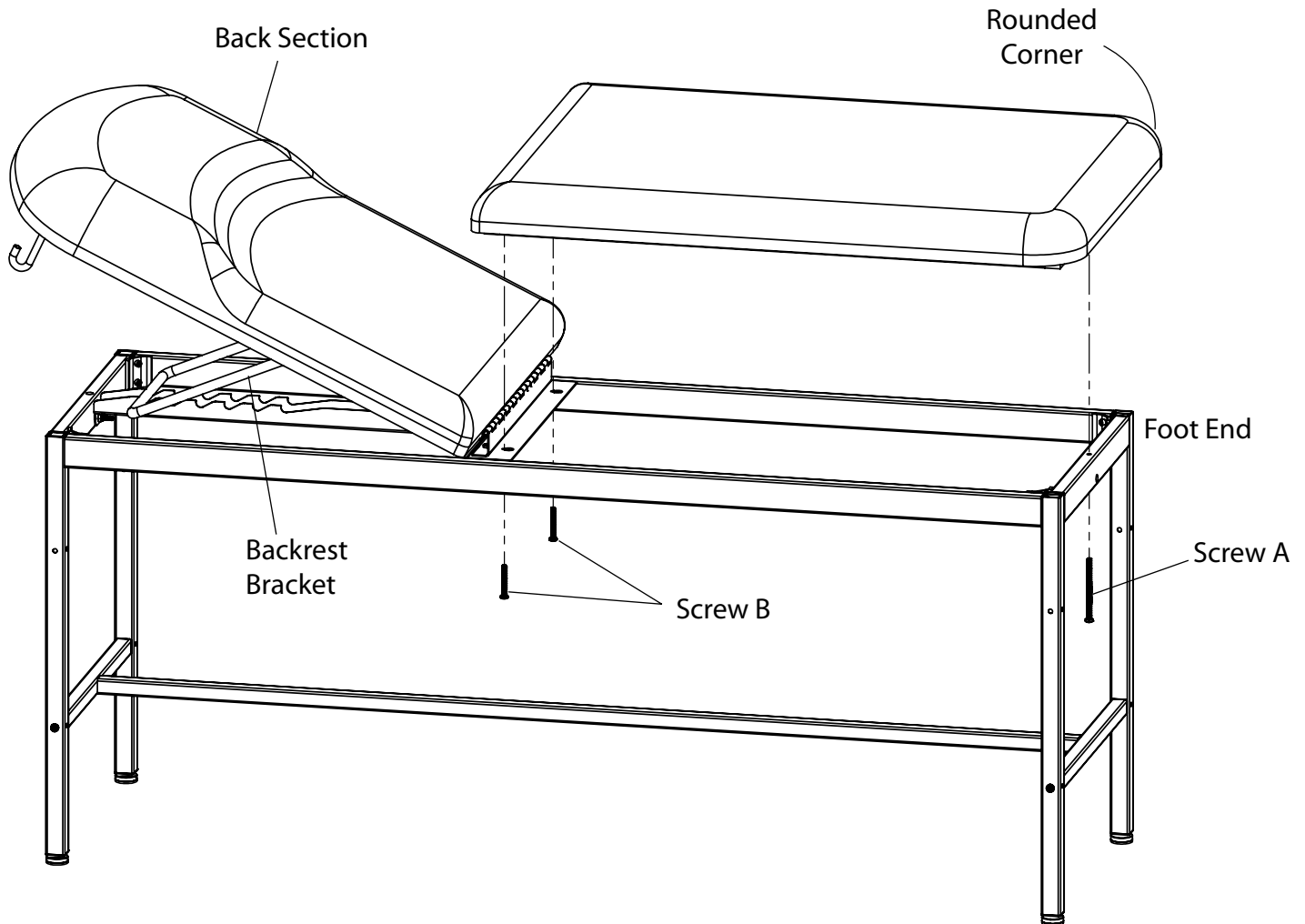
STEP D: Insert Screws F (1/4"-20 x 1") through Clevises and tighten. Note Clevis Tab orientation.

STEP E: Install Backrest Support with Clevis Pins and Cotter Pins.

STEP F: Insert Screws D (10-24 x 1 1/4") through Bumpers and tighten.

STEP G: Thread Nut L (3/8") completely onto J-Bolt R. Place Washer M onto J-Bolt and thread into backrest as shown. Position J-Bolt toward head end of table as shown and tighten nut against backrest.

MODELS 2130 and 2140 STEP 7



STEP A: Rotate Back Section until Backrest Bracket is engaged or top is horizontal on frame.

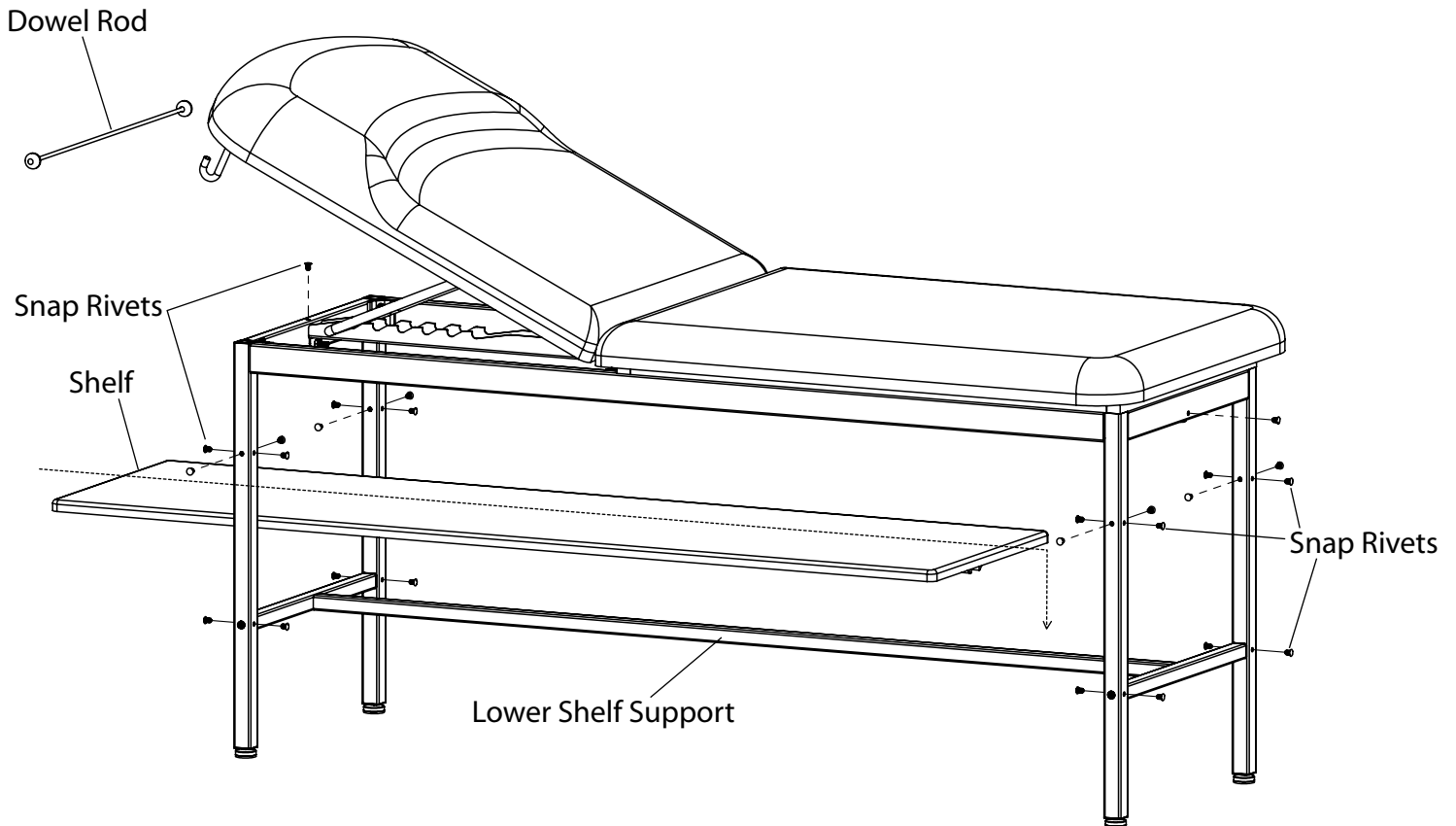
STEP B: Set upholstery bottom on frame, with Rounded Corners placed at the Foot End of the table.

STEP C: Install Screw A (1/4"-20 x 4") through frame and into upholstery.

STEP D: Install 2 Screws B (1/4"-20 x 2") through frame and into upholstery.

STEP E: Tighten Screws.

MODELS 2130 and 2140 STEP 8



STEP A: Insert the Shelf through either end of the Table. Position the Shelf so that the locating blocks, on the bottom of the Shelf, are straddling the Lower Shelf Support.

STEP B: Install Snap Rivets into unused holes in legs and frame (see illustration above).

STEP C: Slide the Dowel Rod through the paper roll and hang the Dowel Rod on the J-Bolts. Ensure a secure fit before using the paper roll dispenser.

INSTALLATION

Leveling the Table

A Leveling Screw Pad is located at each corner under the table's base. Adjust the four Leveling Screw Pads, by turning them up or down, to achieve a solid, level installation.

Leveling Screw Pad

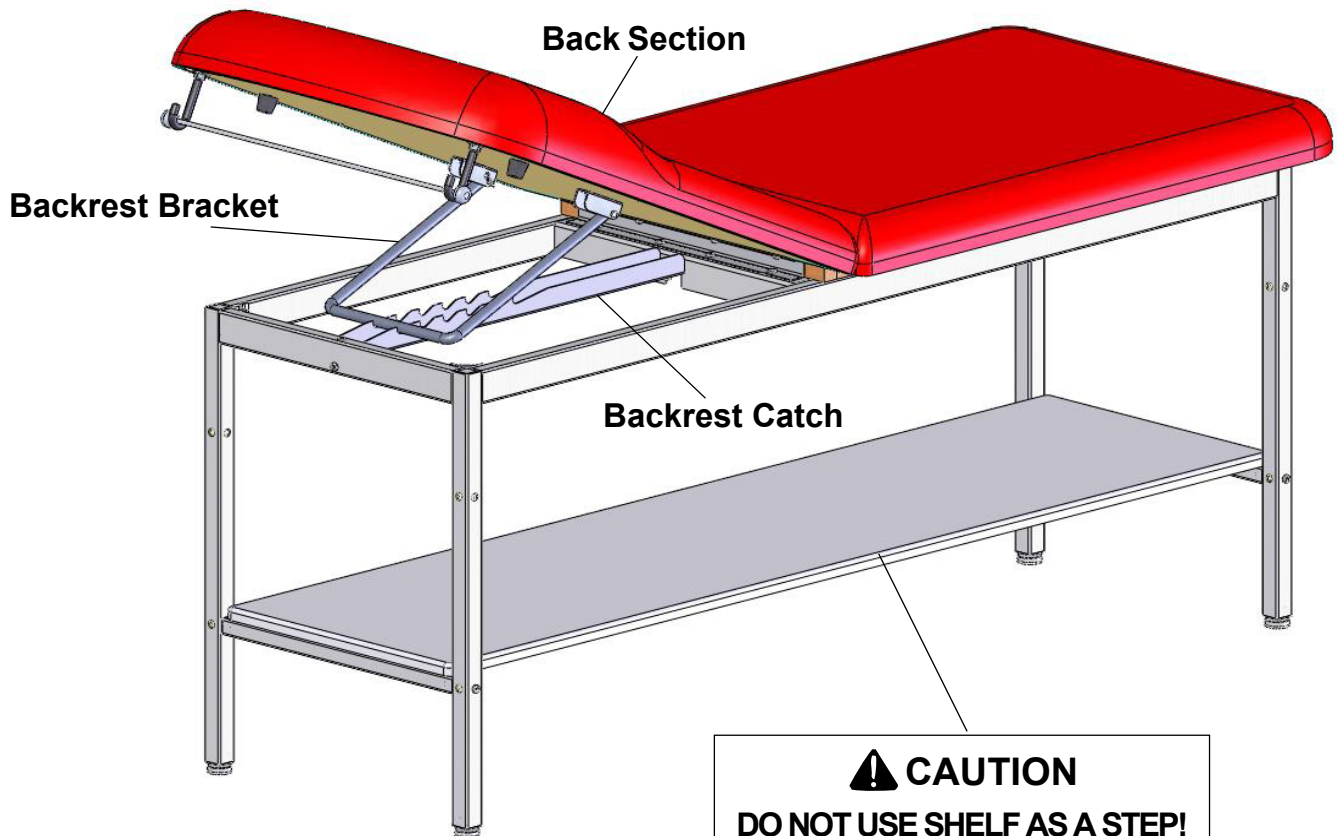


OPERATION

Back Section

To Raise Back Section: Lift Back Section of upholstery to desired inclination and secure Backrest Bracket into one of the six Backrest Catch slots.

To Lower Back Section: Lift Back Section of upholstery and lift Backrest Bracket out of the Backrest Catch while lowering the Back Section.



MAINTENANCE

Preventative Maintenance

- Inspect the mechanical functions to ensure satisfactory operation.
- Check fasteners to make sure they are present and secured tightly.

Cleaning

Upholstery

Regular care should be maintained by daily wiping with a damp cloth or sponge and periodic cleaning with a mild soap and water solution. Let air dry before placing anything on top of upholstery.

⚠ WARNING

The upholstery material that covers the top of the table is resistant to most medicinal-type stains, but may be damaged by solvents and dyes. Remove any fluids which are spilled on the upholstery immediately. All surfaces should be cleaned within your facilities guidelines concerning antimicrobials and bloodborne pathogens.

Painted Metal Surfaces

Wipe all painted metal surfaces with a clean cloth at least once a week.

ACCESSORIES

Description	Reorder No.	Use/Restrictions
Replacement Upholstery	210115-XX 220115-XX	Intended Use - Replacement top with hardware for 2130 and 2140 Treatment Tables in 18 standard colors.
Special Upholstery	210115-SP 220115-SP	Intended Use - Allows the purchase of specialty vinyls in different colors with the model 2130 and 2140 Treatment Tables. (Additional charges may apply.)
Front Drawer Organizer	100407	Intended Use - Optional front drawer dividers for separation and organization.
Paper Straps	10196	Intended Use - Secures paper in two locations to table.

LIMITED WARRANTY

The Brewer Company GENERAL TERMS AND CONDITIONS

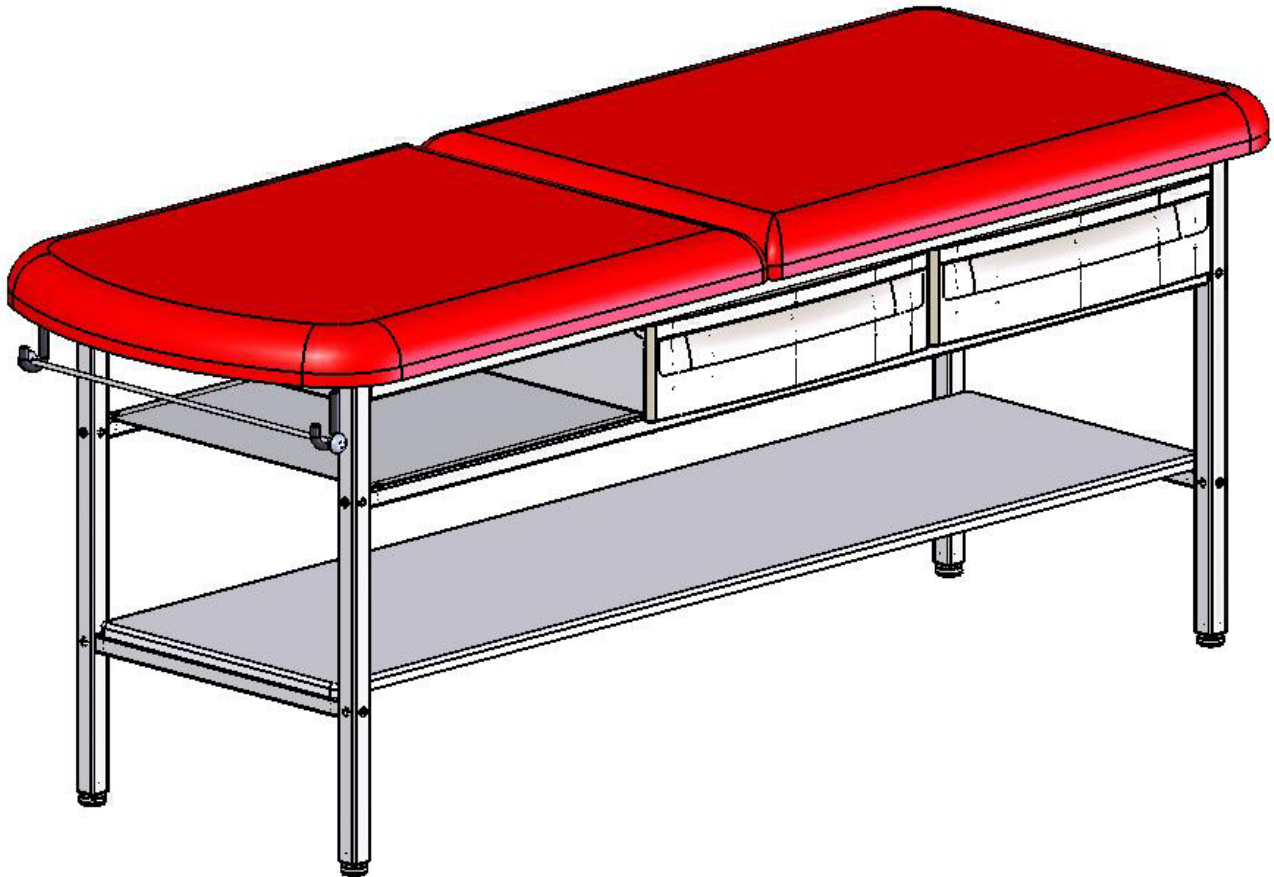
Warranty: The Brewer Company warrants its Treatment Tables to be free from defects in parts and workmanship under normal use and service for a period of (3) years from date of shipment. The Brewer Company will not be responsible for any Product failure due to abuse, misuse, modification, or improper use or for any use which exceeds the published capacity of the Product. Products returned by prepaid freight for inspection and found defective will, at the option of The Brewer Company, be repaired or replaced at no charge, but no claim for outside labor or other charges will be allowed. Products must not be returned without proper written authorization from The Brewer Company. Requests for authorization must be in writing and accompanied by the original purchase order, The Brewer Company invoice number and a copy of the invoice for the Product. THIS WARRANTY IS EXCLUSIVE AND IN LIEU OF ALL OTHER WARRANTIES AND REMEDIES WHATSOEVER, INCLUDING BUT NOT LIMITED TO IMPLIED WARRANTIES OF MERCHANTABILITY AND/OR FITNESS FOR A PARTICULAR PURPOSE. NO AGENT, EMPLOYEE, OR REPRESENTATIVE OF The Brewer Company HAS ANY AUTHORITY TO MAKE ANY AFFIRMATION, REPRESENTATION, OR WARRANTY NOT SET FORTH IN THESE TERMS AND CONDITIONS CONCERNING ANY PRODUCTS OF THE BREWER COMPANY. The Brewer Company SHALL HAVE NO LIABILITY WHATSOEVER FOR DAMAGES CAUSED BY TRANSPORTATION, ACCIDENTS, FIRE, UNAUTHORIZED ALTERATION, OR NORMAL WEAR OR ABUSE, NOR SHALL The Brewer Company HAVE ANY LIABILITY WHATSOEVER FOR ANY INCIDENTAL OR CONSEQUENTIAL DAMAGES, including without limitation, lost profits, or any such damages arising from (a) the design, manufacture, sale, delivery, installation, repair, operation, or use of products of The Brewer Company or any part thereof, (b) any actual or alleged failure or defect in products of The Brewer Company or any part thereof, or (c) any actual or alleged breach or non-performance by The Brewer Company of this limited warranty.

Freight Claims: Upon receipt, merchandise should be carefully examined to ascertain that proper amount has been received in good condition. Any claim for shortage or damage must be made with delivering carrier within five (5) days from receipt of goods. The Brewer Company does not assume any responsibility for loss or damage in transit, and compensation for such loss must be obtained from the carrier.

BrewerElement

TREATMENT TABLE

Model 2210



Overview	2	Drawer Removal	11
Tools Needed	2	Maintenance	12
Hardware.....	2	Accessories	12
Assembly.....	3-10	Limited Warranty.....	12
Installation.....	11		

OVERVIEW

Perform the following sequence in order when setting up the table:

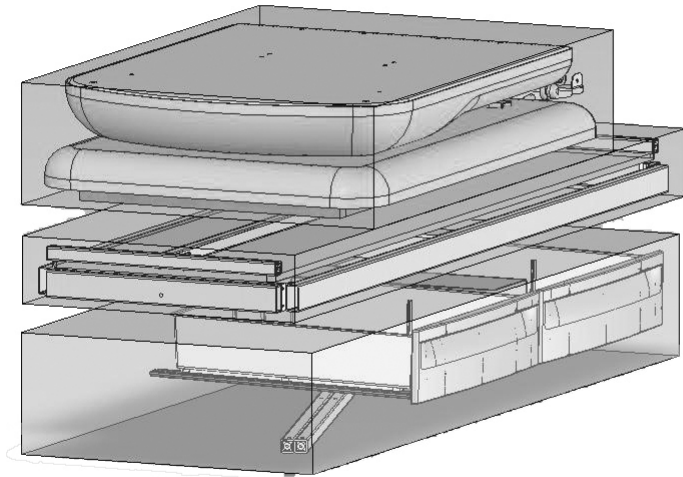
- Unpacking
- Assembly
- Leveling the Table
- Installing the Paper Roll

NOTE: Save all packaging in case re-shipment is required.

NOTE: Inspect all boxes and contents for damage. Report any damage to the carrier immediately.

MODEL 2210

For the above model you will receive three separate cartons: a frame & shelf carton, an upholstery carton, and a drawer carton. Inspect all three carefully for shipping incurred damage.



⚠ WARNING
Two or more people should assist in moving the table. Use proper lifting techniques when lifting. Failure to do so could result in serious injury!

⚠ CAUTION
To avoid damaging the table's upholstery or painted surfaces, DO NOT use a knife or any other sharp object to open the packaging.

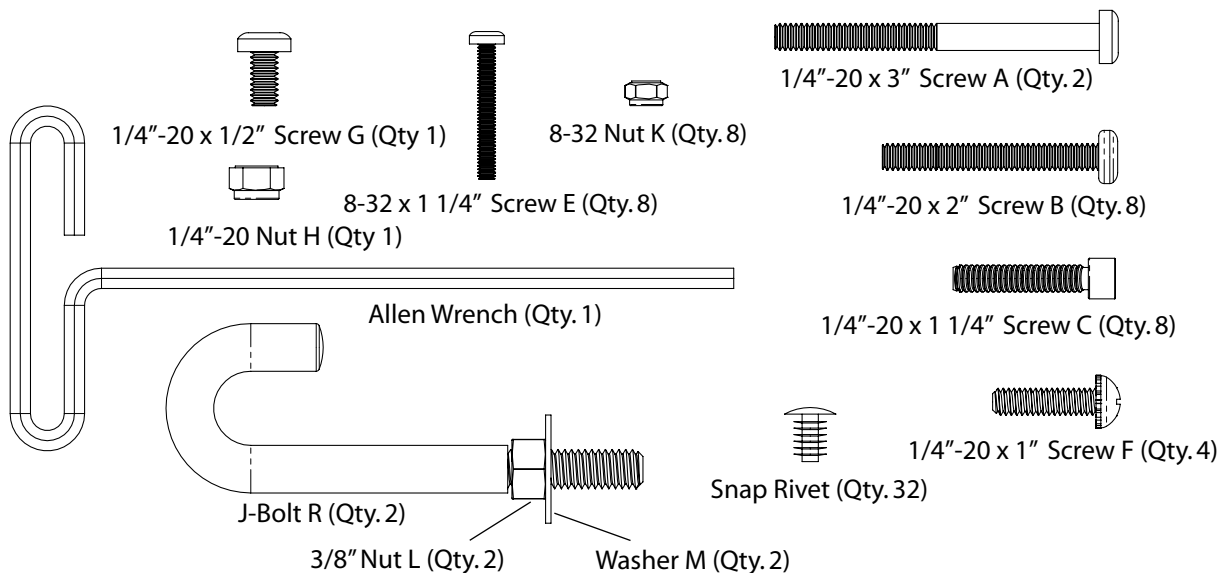
MODEL 2210 TOOLS NEEDED

9/16" Open End Wrench

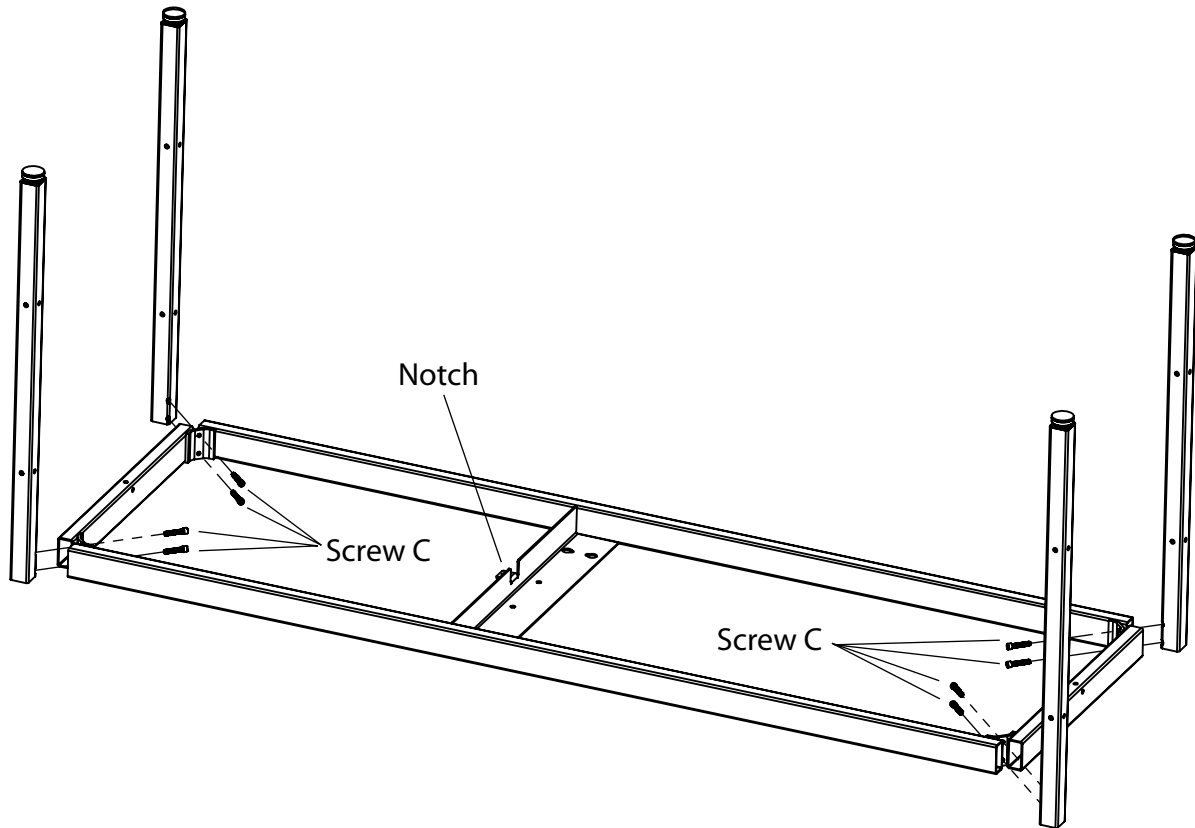
11/32" Socket or Wrench

Phillips Screw Driver

MODEL 2210 HARDWARE



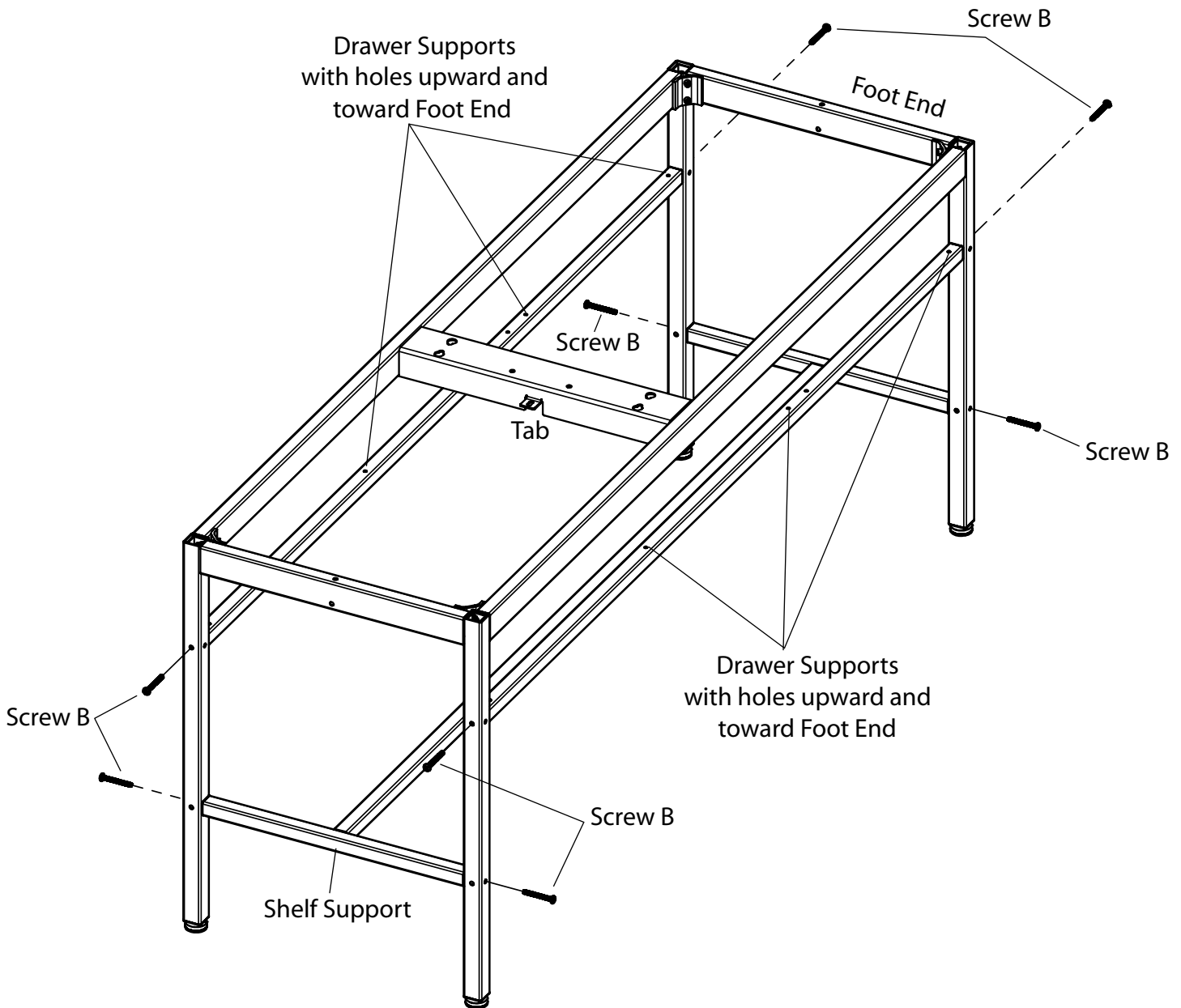
MODEL 2210 STEP 1



STEP A: Start with table frame inverted: note the position of the Notch in the drawing above is facing upwards.

STEP B: Position Legs in corners (see drawing above). Insert Screws C (1/4"-20 x 1 1/4") and snug up by hand only at this time.

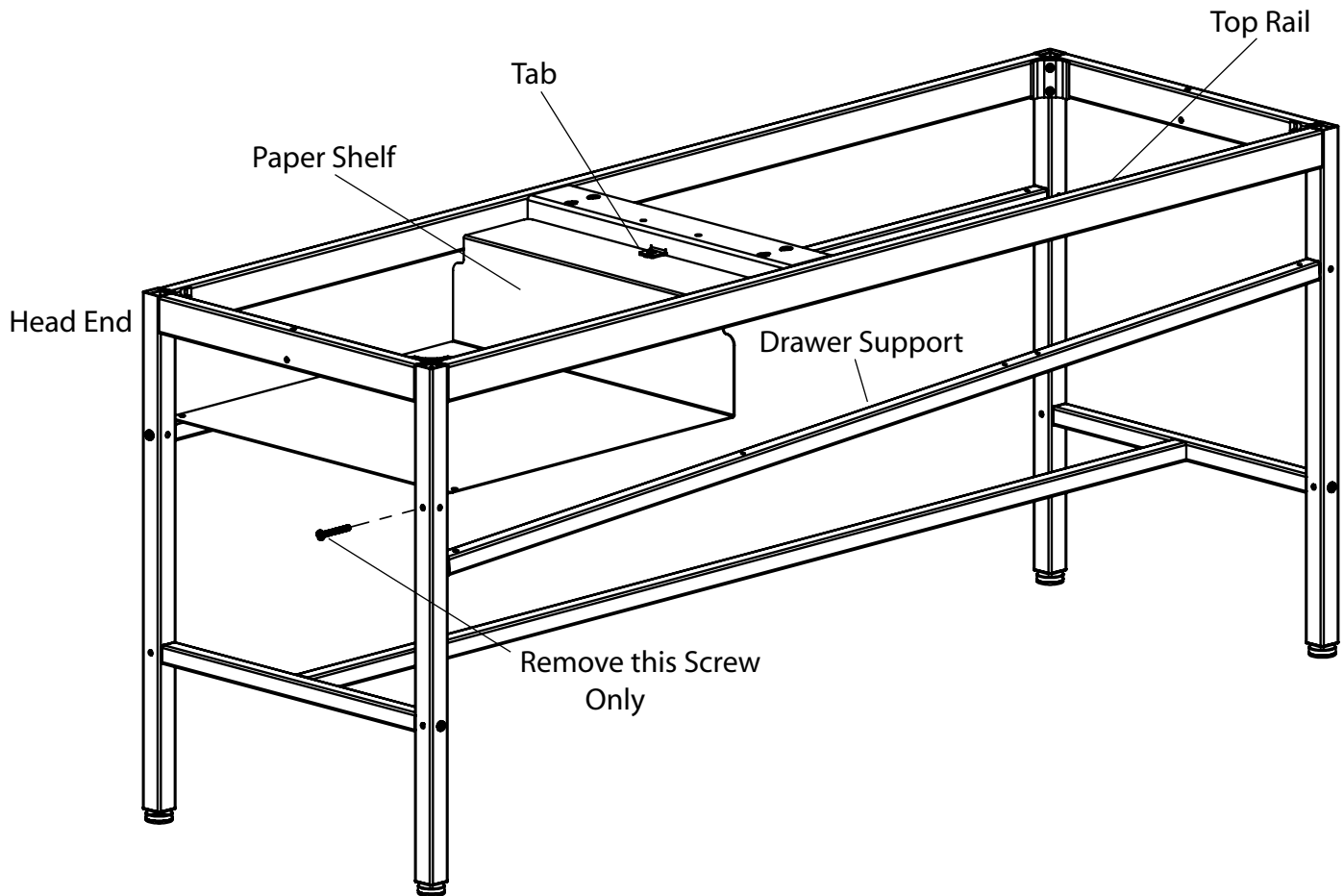
MODEL 2210 STEP 2



STEP A: With table in the upright position install Shelf Support using 4 Screws B (1/4"-20 x 2"). Do not tighten at this time.

STEP B: Locate Drawer Supports according to above drawing so that the holes through the tube are facing up, and the holes nearest the ends of the tubes are at the Foot End of the table. Install using 4 Screws B (1/4"-20 x 2"). Do not tighten at this time.

MODEL 2210 STEP 3

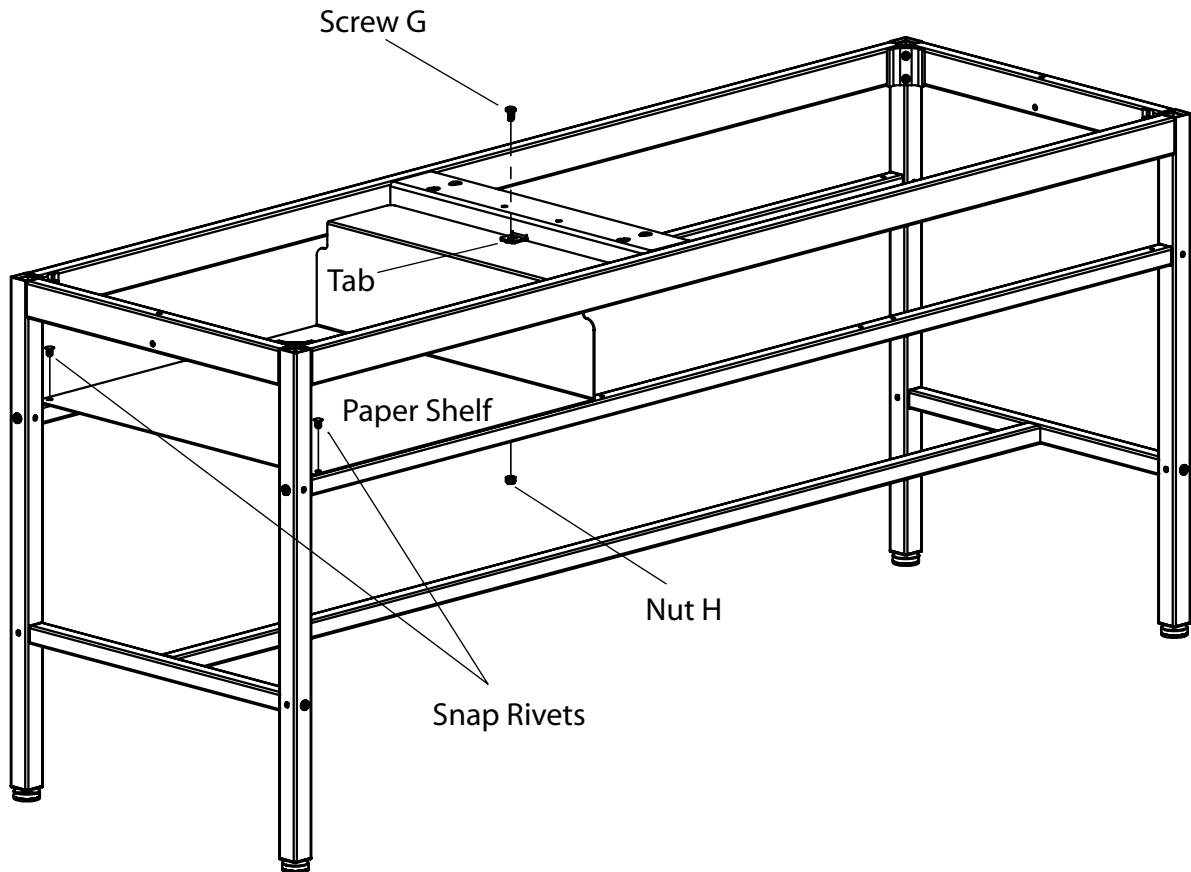


STEP A: Remove one Drawer Support screw from the Head End of the table as shown.

STEP B: Insert Paper Shelf between the Top Rail and the loose Drawer Support. Make sure the Paper Shelf is mounted below the Tab as shown.

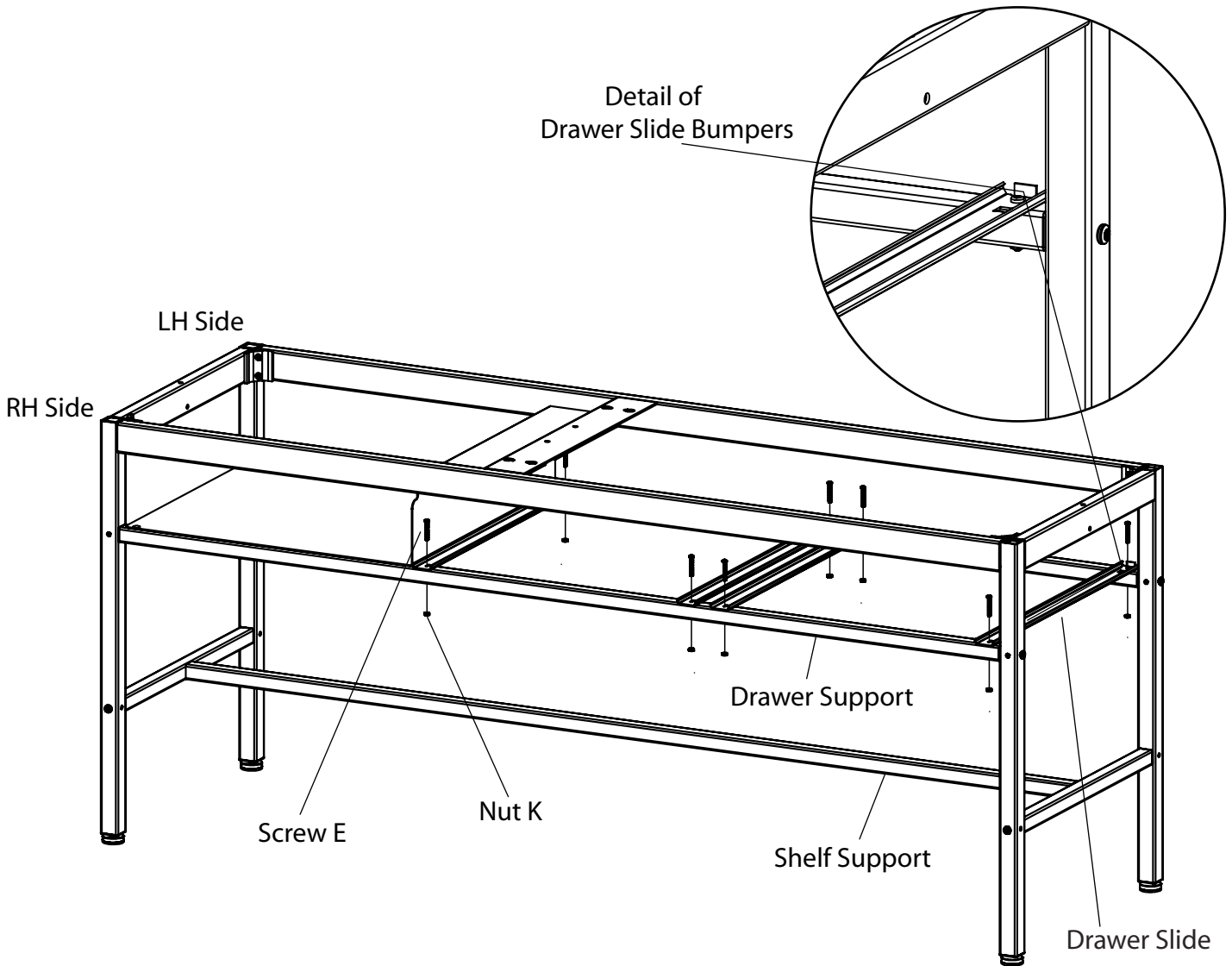
STEP C: Reinstall the Drawer Support and its corresponding screw. Do not tighten at this time.

MODEL 2210 STEP 4



STEP A: Install Screw G (1/4"-20 x 1/2") through Tab and Paper Shelf as shown. Tighten Nut H (1/4"-20) onto Screw G. Install 3 Snap Rivets into holes on Paper Shelf and the top of the frame rail.

MODEL 2210 STEP 5



STEP A: The drawers can be installed so they open from the right hand side (RH Side) or the left hand side (LH Side) of the table. The view above and the instructions below are for right hand installation.

STEP B: Position the (4) Drawer Slides on top of the Drawer Support rails. The rubber bumpers should be on the LH Side of the table, facing upward.

STEP C: Tighten Screws E (8-32 x 1 1/4") into Nuts K (8-32) at 8 locations.

STEP D: **Tighten all screws at this time.**

- Legs to Frame (8 screws using Allen Wrench provided)
- Drawer Supports to Legs (4 screws)
- Shelf Support to Legs (4 screws)

MODEL 2210 STEP 6

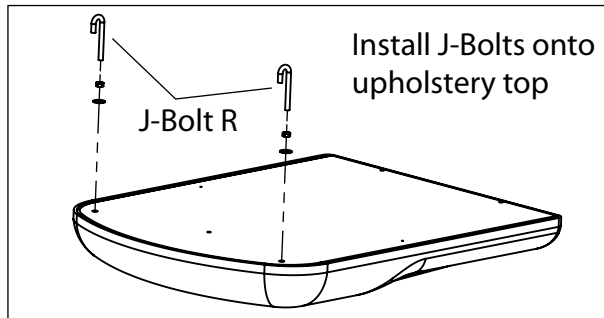
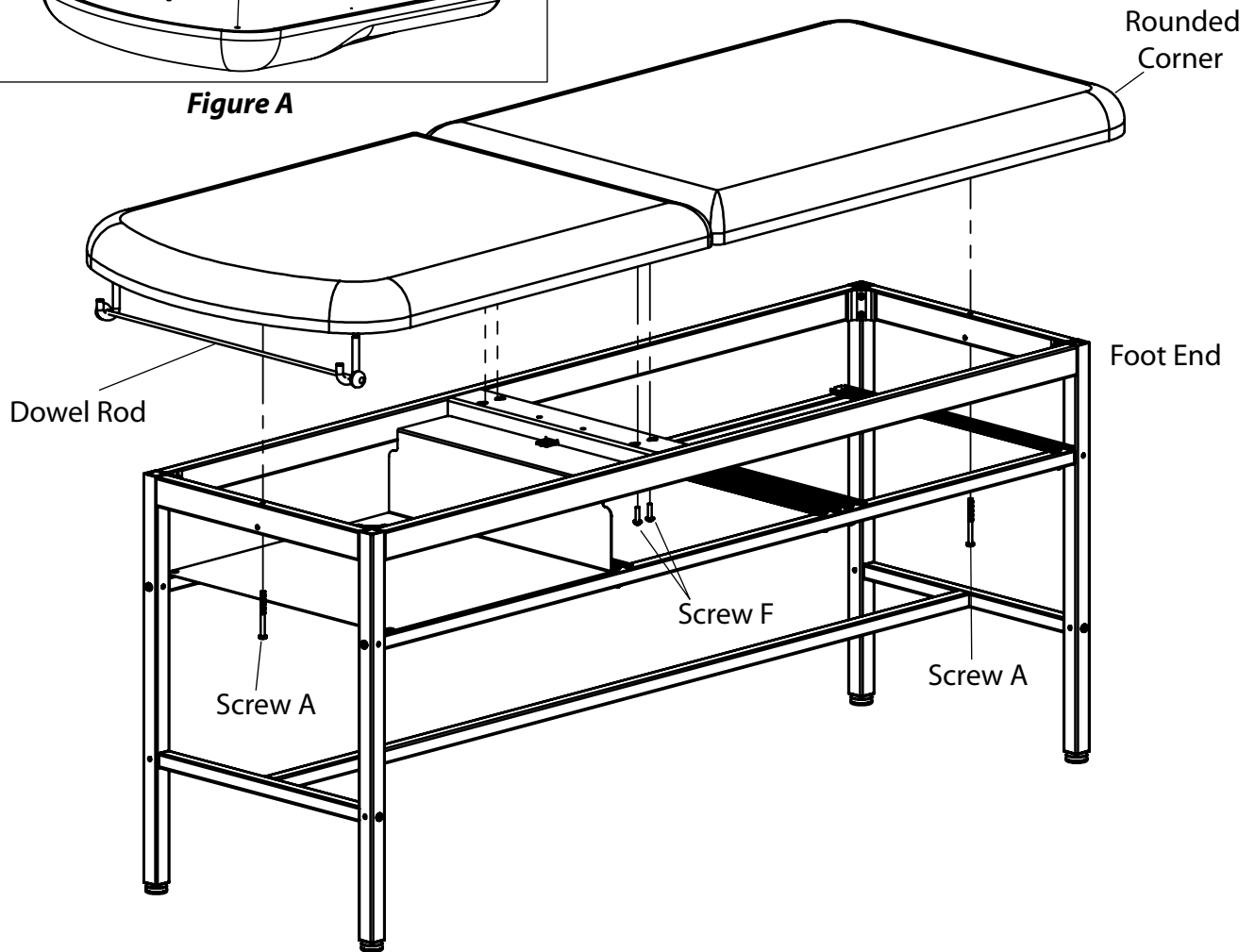


Figure A

STEP A: Install J-Bolts as shown in Figure A. Thread Nut L (3/8") completely onto J-Bolt. Place Washer M onto J-Bolt and thread into Backrest as shown in Figure A. Position J-Bolt toward head of table as shown and tighten nut against backrest.



STEP B: Set upholstery top and bottom on frame, with Rounded Corners of the upholstery bottom placed at the Foot End of the table.

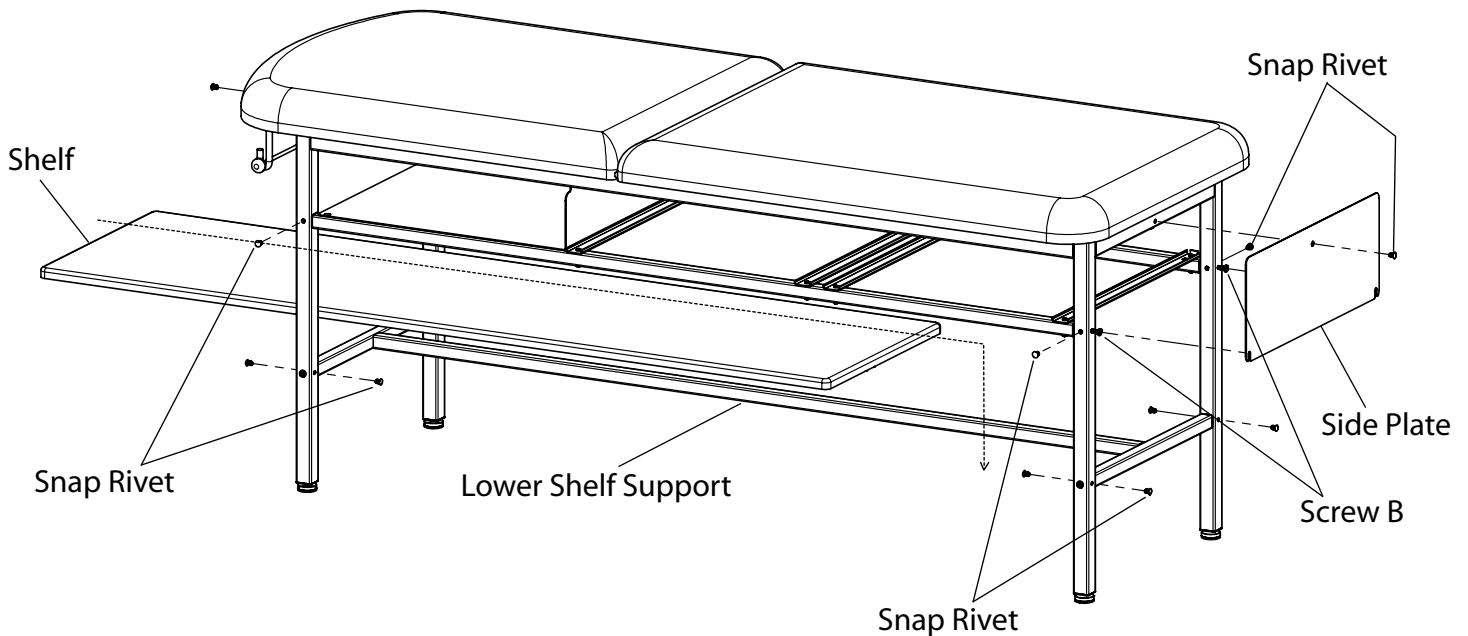
STEP C: Install 2 Screws A (1/4"-20 x 3") through frame and into upholstery.

STEP D: Install 4 Screws F (1/4"-20 x 1") through frame and into upholstery.

STEP E: Tighten Screws.

STEP F: Slide the Dowel Rod through the paper roll and hang the Dowel Rod on the J-Bolts. Ensure a secure fit before using the paper roll dispenser.

MODEL 2210 STEP 7



STEP A: Loosen Screws B at the foot of the table where indicated just enough to allow installation of the Side Plate.

STEP B: Mount Side Plate so that the slots of the plate straddle the Screws B that were just loosened.

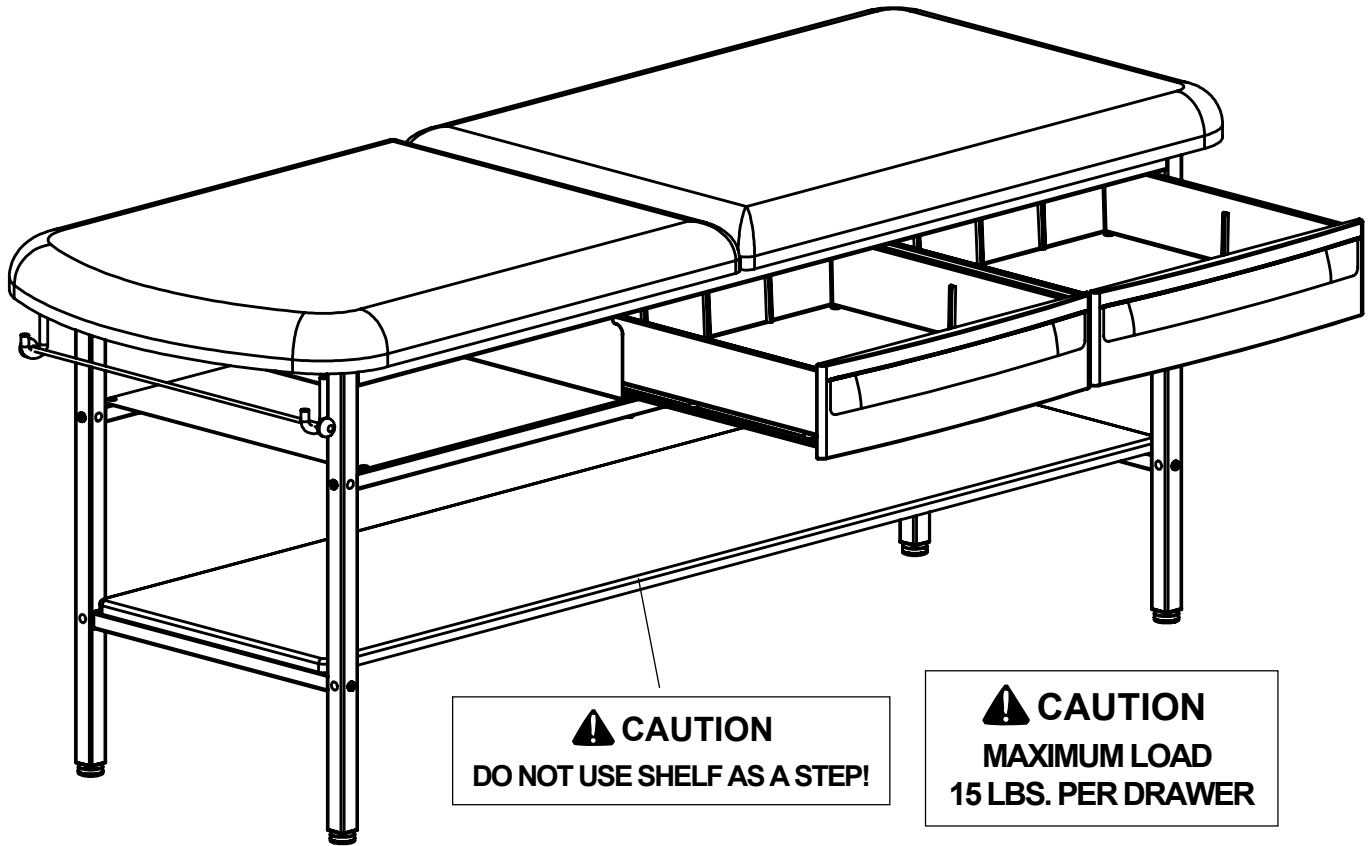
STEP C: Press the top of the Side Plate up against the frame and align the top hole of the plate with the hole in the frame. Insert Snap Rivet into the aligned holes.

STEP D: Retighten Screws B.

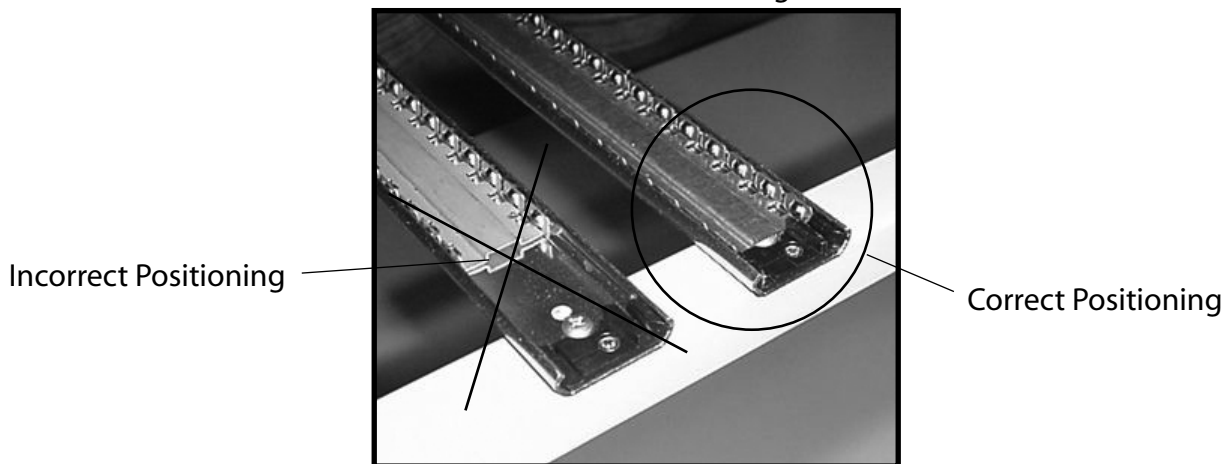
STEP E: Insert the Shelf through either end of the table. Position the Shelf so that the locating blocks, on the bottom of the Shelf, are straddling the Lower Shelf Support.

STEP F: Install Snap Rivets into unused holes in legs and frame.

MODEL 2210 STEP 8



Drawer Slide Positioning



To install drawers, pull drawer slides forward and align the slots of the drawer-mounted slides to their mate on the frame. Push the drawers inward until they reach their fully-closed position.

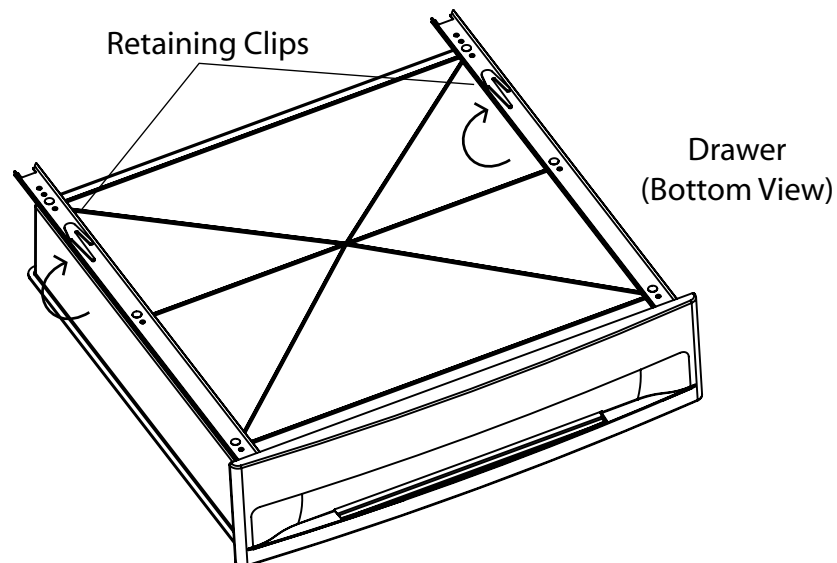
INSTALLATION

Leveling the Table

A Leveling Screw Pad is located at each corner under the table's base. Adjust the four Leveling Screw Pads, by turning them up or down, to achieve a solid, level installation.



DRAWER REMOVAL



To remove Drawer from bottom slide support: Fully extend the Drawer, locate the Retaining Clips and push both clips in a clockwise direction as you pull the Drawer forward and out.

MAINTENANCE

Preventative Maintenance

- Inspect the mechanical functions to ensure satisfactory operation.
- Check fasteners to make sure they are present and secured tightly.

Cleaning

Upholstery

Regular care should be maintained by daily wiping with a damp cloth or sponge and periodic cleaning with a mild soap and water solution. Let air dry before placing anything on top of upholstery.

WARNING

The upholstery material that covers the top of the table is resistant to most medicinal-type stains, but may be damaged by solvents and dyes. Remove any fluids which are spilled on the upholstery immediately. All surfaces should be cleaned within your facilities guidelines concerning antimicrobials and bloodborne pathogens.

Painted Metal Surfaces

Wipe all painted metal surfaces with a clean cloth at least once a week.

Drawers

Wipe out drawers with a damp cloth or sponge on a regular basis, along with periodic cleaning with a mild soap and water solution. The drawers may be removed for cleaning. (See page 11.)

ACCESSORIES

Description	Reorder No.	Use/Restrictions
Replacement Upholstery	210115-XX	Intended Use - Replacement top with hardware for 2210 Treatment Tables in 18 standard colors.
Special Upholstery	210115-SP	Intended Use - Allows the purchase of specialty vinyls in different colors with the model 2210 Treatment Tables. (Additional charges may apply.)
Front Drawer Organizer	100407	Intended Use - Optional front drawer dividers for separation and organization.
Paper Straps	10196	Intended Use - Secures paper in two locations to table.

The Brewer Company

GENERAL TERMS AND CONDITIONS

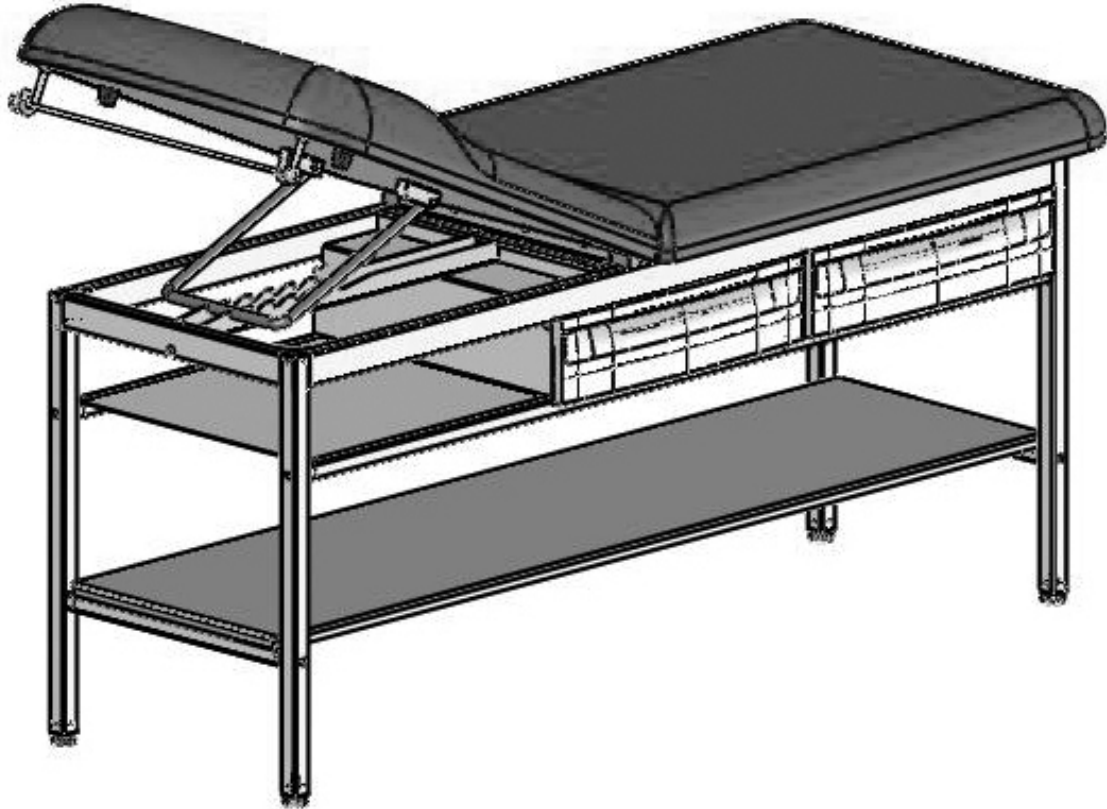
Warranty: The Brewer Company warrants its products to be free from defects in parts and workmanship under normal use and service for a period of three (3) years from date of shipment. The Brewer Company warrants its power tables to be free from defects in parts and workmanship under normal use and service for a period of three (3) years from date of shipment. The Brewer Company warrants its exam tables to be free from defects in parts and workmanship under normal use and service for a period of three (3) years from date of shipment. The Brewer Company warrants its lighting products to be free from defects in parts and workmanship under normal use and service for a period of one (1) year from date of shipment. The Brewer Company will not be responsible for any Product failure due to abuse, misuse, modification or improper use or for any use which exceeds the published capacity of the Product. Products returned by prepaid freight for inspection and found defective will, at the option of The Brewer Company, be repaired or replaced at no charge, but no claim for outside labor or other charges will be allowed. Products must not be returned without proper written authorization from The Brewer Company. Requests for authorization must be in writing and accompanied by the original purchase order, The Brewer Company invoice number and a copy of the invoice for the Product. THIS WARRANTY IS EXCLUSIVE AND IN LIEU OF ALL OTHER WARRANTIES AND REMEDIES WHATSOEVER, INCLUDING BUT NOT LIMITED TO IMPLIED WARRANTIES OF MERCHANTABILITY AND/OR FITNESS FOR A PARTICULAR PURPOSE. NO AGENT, EMPLOYEE, OR REPRESENTATIVE OF THE BREWER COMPANY HAS ANY AUTHORITY TO MAKE ANY AFFIRMATION, REPRESENTATION, OR WARRANTY NOT SET FORTH IN THESE TERMS AND CONDITIONS CONCERNING ANY PRODUCTS OF THE BREWER COMPANY. THE BREWER COMPANY SHALL HAVE NO LIABILITY WHATSOEVER FOR DAMAGES CAUSED BY TRANSPORTATION, ACCIDENTS, FIRE, UNAUTHORIZED ALTERATION, OR NORMAL WEAR OR ABUSE, NOR SHALL THE BREWER COMPANY HAVE ANY LIABILITY WHATSOEVER FOR ANY INCIDENTAL OR CONSEQUENTIAL DAMAGES, including without limitation, lost profits or any such damages arising from (a) the design, manufacture, sale, delivery, installation, repair, operation or use of products of The Brewer Company or any part thereof, (b) any actual or alleged failure or defect in products of The Brewer company or any part thereof, or (c) any actual or alleged breach or non-performance by The Brewer Company of this limited warranty.

Freight Claims: Upon receipt, merchandise should be carefully examined to ascertain that proper amount has been received in good condition. Any claim for shortage or damage must be made with delivering carrier within five (5) days from receipt of goods. We do not assume any responsibility for loss or damage in transit, and compensation for such loss must be obtained from the carrier.

BrewerElement

TREATMENT TABLE

Models 2230 and 2240



Overview	2	Drawer Removal	15
Tools Needed.....	2	Operation	15
Hardware.....	3	Maintenance	15
Assembly.....	4-13	Accessories	16
Installation.....	14	Limited Warranty	16

OVERVIEW

Perform the following sequence in order when setting up the table:

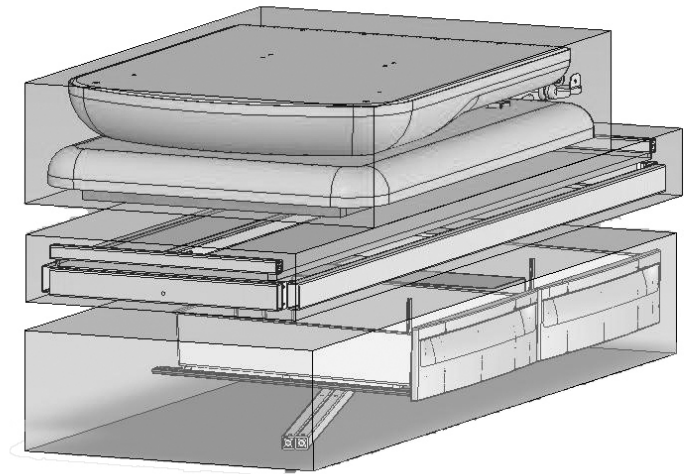
- Unpacking
- Assembly
- Leveling the Table
- Installing the Paper Roll

NOTE: Save all packaging in case re-shipment is required.

NOTE: Inspect all boxes and contents for damage. Report any damage to the carrier immediately.

MODELS 2230 & 2240

For the above models you will receive three separate cartons: a frame & shelf carton, an upholstery carton, and a drawer carton. Inspect all three carefully for shipping incurred damage.



⚠ CAUTION

To avoid damaging the table's upholstery or painted surfaces, **DO NOT** use a knife or any other sharp object to open the packaging.

⚠ WARNING

Two or more people should assist in moving the table. Use proper lifting techniques when lifting. Failure to do so could result in serious injury!

MODELS 2230 and 2240 TOOLS NEEDED

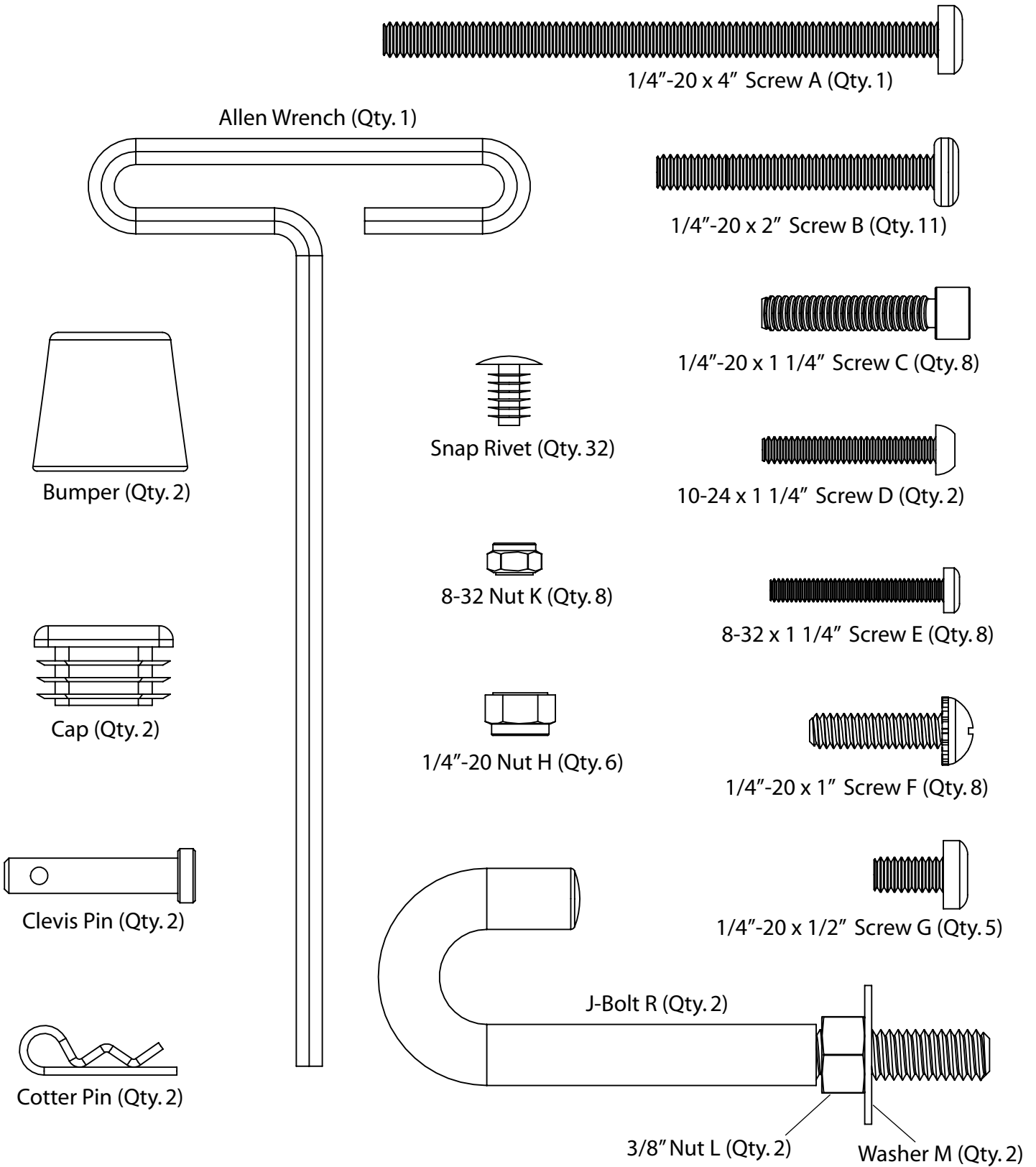
Rubber Mallet

9/16" Open End Wrench

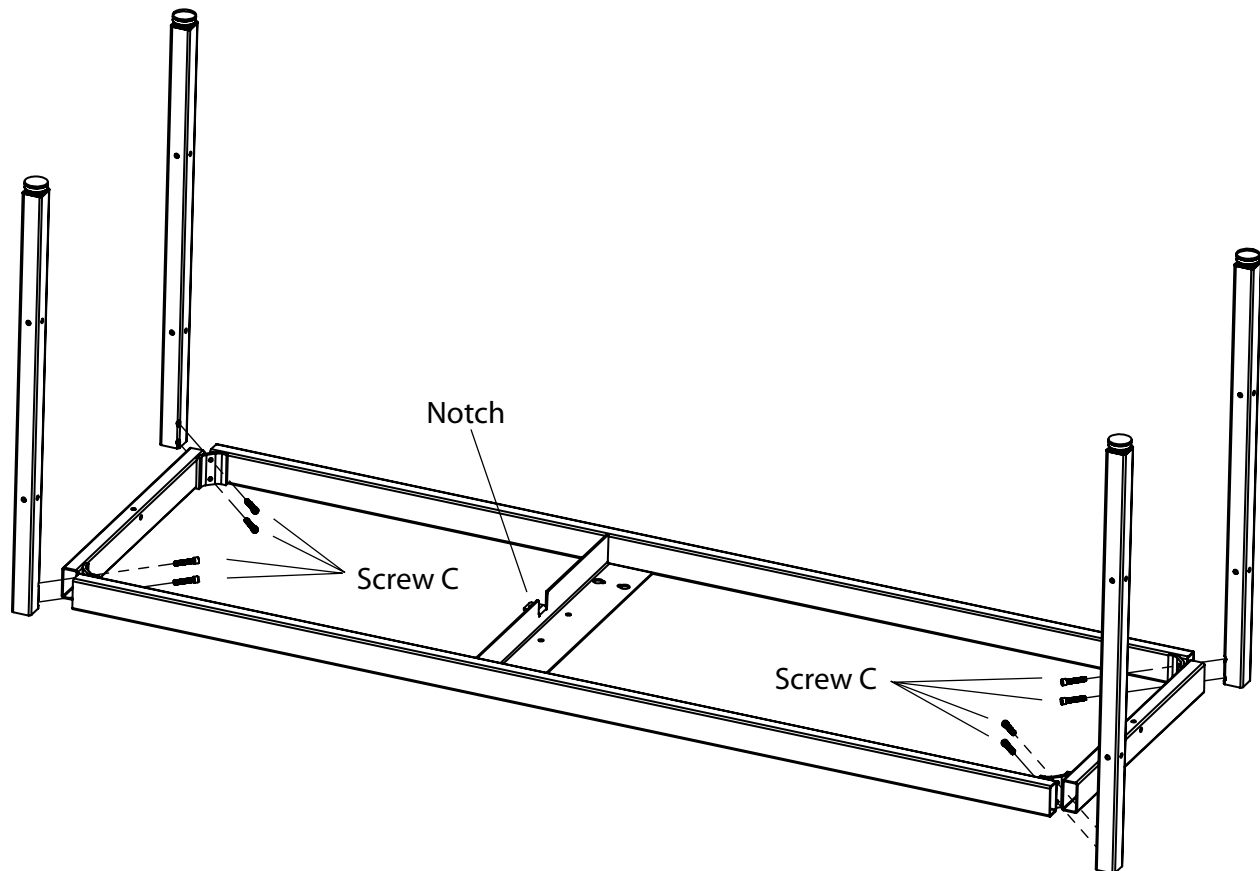
Phillips Screw Driver

7/16" , 11/32" Socket or Wrench

MODELS 2230 and 2240 HARDWARE



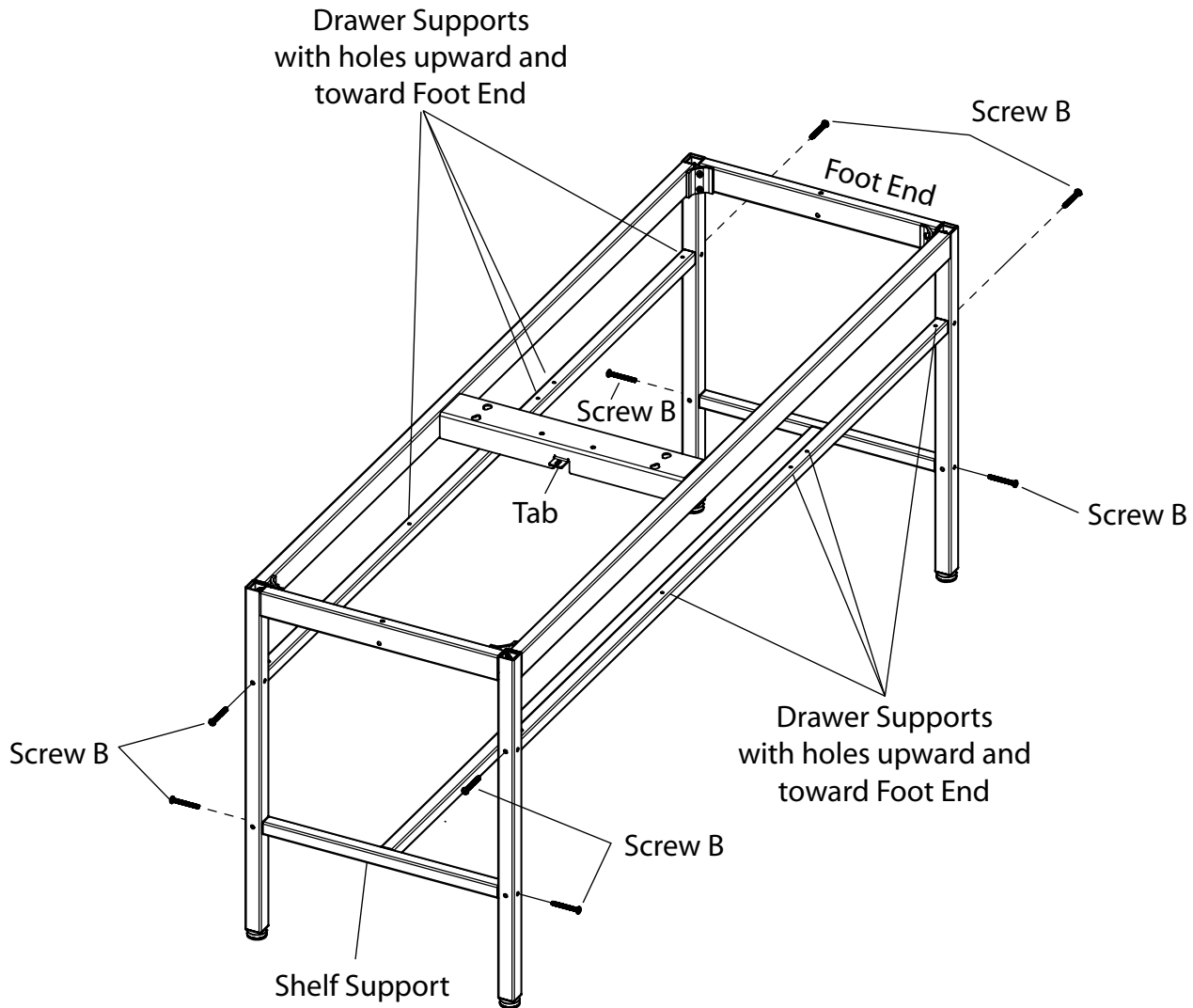
MODELS 2230 and 2240 STEP 1



STEP A: Start with table frame inverted: note the position of the Notch in the drawing above is facing upwards.

STEP B: Position legs (see drawing above). Insert Screws C (1/4"-20 x 1 1/4") and snug up by hand only at this time.

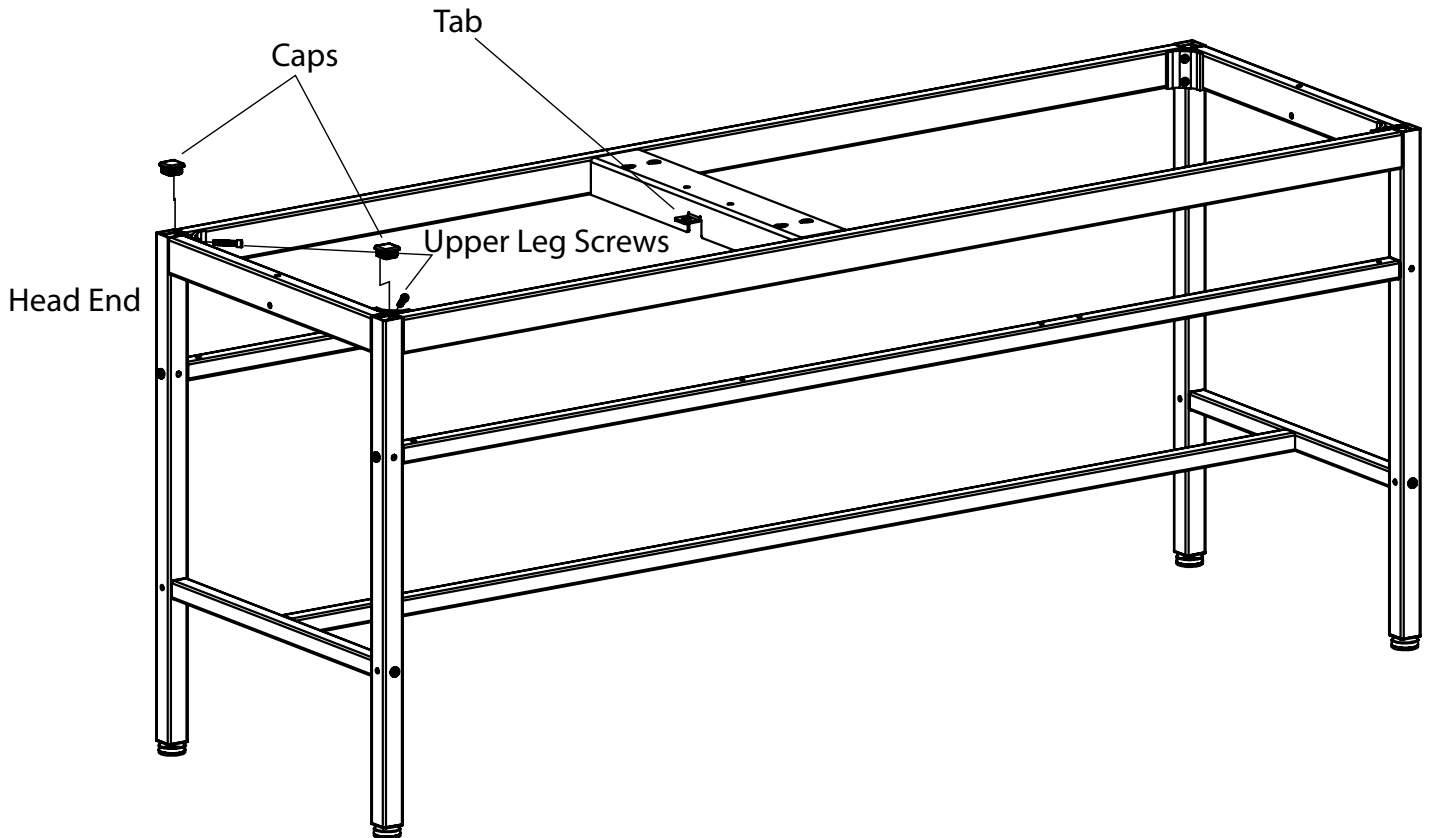
MODEL 2230 and 2240 STEP 2



STEP A: With table in the upright position install Shelf Support using 4 Screws B (1/4"-20 x 2"). Do not tighten at this time.

STEP B: Locate Drawer Supports according to above drawing so that the holes through the tube are facing up, and the holes nearest the ends of the tubes are at the Foot End of the table. Install using 4 Screws B (1/4"-20 x 2"). Do not tighten at this time.

MODELS 2230 and 2240 STEP 3

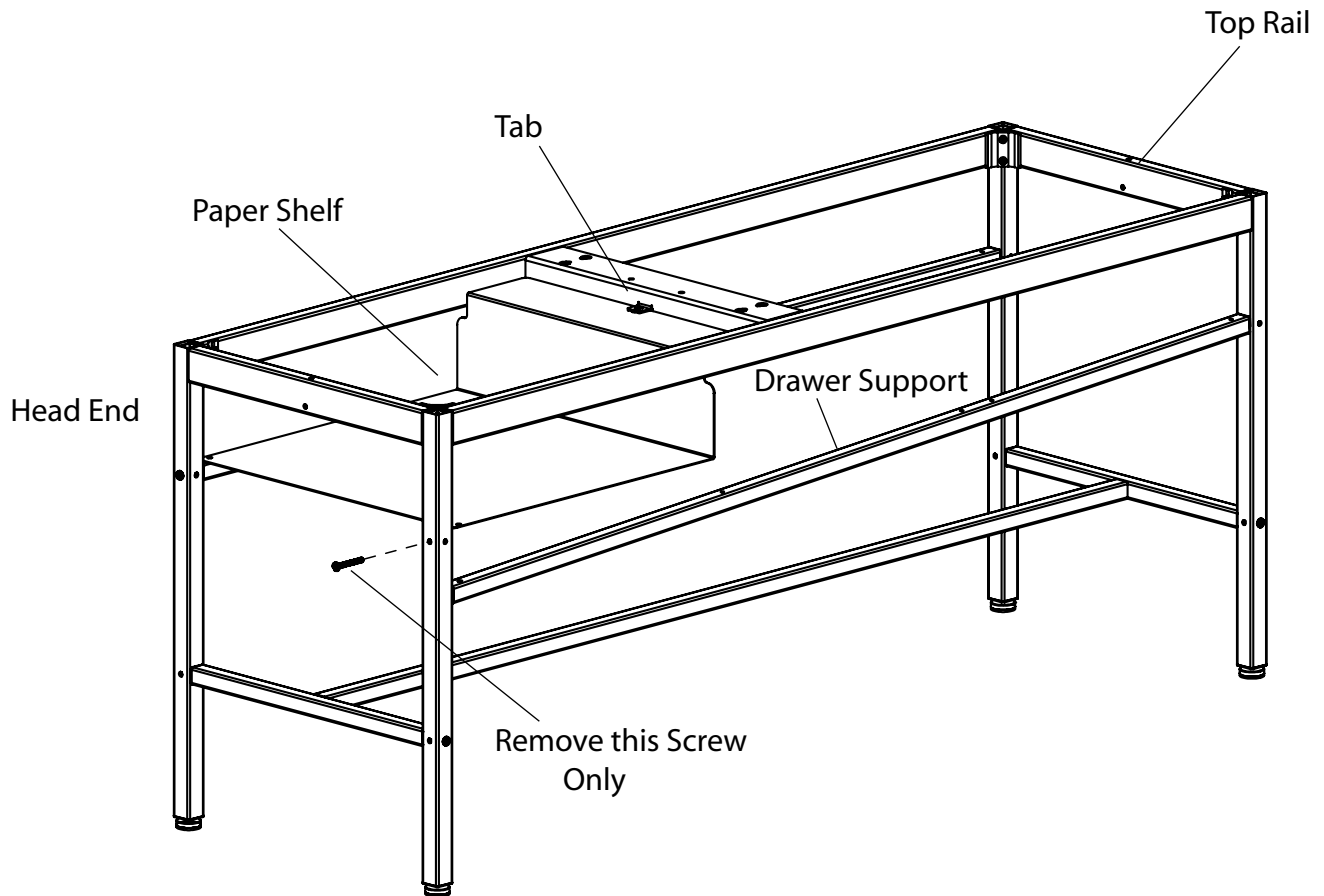


STEP A: Remove 2 Upper Leg Screws at Head End of the table, one on each of the two legs. (See illustration above.)

STEP B: Insert Caps into two leg tops and seat with a rubber mallet.

STEP C: Install Upper Leg Screws. Do not tighten at this time.

MODELS 2230 and 2240 STEP 4

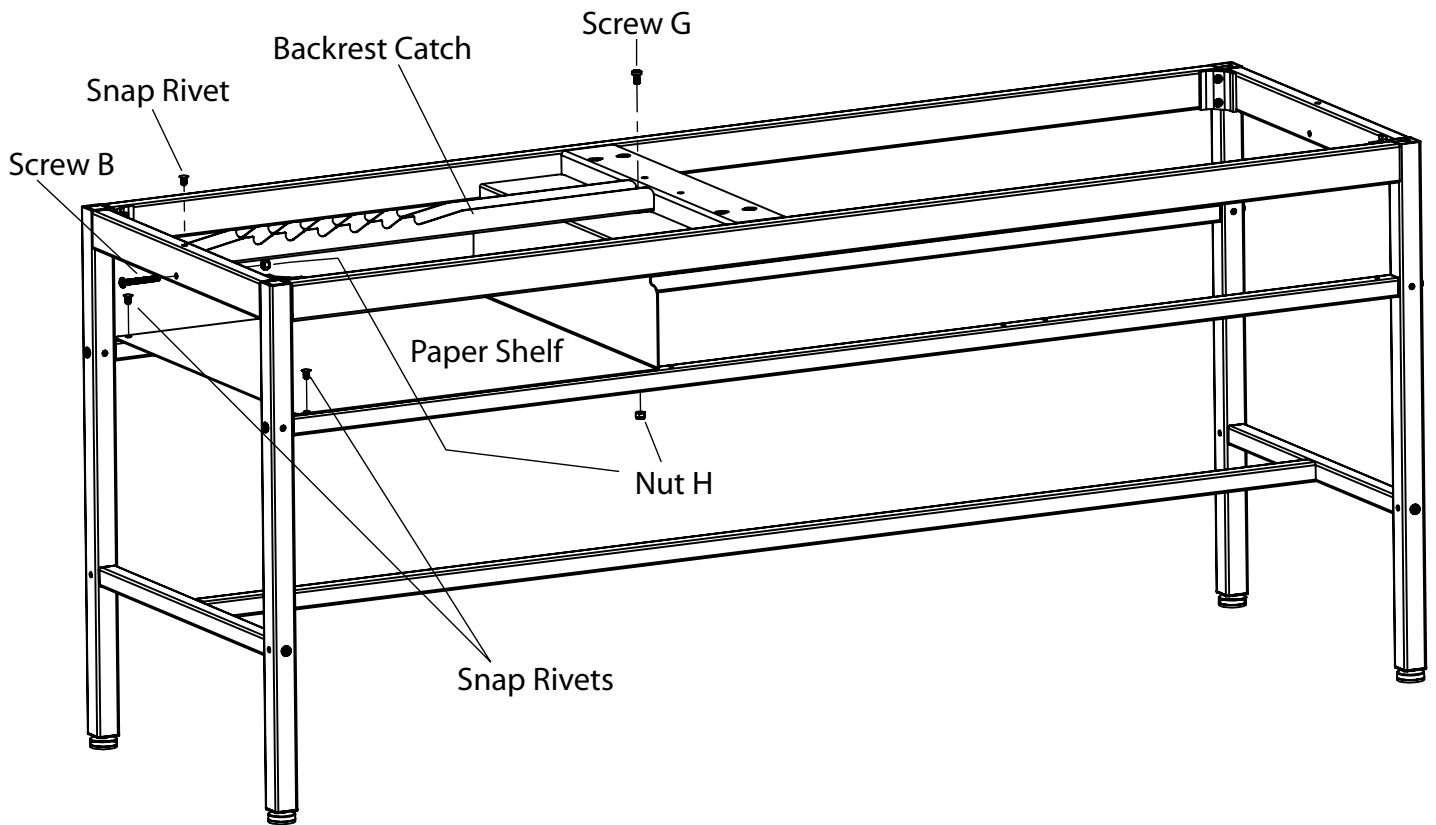


STEP A: Remove one Drawer Support screw from the Head End of the table as shown.

STEP B: Insert Paper Shelf between the Top Rail and the loose Drawer Support. Make sure the Paper Shelf is mounted below the Tab as shown.

STEP C: Reinstall the Drawer Support and its corresponding screw. Do not tighten at this time.

MODELS 2230 and 2240 STEP 5



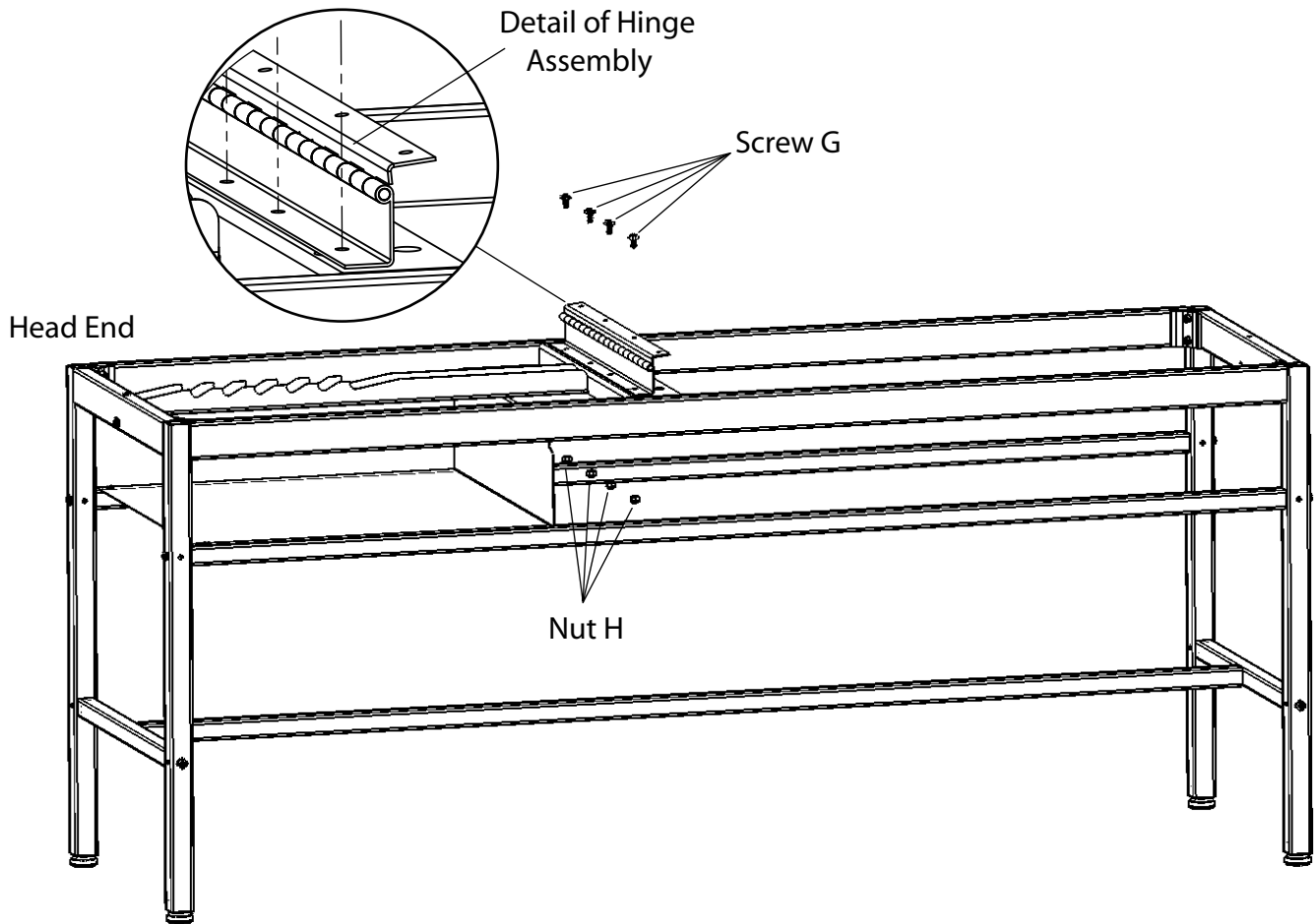
STEP A: Install Backrest Catch as shown in the drawing above.

CAUTION ⚠ The Backrest Catch needs to be positioned on top of the Tab shown in STEP 4.

STEP B: Install Screw B (1/4"-20 x 2") through frame rail and into Backrest Catch and tighten Nut H (1/4"-20). Insert Screw G (1/4"-20 x 1/2") through Backrest Catch and Tab. Tighten Nut H onto Screw G.

STEP C: Install 3 Snap Rivets.

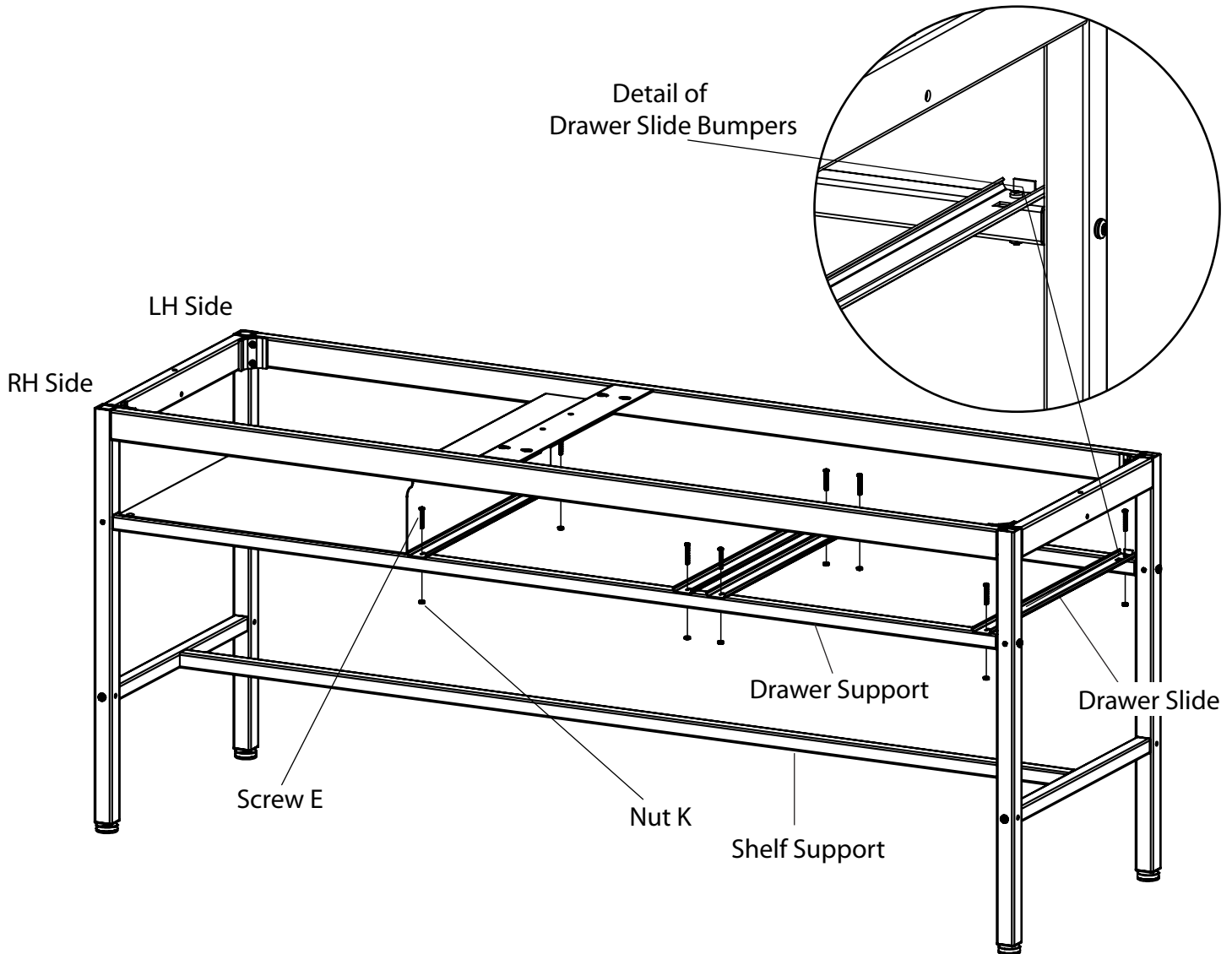
MODELS 2230 and 2240 STEP 6



STEP A: Align holes in Hinge with holes in frame. Hinge must be oriented as shown with Hinge mounting flange facing the Head End of the table.

STEP B: Install 4 Screws G (1/4"-20 x 1/2") into the Hinge and through the frame. Fasten with 4 Nuts H (1/4"-20) and tighten.

MODELS 2230 and 2240 STEP 7



STEP A: The Drawers can be installed so they open from the right hand side (RH Side) or the left hand side (LH Side) of the table. The view above and the instructions below are for a right hand installation.

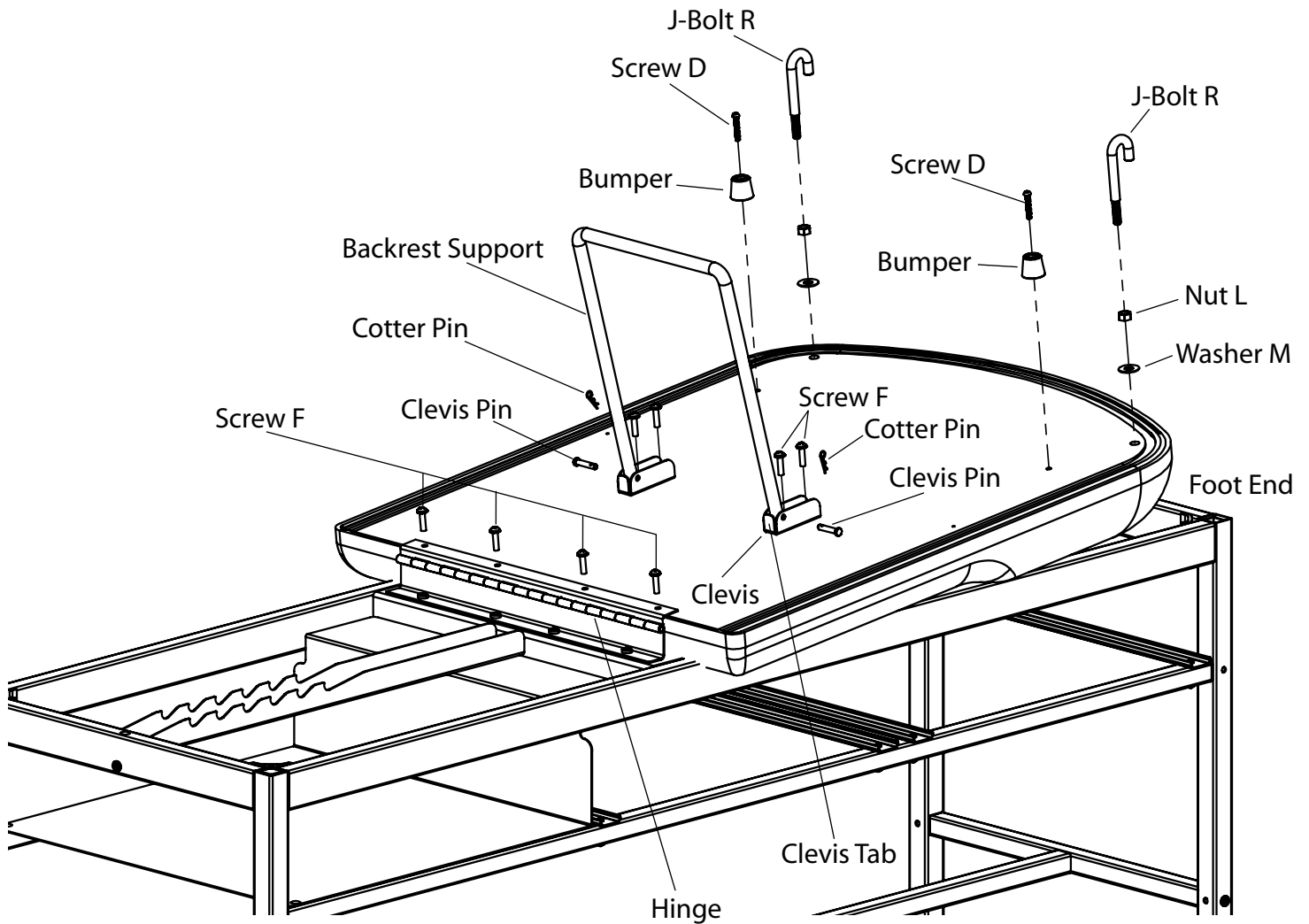
STEP B: Position the (4) Drawer Slides on top of the Drawer Support rails. The rubber bumpers should be on the LH Side of the table, facing upward.

STEP C: Tighten Screws E (8-32 x 1 1/4") into Nuts K (8-32) at 8 locations.

STEP D: **Tighten all screws at this time.**

- Legs to Frame (8 screws using Allen Wrench provided)
- Drawer Supports to Legs (4 screws)
- Shelf Support to Legs (4 screws)

MODELS 2230 and 2240 STEP 8



STEP A: Lay upholstered backrest on Foot End of frame as shown.

STEP B: Slide backrest down until it bumps up against Hinge.

STEP C: Insert the four backrest-to-hinge Screws F (1/4"-20 x 1") and tighten.

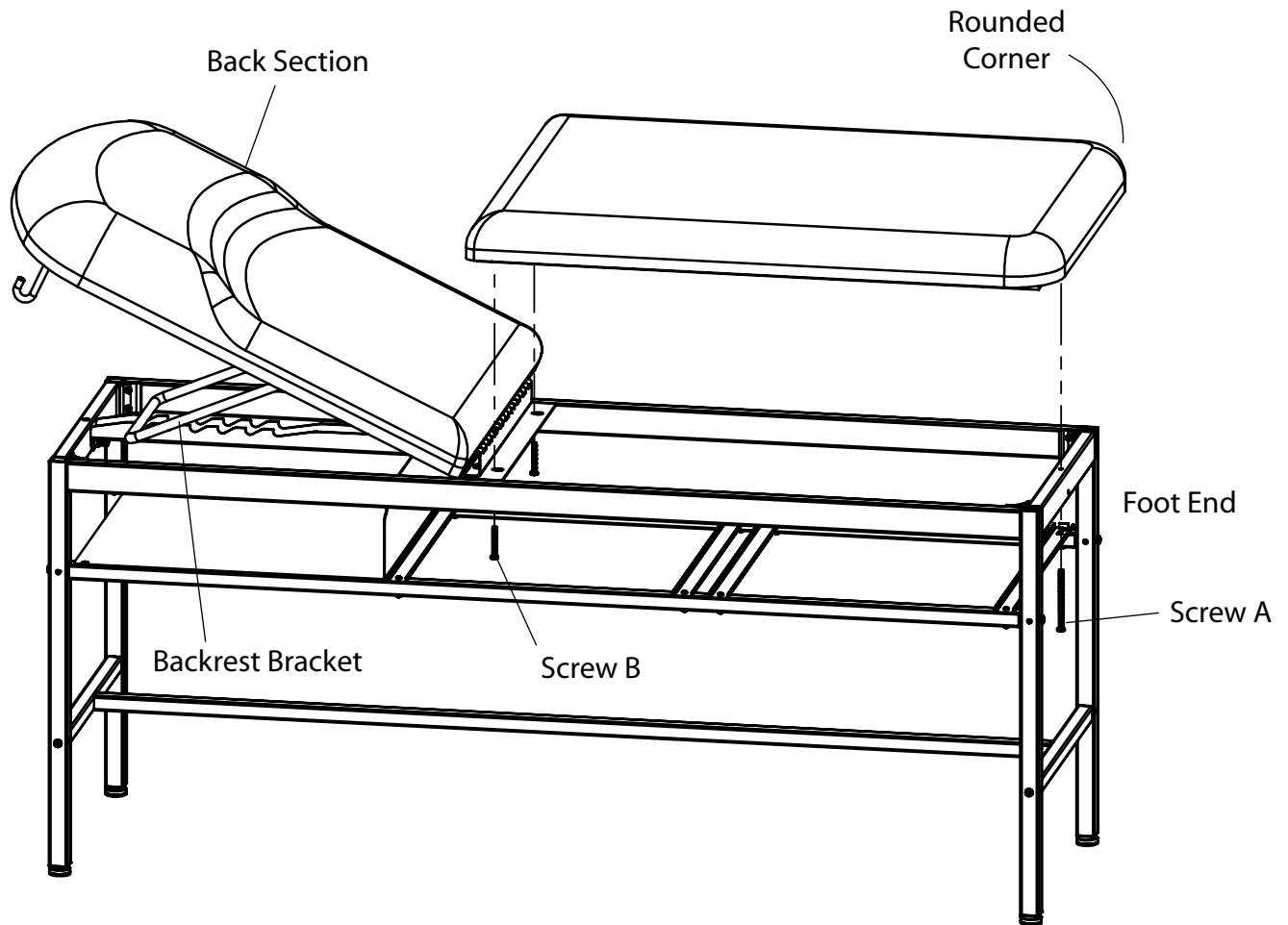
STEP D: Insert Screws F (1/4"-20 x 1") through Clevises and tighten. Note Clevis Tab orientation.

STEP E: Install Backrest Support with Clevis Pins and Cotter Pins.

STEP F: Insert Screws D (10-24 x 1 1/4") through Bumpers and tighten.

STEP G: Thread Nut L (3/8") completely onto J-Bolt R. Place Washer M onto J-Bolt and thread into backrest as shown. Position J-Bolt toward head end of table as shown and tighten nut against backrest.

MODELS 2230 and 2240 STEP 9



STEP A: Rotate Back Section until Backrest Bracket is engaged or top is horizontal on frame.

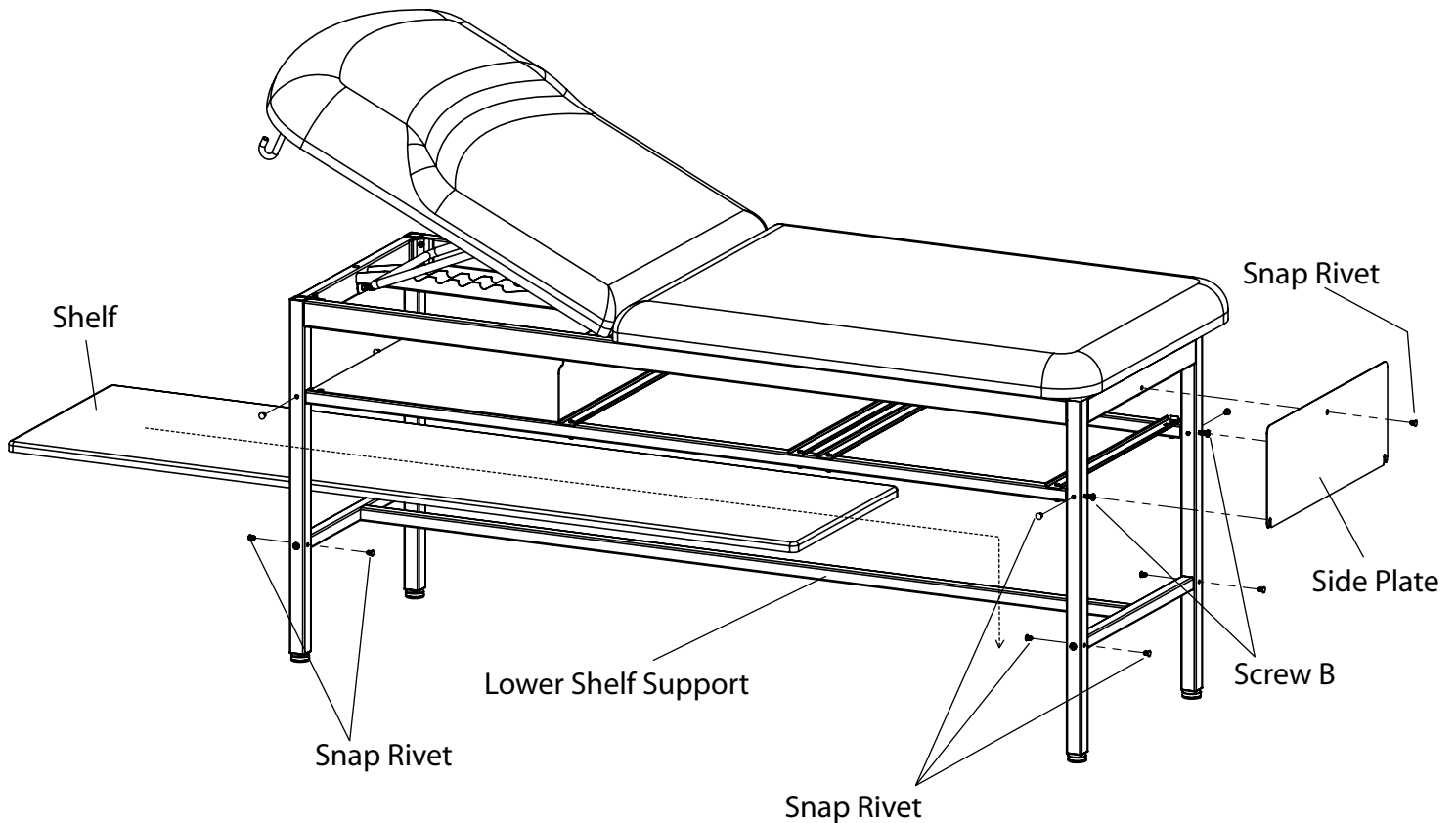
STEP B: Set upholstery bottom on frame, with Rounded Corners placed at the Foot End of the table.

STEP C: Install Screw A (1/4"-20 x 4") through frame and into upholstery.

STEP D: Install 2 Screws B (1/4"-20 x 2") through frame and into upholstery.

STEP E: Tighten Screws.

MODELS 2230 and 2240 STEP 10



STEP A: Loosen Screws B at the foot of the table where indicated just enough to allow installation of the Side Plate.

STEP B: Mount Side Plate so that the slots of the plate straddle the Screws B that were just loosened.

STEP C: Press the top of the Side Plate up against the frame and align the top hole of the plate with the hole in the frame. Insert Snap Rivet into the aligned holes.

STEP D: Retighten Screws B.

STEP E: Insert the Shelf through either end of the table. Position the Shelf so that the locating blocks, on the bottom of the Shelf, are straddling the Lower Shelf Support.

STEP F: Install Snap Rivets into unused holes in legs and frame.

INSTALLATION

Leveling the Table (Figure A)

A Leveling Screw Pad is located at each corner under the table's base. Adjust the four Leveling Screw Pads, by turning them up or down, to achieve a solid, level installation.

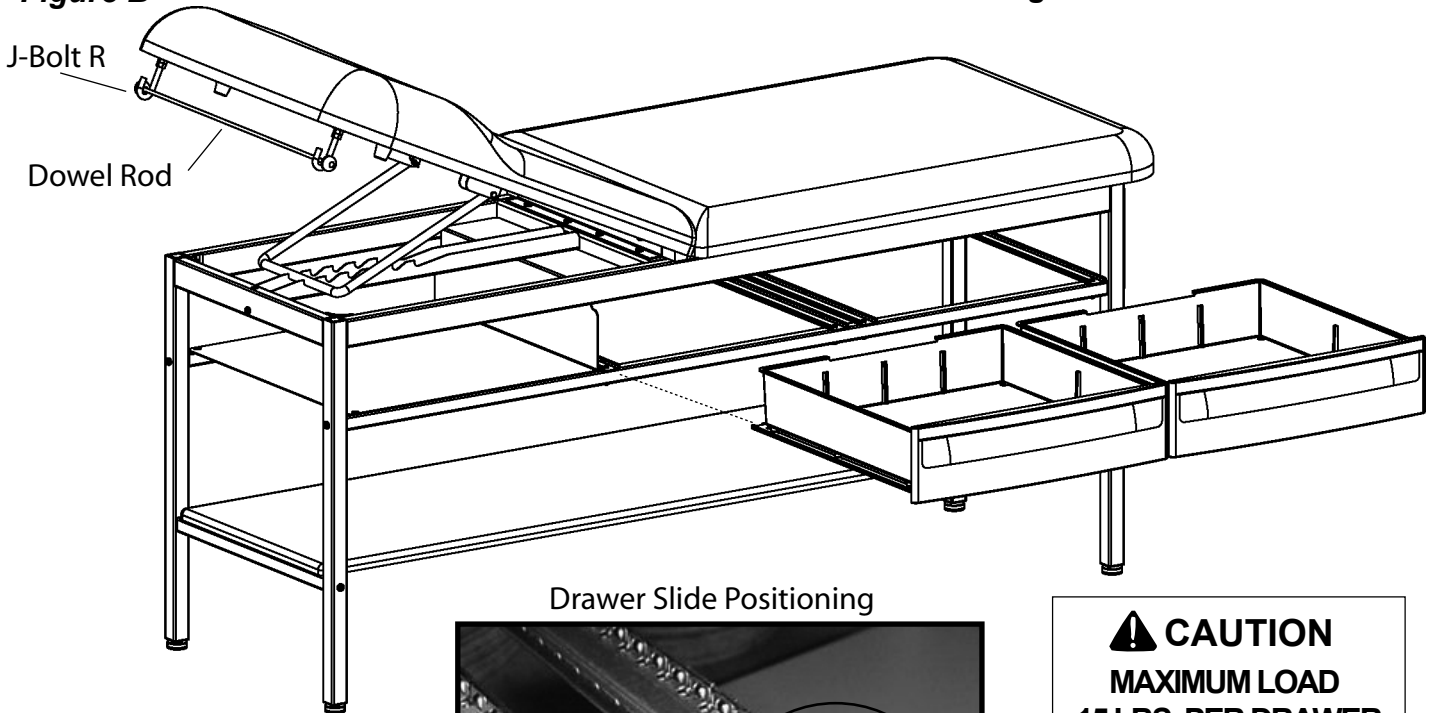


Figure A

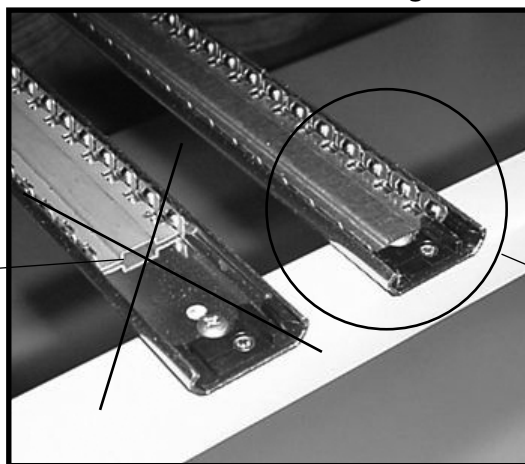
Installing the Paper Roll (Figure B)

Slide the Dowel Rod through the paper roll and hang the Dowel Rod on the J-Bolts. Ensure a secure fit before using the paper roll dispenser.

Figure B



Drawer Slide Positioning



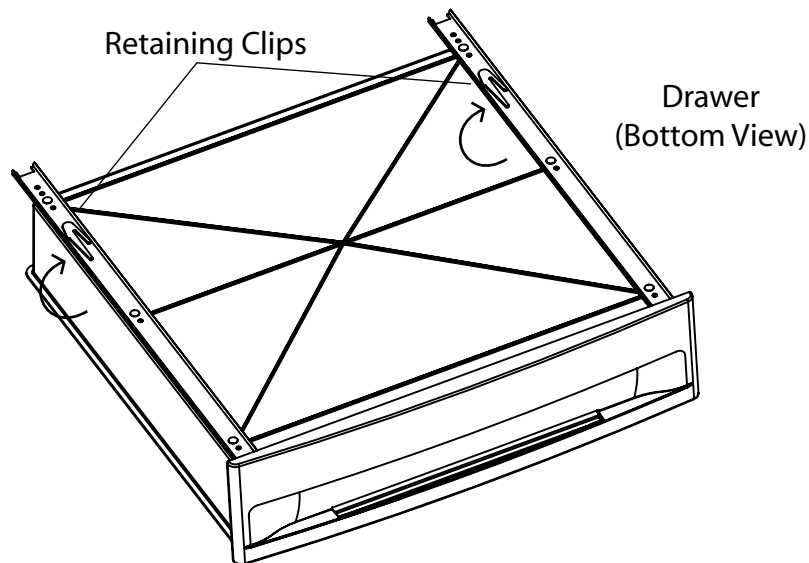
Incorrect Positioning

CAUTION
MAXIMUM LOAD
15 LBS. PER DRAWER

Correct Positioning

To install drawers, pull drawer slides forward and align the slots of the drawer-mounted slides to their mate on the frame. Push the drawers inward until they reach their fully-closed position.

DRAWER REMOVAL



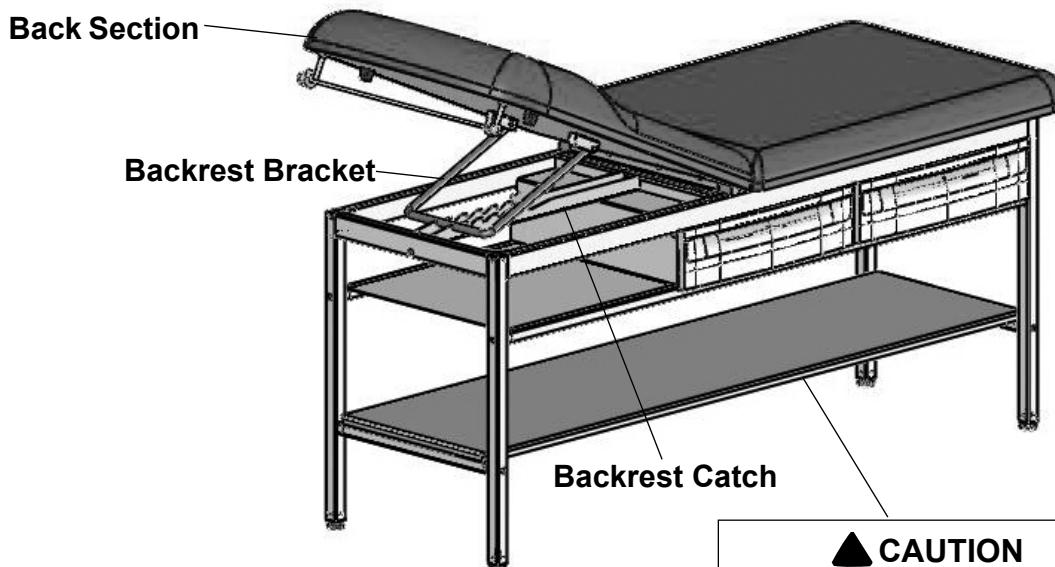
To remove Drawer from bottom slide support: Fully extend the Drawer, locate the Retaining Clips and push both clips in a clockwise direction as you pull the Drawer forward and out.

OPERATION

Back Section

To Raise Back Section: Lift Back Section of upholstery to desired inclination and secure Backrest Bracket into one of the six Backrest Catch slots.

To Lower Back Section: Lift Back Section of upholstery and lift Backrest Bracket out of the Backrest Catch while lowering the Back Section.



CAUTION
DO NOT USE SHELF AS A STEP!

MAINTENANCE

Preventative Maintenance

- Inspect the mechanical functions to ensure satisfactory operation.
- Check fasteners to make sure they are present and secured tightly.

Cleaning

Upholstery

Regular care should be maintained by daily wiping with a damp cloth or sponge and periodic cleaning with a mild soap and water solution. Let air dry before placing anything on top of upholstery.

⚠ WARNING

The upholstery material that covers the top of the table is resistant to most medicinal-type stains, but may be damaged by solvents and dyes. Remove any fluids which are spilled on the upholstery immediately. All surfaces should be cleaned within your facilities guidelines concerning antimicrobials and bloodborne pathogens.

Painted Metal Surfaces

Wipe all painted metal surfaces with a clean cloth at least once a week.

Drawers

Wipe out drawers with a damp cloth or sponge on a regular basis, along with periodic cleaning with a mild soap and water solution. The drawers may be removed for cleaning. (See page 15.)

ACCESSORIES

Description	Reorder No.	Use/Restrictions
Replacement Upholstery	210115-XX 220115-XX	Intended Use - Replacement top with hardware for 2230 and 2240 Treatment Tables in 18 standard colors.
Special Upholstery	210115-SP 220115-SP	Intended Use - Allows the purchase of specialty vinyls in different colors with the model 2230 and 2240 Treatment Tables. (Additional charges may apply.)
Front Drawer Organizer	100407	Intended Use - Optional front drawer dividers for separation and organization.
Paper Straps	10196	Intended Use - Secures paper in two locations to table.

LIMITED WARRANTY

The Brewer Company GENERAL TERMS AND CONDITIONS

Warranty: The Brewer Company warrants its products to be free from defects in parts and workmanship under normal use and service for a period of three (3) years from date of shipment. The Brewer Company warrants its power tables to be free from defects in parts and workmanship under normal use and service for a period of three (3) years from date of shipment. The Brewer Company warrants its exam tables to be free from defects in parts and workmanship under normal use and service for a period of three (3) years from date of shipment. The Brewer Company warrants its lighting products to be free from defects in parts and workmanship under normal use and service for a period of one (1) year from date of shipment. The Brewer Company will not be responsible for any Product failure due to abuse, misuse, modification or improper use or for any use which exceeds the published capacity of the Product. Products returned by prepaid freight for inspection and found defective will, at the option of The Brewer Company, be repaired or replaced at no charge, but no claim for outside labor or other charges will be allowed. Products must not be returned without proper written authorization from The Brewer Company. Requests for authorization must be in writing and accompanied by the original purchase order, The Brewer Company invoice number and a copy of the invoice for the Product. **THIS WARRANTY IS EXCLUSIVE AND IN LIEU OF ALL OTHER WARRANTIES AND REMEDIES WHATSOEVER, INCLUDING BUT NOT LIMITED TO IMPLIED WARRANTIES OF MERCHANTABILITY AND/OR FITNESS FOR A PARTICULAR PURPOSE. NO AGENT, EMPLOYEE, OR REPRESENTATIVE OF THE BREWER COMPANY HAS ANY AUTHORITY TO MAKE ANY AFFIRMATION, REPRESENTATION, OR WARRANTY NOT SET FORTH IN THESE TERMS AND CONDITIONS CONCERNING ANY PRODUCTS OF THE BREWER COMPANY. THE BREWER COMPANY SHALL HAVE NO LIABILITY WHATSOEVER FOR DAMAGES CAUSED BY TRANSPORTATION, ACCIDENTS, FIRE, UNAUTHORIZED ALTERATION, OR NORMAL WEAR OR ABUSE, NOR SHALL THE BREWER COMPANY HAVE ANY LIABILITY WHATSOEVER FOR ANY INCIDENTAL OR CONSEQUENTIAL DAMAGES, including without limitation, lost profits or any such damages arising from (a) the design, manufacture, sale, delivery, installation, repair, operation or use of products of The Brewer Company or any part thereof, (b) any actual or alleged failure or defect in products of The Brewer company or any part thereof, or (c) any actual or alleged breach or non-performance by The Brewer Company of this limited warranty.**

Freight Claims: Upon receipt, merchandise should be carefully examined to ascertain that proper amount has been received in good condition. Any claim for shortage or damage must be made with delivering carrier within five (5) days from receipt of goods. We do not assume any responsibility for loss or damage in transit, and compensation for such loss must be obtained from the carrier.