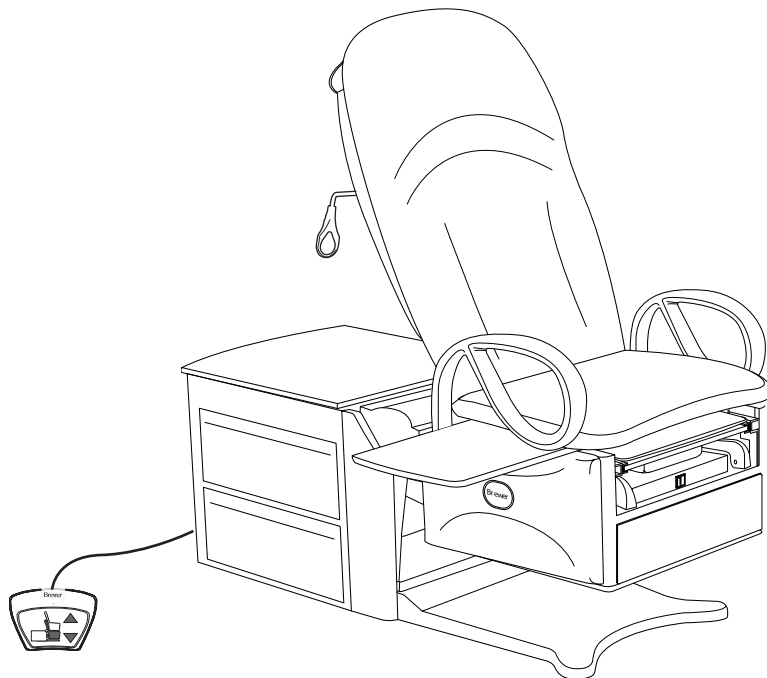


BrewerAccess High-Low EXAM TABLE

Installation & Operation Manual



<i>Important Information</i>	2	<i>Operation</i>	8
<i>Safety Information</i>	3	<i>Table Adjustments</i>	15
<i>Component Identification</i>	3	<i>Maintenance</i>	17
<i>Specifications</i>	4	<i>Troubleshooting</i>	18
<i>Electrical Requirements</i>	4	<i>Options, Accessories & Common Service Parts</i> ..	24
<i>Installation</i>	5	<i>Limited Warranty</i>	25

The Brewer Company, LLC
 N88 W13901 Main Street, Suite 100
 Menomonee Falls, WI 53051
 P 1.888.Brewer.1
 F 262.251.2332
www.brewercompany.com

IMPORTANT INFORMATION

General

The Brewer Access High-Low Exam Table Model 6000 Series is designed to provide positioning and support of patients during general examinations conducted by qualified medical professionals. Read and understand all operating instructions, safety information, and maintenance requirements contained in this manual prior to operating the table. Become familiar with all of the table functions before using it with a patient.

The Brewer Access High-Low Exam Table is primarily used in examination rooms for general examinations and minor procedures. The wide variety of positions provided by one or two powered motions, slide-out leg support, slide-out leg extension, stirrups and treatment pan, create a safe and convenient patient positioning table for most examinations and procedures performed in the doctor's office.

The table is easily adjusted to a wide variety of positions using the convenient foot control provided with the table. The table height can be adjusted from 19" to 37". The table seating surface on models 6001, 6501, and 6801 can be moved from the normal horizontal position to an angle of 5°. The backrest can be adjusted from a flat lying down position, to an 80° angle for seating.

In addition to the electronically controlled positions noted above, several manual adjustments are available:

- The leg support can be extended 14" for the patient prone position. If more length is needed, the leg extension can be pulled out to provide an additional 6".
- Stirrups may be manually extended through infinite positions and four lateral positions.
- A removable treatment pan is built-in underneath the leg extension for use during examinations.
- Grab bars attached to each side of the table may be rotated out of position or removed for improved access to the patient.
- A pass through work surface, stored under the seat, may be pulled out from either side of the table.
- Storage drawers at the front and side of the table may be used for supplies. The pass through side drawers may be pulled out from either side of the table.
- A storage cover at the rear of the table can be lifted to store paper rolls.

Models 6000, 6001, 6500 and 6501 are designed to accommodate a maximum patient weight of 450 lbs. Models 6800 and 6801 are designed to accommodate a maximum patient weight of 700 lbs.

Service

If you require assistance with the installation or operation of your Brewer table, call the Brewer Customer Service Department at **(1-888-Brewer1)**. Our trained staff will attempt to assist you in correcting the problem directly over the phone. If service is required, a factory authorized technician will be sent to your location.

Please fill in the following information for use when calling the Brewer Company or your distributor with questions regarding your unit. See Figure 1 for model and serial number location.

Date of Purchase _____

Serial Number _____

Model Number _____

Authorized Dealer Name _____

Dealer Phone Number _____

Dealer Address _____

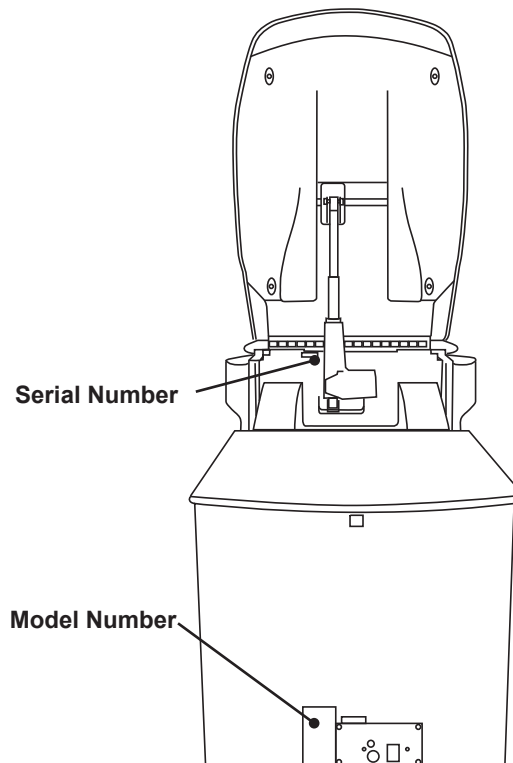



Figure 1. Model and Serial Number Location


SAFETY INFORMATION

Safety Information


The primary concern of The Brewer Company is that the equipment is operated and maintained with the safety of the patient and healthcare staff in mind. To ensure safe and reliable operation:

- Read and understand all instructions in this manual before attempting to install or operate the unit.
- Ensure that appropriate personnel are informed on the manual contents. This is the responsibility of the purchaser.
- Ensure that this manual is located near the table, or if possible permanently affixed to the table.

Failure to follow instructions with this symbol  could result in serious personal injury and/or damage to the unit.

 **DANGER** indicates an imminently hazardous situation which, if not avoided, will result in death or serious injury.

 **WARNING** indicates a potentially hazardous situation which, if not avoided, could result in death or serious injury.

 **CAUTION** indicates an imminently or potential hazardous situation which, if not avoided, may result in serious injury and/or equipment damage.

COMPONENT IDENTIFICATION

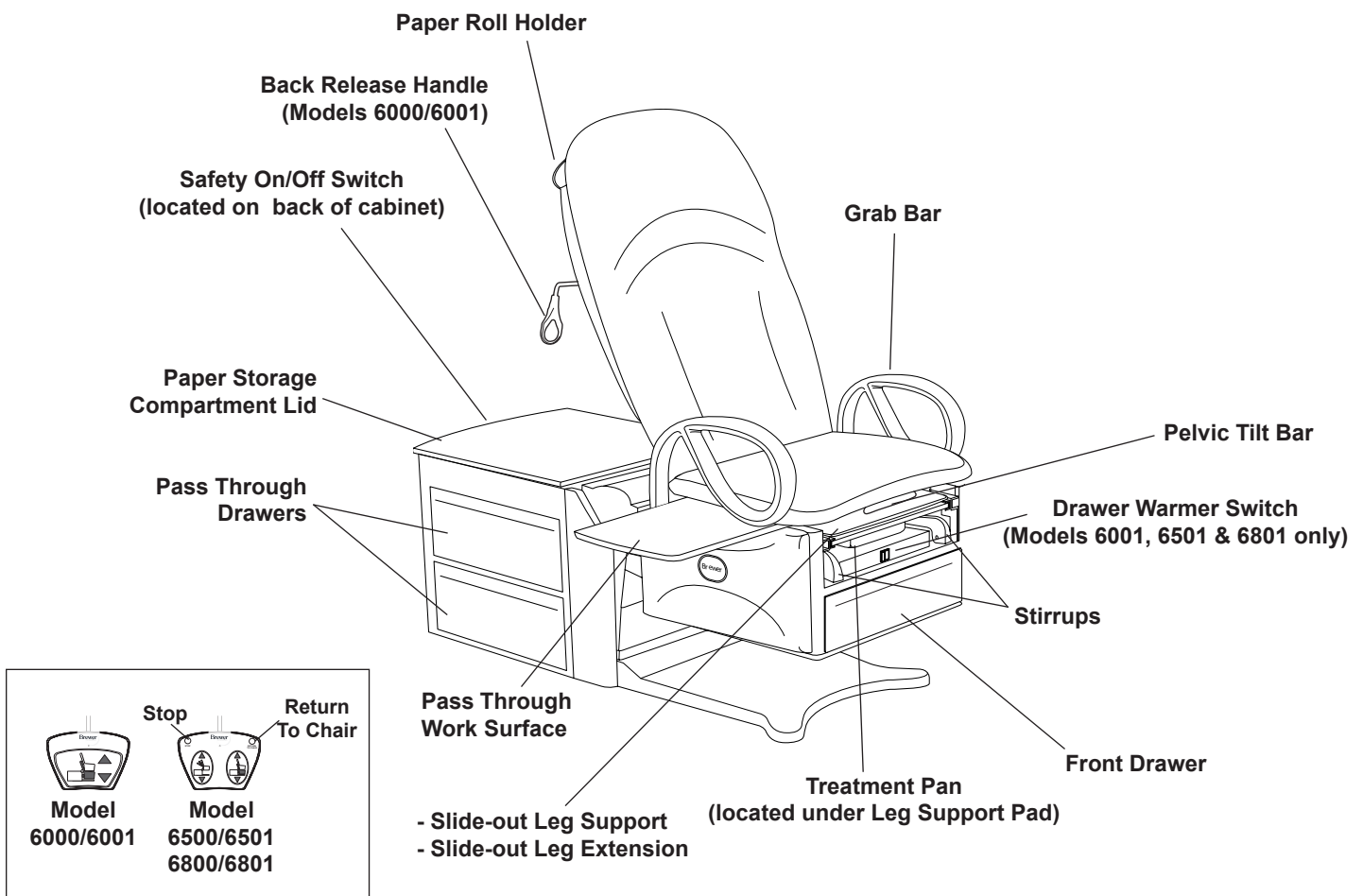


Figure 2. Component Overview

Foot Controls

SPECIFICATIONS

Weight of Table (Models 6000, 6001, 6500 & 6501).. 395 lbs.
 Weight of Table (Model 6800) 423 lbs
 Weight of Table (Model 6801) 432 lbs
 Load Rating (maximum):
 - Seat/Back 6800/6801 700 lbs.
 - Seat/Back 6000/6001/6500/6501 450 lbs.
 - Leg Support 50 lbs.
 - Leg Extension 50 lbs.
 - Pass Through Work Surface 15 lbs.
 - Grab Bars 100 lbs.
 Back Section Range 0° (horizontal) to +80° ± 5°
 Table Top Height Range 18 ± 0.5 in. to 37 ± 1.0 in.
 Pelvic Tilt Range
 (Models 6001/6501/6801 Only) 0° (horizontal) to 5° (up)
 Upholstery Dimensions:
 Upholstered Top 28.0 in. wide x 60 in. long
 Upholstered Leg Support 15.25 in. long x 18.5 in. wide
 Upholstered Leg Extension 6.0 in. long x 15.5 in. wide
 Overall Length 60 in. long
 With Leg Support Extended 72 in. long
 With Leg Extension Extended 78 in. long
 Electrical Requirement
 6000/6500/6800 115 VAC nominal, 60 HZ, 5.8 amps max.
 6001 115 VAC nominal, 60 HZ, 6.3 amps max.
 6001/6501/6801 W/Outlet... 115 VAC nominal, 60 HZ, 9.3 amps max.

Fuse Rating:
 Control Box Fuse Rating, 120V Models 250V/2.5A
 Option/Warmer Fuse Rating 250V/1.0A
 Option/Warmer & Outlet Fuse Rating 250V/3.0A
 Duty Cycle (10%)
 2 minutes on / 18 minutes off (motor run time)
 Power Cord Extends 70 in. (Minimum) from table.
 120V Models: 18 AWG / 3 conductor, (SJT grey jacketed junior hard service with hospital plug or detachable power cord.
 Type of protection
 against electrical shock
 Model 6000, 6500 and 6800 Class 2 Double Insulated
 Models 6001, 6501 and 6801 Class 1 Grounded
 Type of protection
 against electrical shock B applied parts
 Type of protection against ingress of water Ordinary
 Can accept paper rolls of 18 in. x 3.0 in.
 or 21 in. x 3.0 in.
 Certifications* UL60601-1; IEC60601-1;
 CAN-CSA C22.2 No. 601.1
 Operating Conditions:
 Temperature Range 65° to 85°F
 Relative Humidity 10% to 90%
 Transportation and Storage
 Temperature -20°F to 150°F
 Humidity 10% to 90%
 * UL classified in the United States and Canada per the standards listed above.

ELECTRICAL REQUIREMENTS

⚠ WARNING

When performing a cauterization or similar treatment, the patient must be insulated from the metal portions of the table by non-conductive material. Failure to do so may result in electrical shock or burns to the patient.

⚠ WARNING

Use 115 VAC, 60 Hz as noted on the rating label. Failure to do so may result in electrical shock to personnel and will result in damage to the table.

⚠ WARNING

Do not use this table in an explosive or oxygen-enriched atmosphere. Failure to do so may result in serious personal injury or death.

⚠ CAUTION

Do not use any power supply other than that listed on the rating label (Figure 1). Failure to do so may result in serious injury and/or equipment damage.

⚠ CAUTION

This product has been evaluated with respect to electrical shock, fire, and mechanical hazards only in accordance with UL60601-1; IEC60601-1; CAN/CSA C22.2 No. 601.1

Electromagnetic Interference

This product is designed and built to minimize electromagnetic interference with other devices; however, if interference is noticed between another device and this product, remove the interfering device from the room or plug this product into an isolated circuit.

INSTALLATION

Overview

Perform the following sequence in order when setting up the table:

- Uncrating
- Leveling the Base
- Installing Grab Bars

Uncrating

NOTE: Inspect all boxes and contents for damage. Report any damage to the carrier immediately.

CAUTION

To avoid damaging the table's upholstery or painted surfaces, **DO NOT** use a knife or other sharp object to open the packaging. Also, to avoid damaging the table lift only at points indicated in Figure 3. Do not lift at other points as indicated by the note in Figure 4.

CAUTION

Do not plug power into table prior to removal of all packaging materials.

WARNING

The table weighs approximately 395 lbs. Use enough personnel to remove the table from the shipping pallet. Also, use proper lifting techniques when lifting. Failure to do so could result in serious injury.

CAUTION

Do not use the stirrups to lift or move the table. The Leg Support may be used to lift the table. Do not pull on the Leg Support to slide the table.

See **SPECIFICATIONS** table for electrical rating of this unit. The three-pronged grounding plug on the table power cord must be plugged into a matching three-pronged, grounded, non-isolated, correctly polarized 115 VAC receptacle.

CAUTION

Do not lift table by seat upholstery. Damage to the pelvic tilt mechanism and/or upholstery may occur.

1. Remove stretch wrap surrounding table.
2. Cut and remove banding and protective foam tube attaching table to pallet.
3. Remove the 6 steel shipping brackets securing the table to the pallet, one at each of the four corners and one at the middle on each side of the table (Figure 3). The brackets engage with the table levelers to hold the table securely to the pallet. Remove the 2 bolts from each bracket using a 7/16" socket or wrench. Take care not to scratch the unit when turning the wrench. Remove brackets from levelers once bolts are removed.
4. Remove the 2 screws attaching the spacers on either side of the wooden U-shaped brace located under the front corners of the cabinet (Figure 4). Remove the 2 screws attaching the U-shaped brace to the pallet (Figure 4).
5. Remove the foot control from the rear drawer. Insert the foot control cord into the receptacle at the bottom of the rear panel (Figure 10). Secure with locking ring.

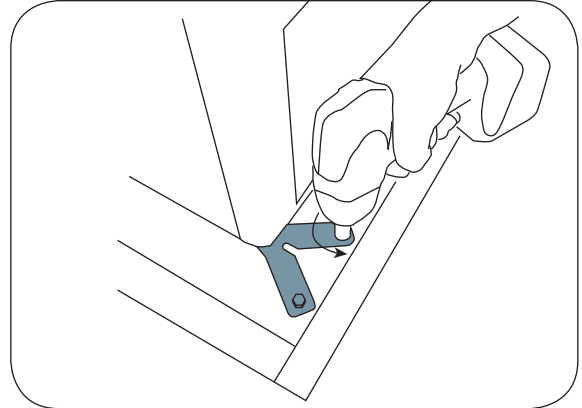


Figure 3. Remove Shipping Brackets

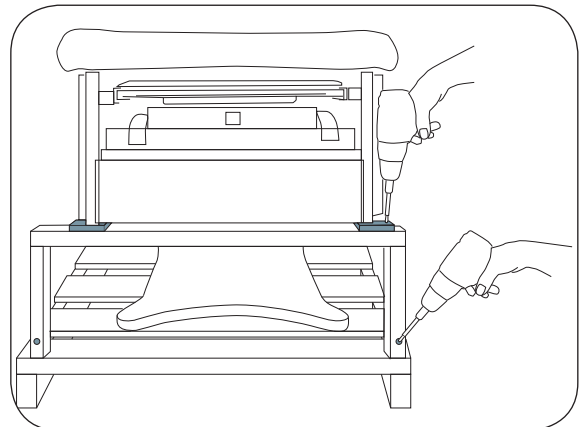


Figure 4. Remove Spacers and U-Brace

INSTALLATION (continued)

6. Remove the gray power cord from the rear drawer. Plug the power cord into the socket at the bottom of the rear panel (Figure 10). Plug the power cord into a 120 Volt grounded receptacle.
7. Make sure the black On/Off Switch at the back of the table is on (Figure 14).
8. Depress the switch on the foot control for lifting the seat section until all the weight is removed from the wooden U-shaped brace. Remove the brace and spacers.
9. Unplug the power cord from the table and the receptacle. Remove the foot control from the table. Observe the following cautions when lifting the table from the pallet.
 - Do not lift table by stirrups (Figure 5).
 - Lift front of table by leg support (Figure 5). Pull leg support (not leg extension) out approximately 6".
 - Do not lift by upholstery (Figure 6).
 - Lift rear of table by pushing top rear pass-through drawer to one side and using opening as a hand hold (Figure 7).
 - Whenever moving table, lift and lower. Do not drag table. Damage to the levelers may occur.
 - Do not push on backrest. Damage to the actuator (mechanism that raises and lowers the backrest) may occur (Figure 8).

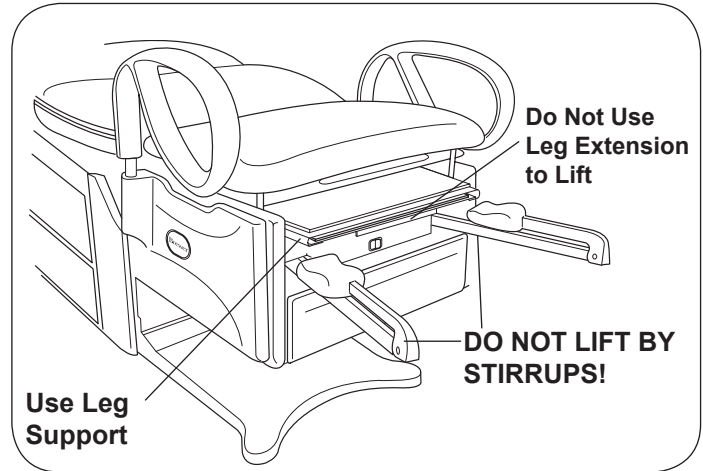


Figure 5. Stirrups & Leg Support



Figure 6. Do Not Lift by Upholstery

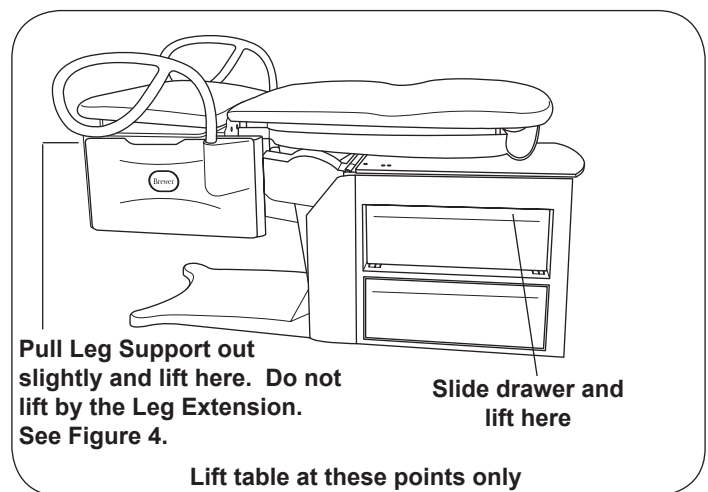


Figure 7. Table Lift Points



Figure 8. DO NOT Push on Backrest

INSTALLATION (continued)

Leveling the Table

A leveling screw pad (Figure 9) is located in six places under the table's base and rear cabinet. Adjust the six leveling pads to achieve a solid, level installation.

Installing the Power Cord (Models 6001, 6501 and 6801)

1. Remove the power cord from the shipping bag.
2. Insert the female plug end of the power cord into the receptacle on the table (Figure 10). Make sure the tabs are aligned and the plug is fully seated.

Note: The power cord is installed at the factory on model 6000, 6500 and 6800.

Installing the Foot Control

1. Insert the male plug of the foot control cord into the receptacle on the table (Figure 10). Make sure the pins are properly orientated and the plug is fully seated.
2. Turn the locking ring clockwise to secure the plug to the table.

Installing Grab Bars

1. Remove from drawer.
2. Grab bars fit on either side.
3. Align pin on grab bar shaft with mating slot on side of table. See Figure 11.
4. Push grab bar all the way down and rotate to front of table.
5. Push grab bar down until it engages to prevent left or right movement.

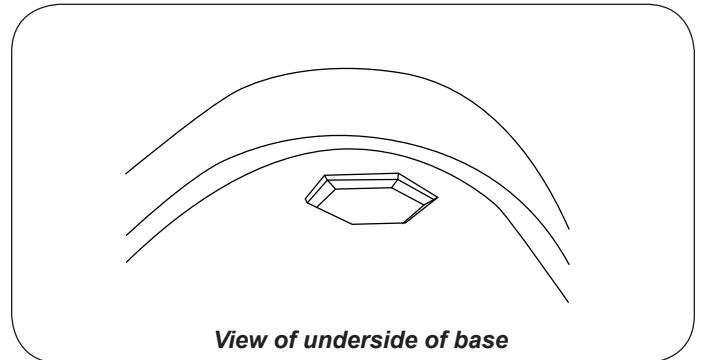


Figure 9. Leveling Screw Pad (located under table)

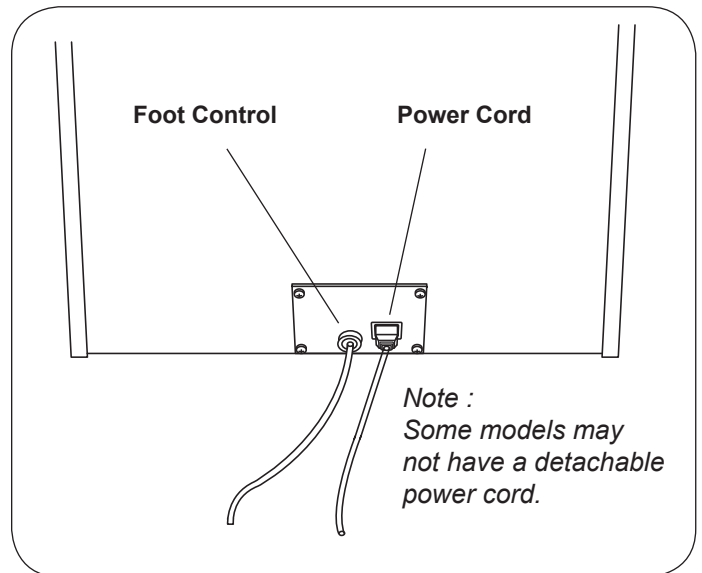


Figure 10 Power Cord and Foot Control.

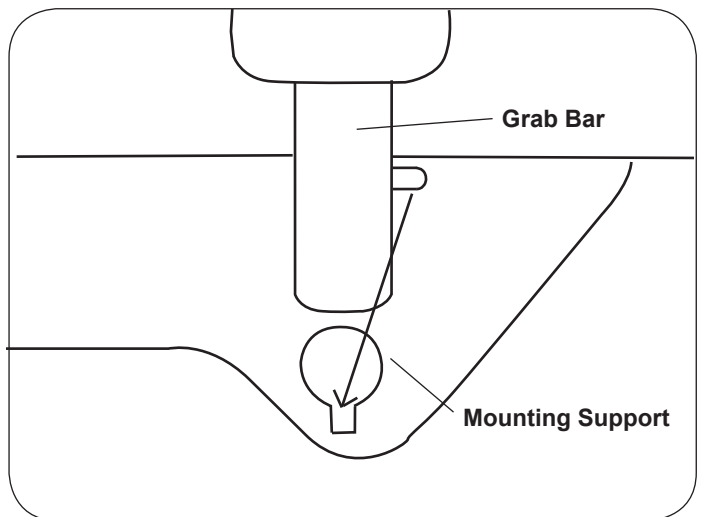


Figure 11. Grab Bar

OPERATION

General

⚠ DANGER

Do not use this table in an explosive or oxygen-rich atmosphere. To do so will result in an explosion or fire.

⚠ WARNING

If the table malfunctions, immediately remove your foot from the controls, unplug the power cord from the electrical receptacle, and assist the patient from the table. If table continues to malfunction, call for service. Do not attempt to repair table yourself.

⚠ WARNING

Before initiating power, keep personnel and equipment clear of the table movement to avoid personal injury or equipment damage.

⚠ CAUTION

The foot control is moisture resistant and runs on low voltage, eliminating shock hazards. However, to avoid temporary or permanent damage to the foot control, do not immerse in water or liquids.

⚠ CAUTION

Keep foreign objects away from foot control. To avoid accidental operation, be sure the foot control is NOT positioned below the front of the table. Failure to do so could result in unwanted motion and possible damage to the table.

NOTE: For optimum table performance, allow the table to reach room temperature before operating.

NOTE: The table is not designed for continuous operation. The control system includes a thermal overload safety switch to protect from overheating. If the table is operated continuously causing the control to exceed its allowable operating temperature, the thermal overload safety switch will shut off. If normal operation ceases, do not attempt to operate the table. Allow the table to cool for 10-15 minutes before attempting to use again. The thermal overload switch will automatically reset when it has reached a safe operating temperature.

NOTE: The control system is protected by a fuse to prevent excessive current draw which could damage the system. If operation does not resume after a cooling period of one hour, contact your dealer or an authorized service center for repair.

⚠ WARNING

Keep personnel and equipment clear of table before initiating movement to avoid personal injury or damage to the equipment.

NOTE: Each control function will automatically stop moving when either the UP or DOWN travel limit is reached. If the foot pedal is pressed with travel at its limit, the actuator will not operate. Sensors prevent the actuator motor from operating when travel limit has been reached, preventing wear of the actuator.

Model Configurations

Model	Power Back	Pneumatic Manual Back	Pelvic Tilt	Drawer Warmer	Return To Chair
6000		X			
6001		X	X	X	
6500	X				X
6501	X		X	X	X
6800	X				X
6801	X		X	X	X

OPERATION (continued)

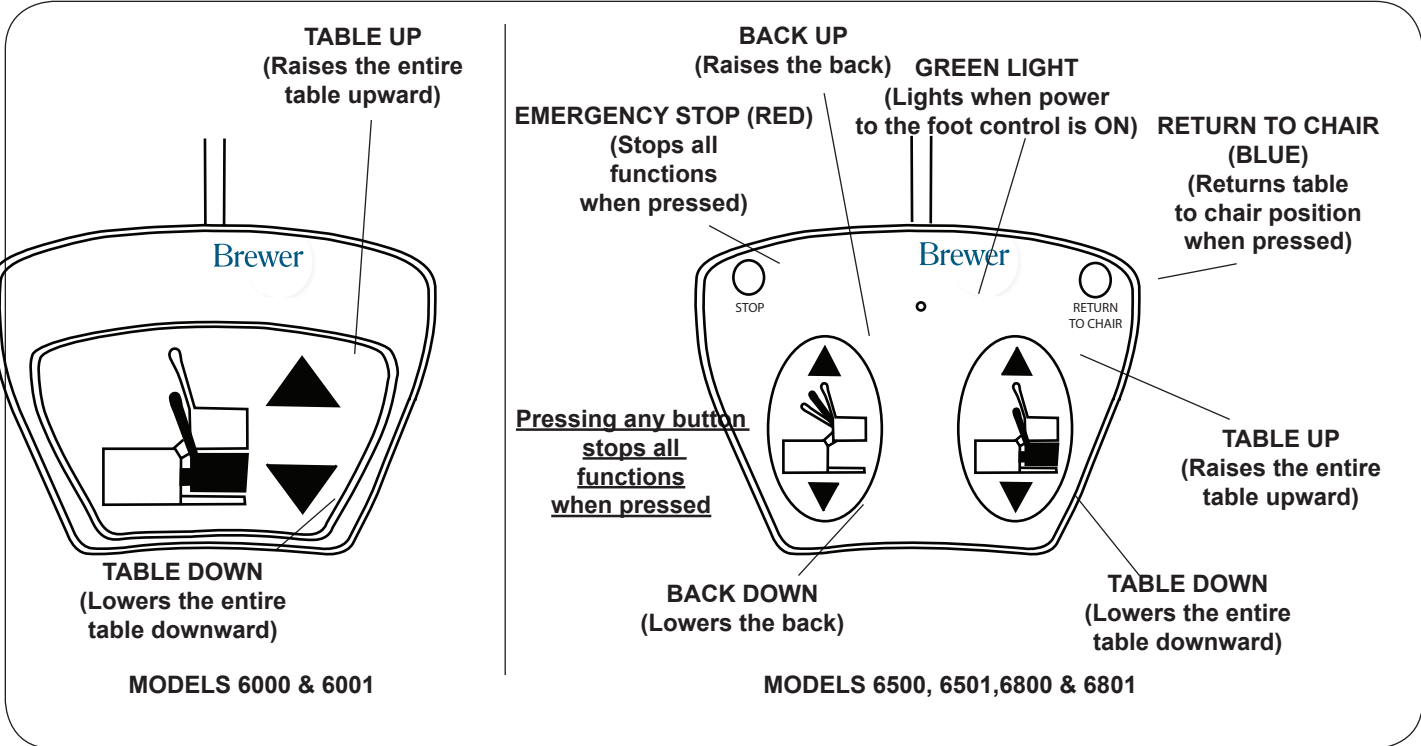


Figure 12. Foot Controls

Models 6000 & 6001

Models 6000 and 6001 are equipped with a single foot pedal that controls the raising/lowering of the table.

Models 6500, 6501, 6800 & 6801

Models 6500, 6501, 6800 and 6801 are equipped with a dual pedal foot control that controls the raising/lowering of the table and raising/lowering of the seat back. In addition, the control features the following:

Return to Chair: When pressed, the table automatically returns to the low chair position. The seat back will rise to the full up position and the table will lower to the full down position and stop. If the Emergency Stop or either pedal is pressed while the table is in motion, the system will return to manual mode and all motion will stop.

Emergency Stop: When pressed, stops the motion of all functions.

Green Light: Indicates that there is power to the foot control (Safety On/Off switch at back of table is ON).

CAUTION Do not leave patient unattended when using the Return To Chair feature.

OPERATION (continued)

Seat and Backrest Safety Switches

All Models

All models are equipped with safety switches. They are located inside the backrest cover, on the seat back and on the bottom of the chair assembly. Each safety switch automatically stops the lowering function if an obstruction is encountered (Figure 14).

Powered Backrest (Models 6500, 6501, 6800 and 6801)

Models 6500, 6501, 6800 and 6801 are equipped with safety switches on the rear of the backrest which automatically stops the lowering function of the seat and back if an obstruction is encountered.

Depress the BACK UP pedal and remove the obstruction.

Pneumatic Manual Backrest (Models 6000 & 6001)

The safety switches automatically stop the lowering function of the seat if an obstruction is encountered.

Safety On/Off Switch

All Models

The On/Off switch (located on the back of the rear cabinet, Figure 14) can be set to the OFF position to disable all movement of the table. Power to the drawer warmer (if so equipped) and other portions of the table will remain on.

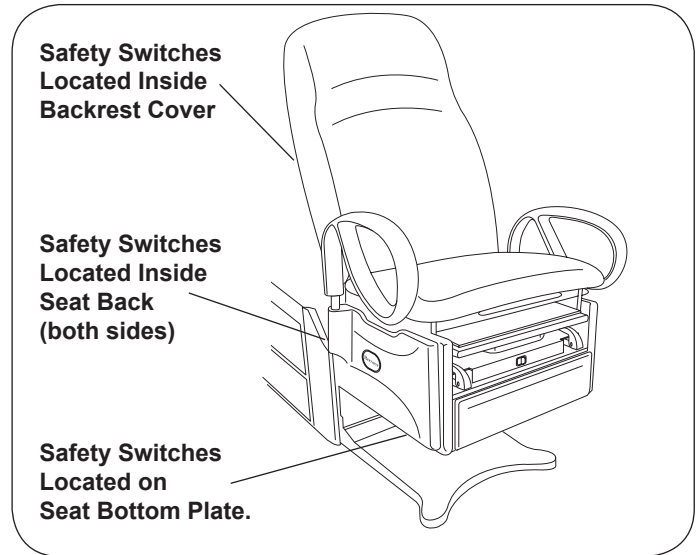


Figure 13. Seat and Backrest Safety Switches

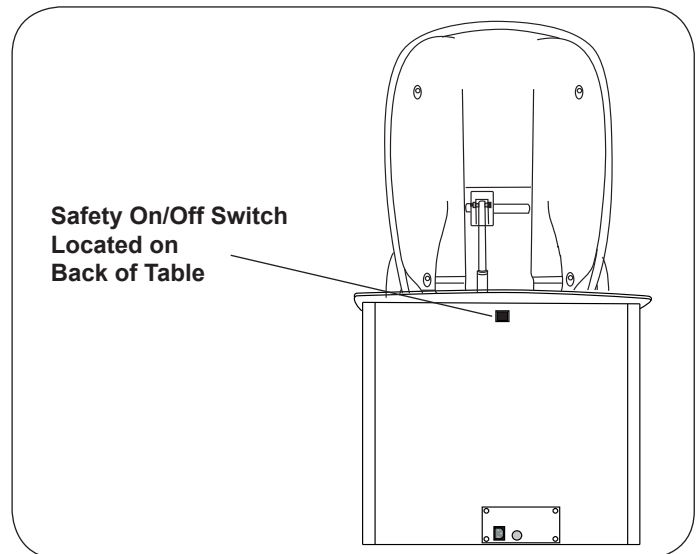


Figure 14. On/Off Safety Switch

OPERATION (continued)

Grab Bars

In the forward (normal use) position the grab bars lock into place preventing left or right rotation.

The grab bars can be rotated to the side of the table for improved access to the patient. Pull up on the grab bar and rotate to the desired position. The grab bar locks in the front and rear position (Figure 15).

NOTE: The grab bar can be removed from the table by pulling up on the grab bar, rotating it to the 90° position, and then lifting it out of its holder.

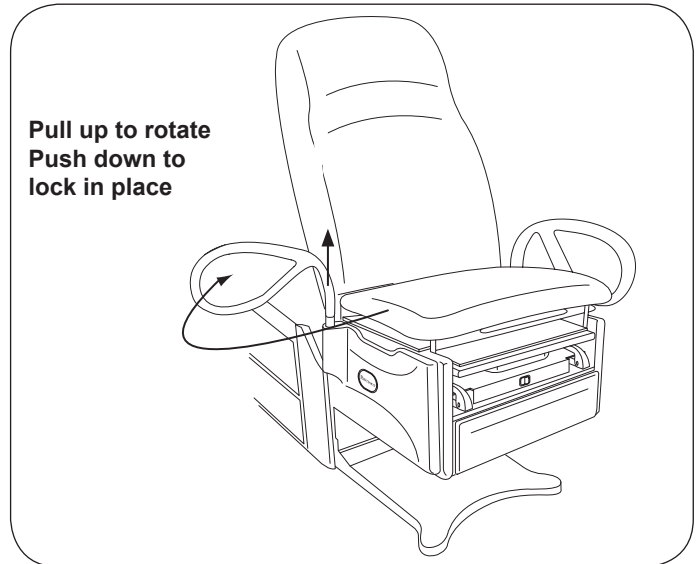


Figure 15. Grab Bar Adjustment

Leg Support

The leg support is located under the seat cushion. (Figure 16), It can be extended 14" for the patient prone position.

Leg Extension

If more length is needed, the leg extension can be pulled out to provide an additional 6" (Figure 16)

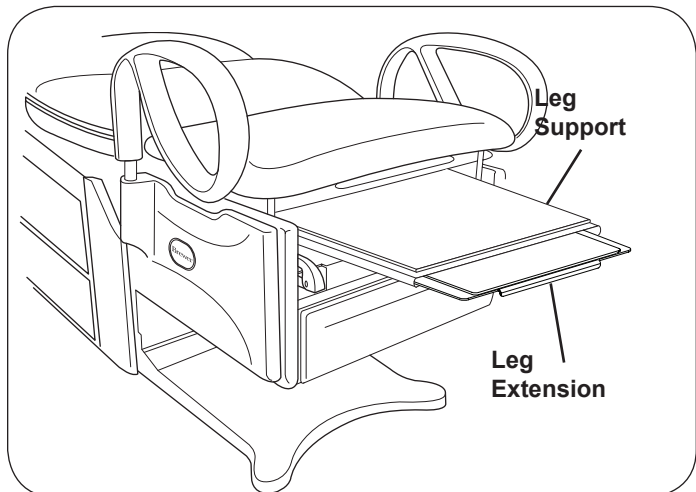


Figure 16. Leg Support and Extension

Treatment Pan

A removable treatment pan is built-in underneath the leg support pad for use during examination. Pull the leg support fully out and remove the leg support pad or slide it back under the seat to access the pan (Figure 17). Remove the treatment pan for cleaning.

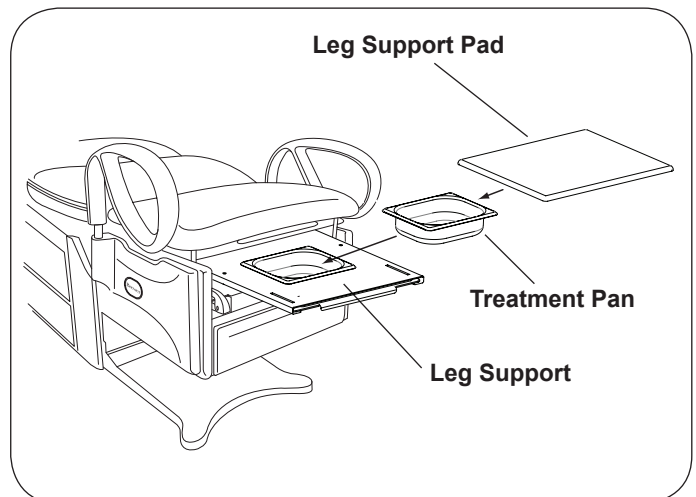


Figure 17. Treatment Pan

OPERATION (continued)

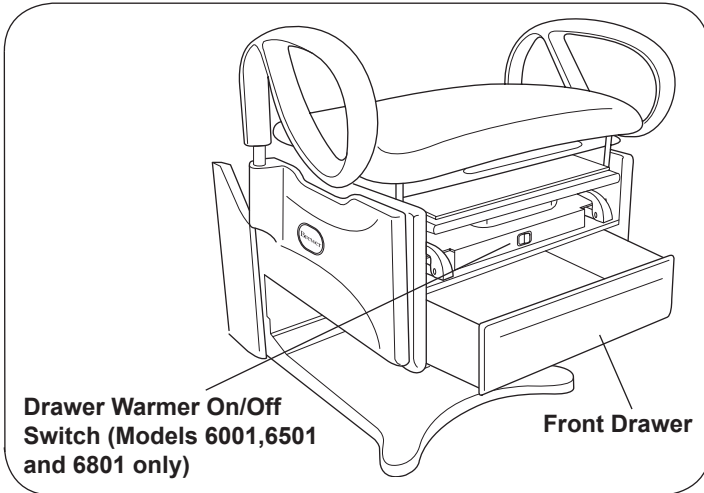


Figure 18. Drawer Warmer Switch and Front Drawer

Front Drawer

A storage drawer for supplies is located at the front of the table. Models 6001, 6501 and 6801 are equipped with a drawer warmer that is turned on by a switch located above the drawer (Figure 18).

Pass Through Side Drawers

Two storage drawers are built into the table cabinet for supplies (Figure 19). The drawers may be pulled out from either side of the table.

Installing Drawer Stops

The Brewer Access High-Low Exam Tables are supplied with two drawer stops for the side pass through drawers. If you wish to restrict the drawers to opening only on one side, simply install one drawer stop per drawer on the opposite side the drawer is to be opened (See Figure 19.)

To install drawer stops:

1. Pull drawers out on the side of desired use.
2. Screw in one drawer stop, one for each drawer on opposite side of cabinet. (Figure 19).

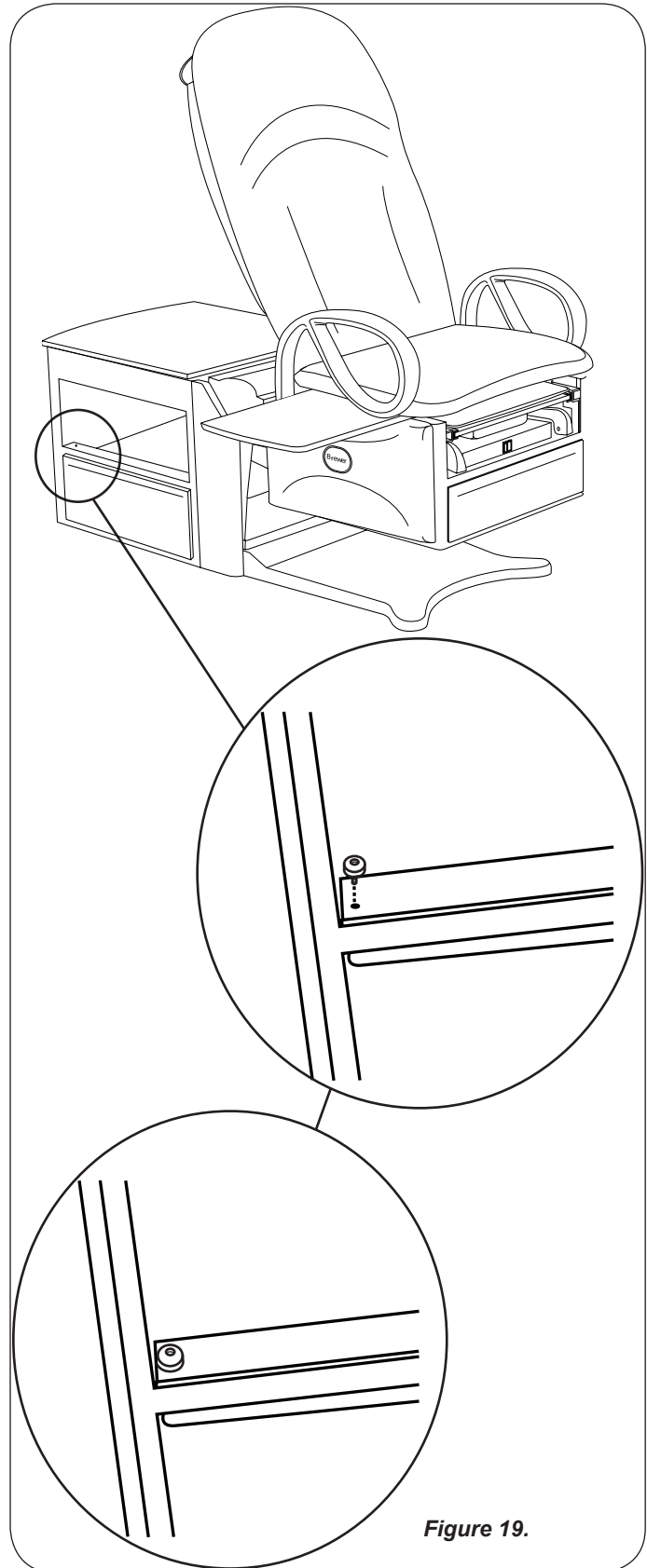


Figure 19.

Paper Storage

With the seat back in the upright position, lift the lid on the paper storage compartment to access stored paper rolls (Figure 20).

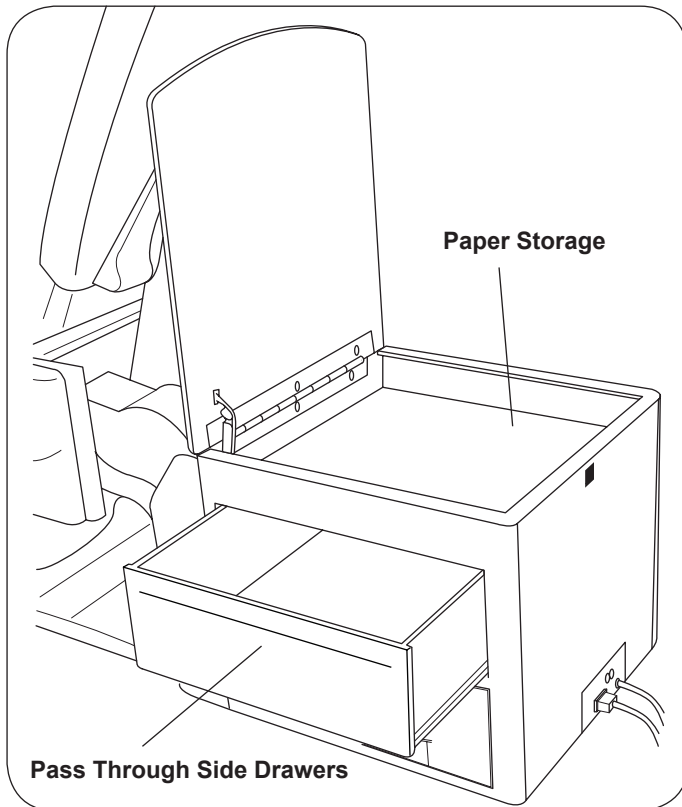


Figure 20. Side Drawers & Paper Storage

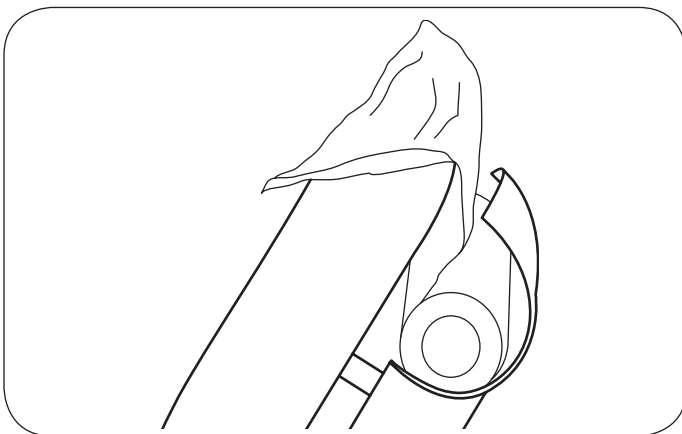


Figure 22. Paper Roll Installation

CAUTION

Do not use paper roll with a diameter greater than 3" or back rest safety switch will not operate.

Paper Roll Holder

To change a paper roll, place the paper into the holder located on the rear of the seat back (Figure 22). Pull the end of the roll over the top of the seat back and place in the desired position.

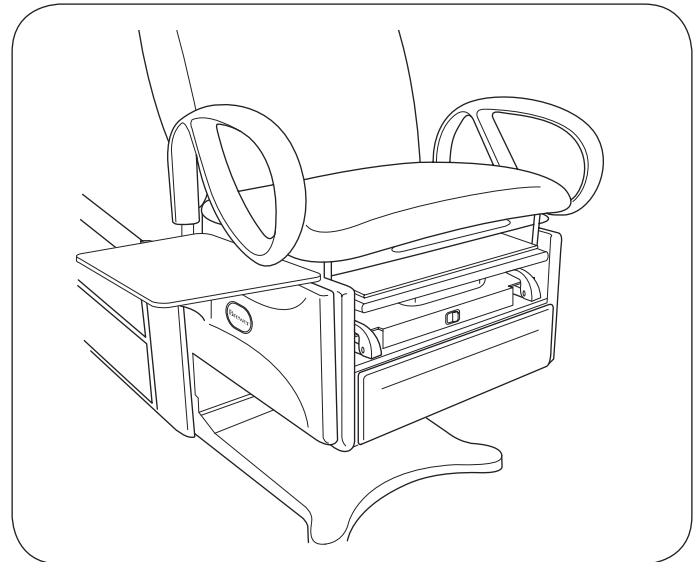


Figure 21. Pass Through Work Surface

Pass Through Work Surface

A pass through work surface, stored under the seat (Figure 21), may be pulled out from either side of the table. Grasp the edge of the work surface and pull until it is fully extended. Push it fully in to stow after use.

CAUTION

The work surface is intended to support a maximum of 15 lbs.

Removing the Work Surface for Cleaning

1. Push work surface in, to reveal a white plastic screw.
2. Remove the white plastic screw. (Figure 23.)
3. Pull the work surface toward you and remove it.
4. Reinsert screw after replacing work surface.



Plastic Screw

Figure 23. Location of White Plastic Stop Screw

OPERATION (continued)

Adjustable Stirrups

Operating the Stirrups (Figure 24)

1. To operate the stirrups, grasp end of stirrup and pull straight out of the table. Lift up slightly while sliding the stirrup out.

NOTE: Do not apply any downward pressure when pulling stirrup from table or it may be difficult to move. This is normal and is part of the stirrup friction locking mechanism

2. Unfold stirrup upward to the fully open position.
3. Adjust the stirrup to the desired length by sliding it in or out.

Stirrup Lateral Adjustment

1. Lift end of stirrup and then rotate outward to desired position.
2. When the desired position is achieved, lower the stirrup to engage the lateral locking mechanism (Figure 25).
3. Check that lateral locking mechanism is engaged by attempting to rotate stirrup assembly without lifting on the stirrup end.

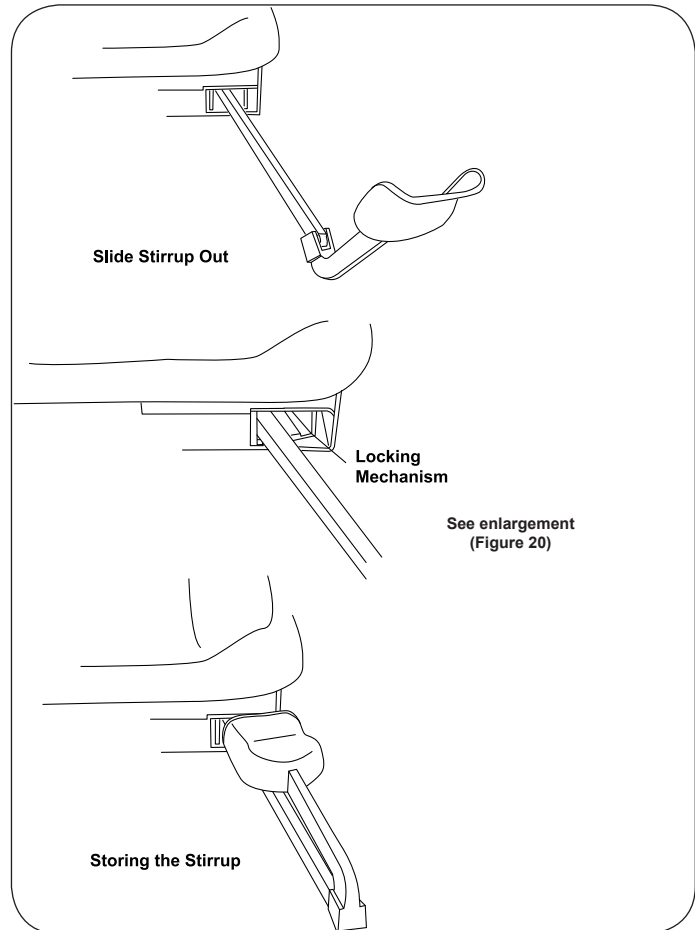


Figure 24. Stirrups

! WARNING

Failure to engage the lateral locking mechanism could allow patient to lose balance resulting in personal injury to patient.

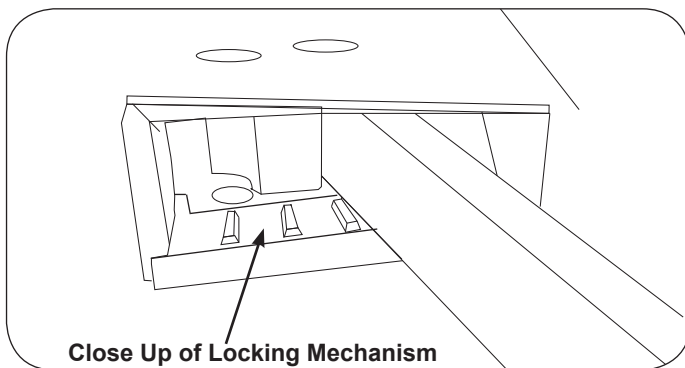


Figure 25. Stirrup Locking Mechanism

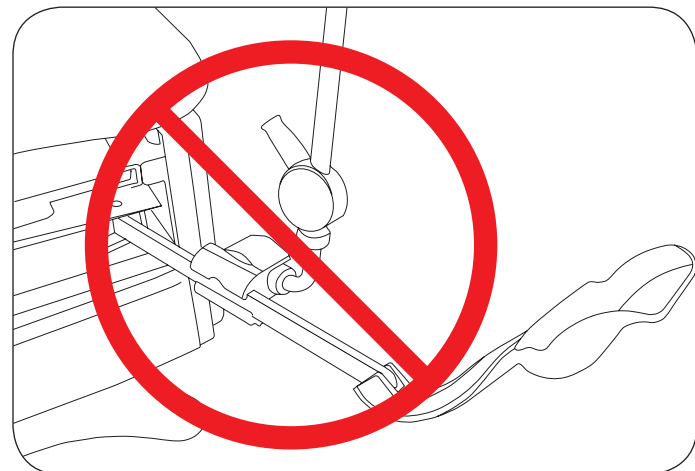


Figure 26. Affix No Attachments!

! CAUTION

Do not use any part of the stirrup for attachment of any device (Figure 26). Warranty will be voided. Use support adapters to attach clamps, then attach knee crutches to clamps. If adapters are not currently installed, order PN 100550 (See page 24 for accessories).

Storing the Stirrups

1. To store the stirrups in the table, grasp end of stirrup and pull straight out to its full extension.
2. Fold stirrup down against bar, then rotate it to the inner most lateral position and slide it back into the stowed position.

TABLE ADJUSTMENTS

Table Height

The table can be adjusted to any height between 18" to 37" (Figure 27).

1. To raise the table, depress and hold the Table Up pedal until the desired height is achieved, then release the pedal. (See Figure 12.)
2. To lower the table, raise the backrest to the upright position, then depress and hold the Table Down pedal until the desired height is achieved, then release the pedal. (See Figure 12.)

Seat Back

The back can be adjusted to any angle between horizontal and 80°.

NOTE: The table must be raised to a height of at least 28" before the backrest can be adjusted to the horizontal position. (See Figure 28.)

Pneumatic Manual Backrest (Models 6000 & 6001)

1. Raise the table to a minimum of 28"
2. To lower the seat back, push down on the seat back while pulling the release handle upward (See Figure 2).
3. To adjust the back from a horizontal position to a chair position, press the release handle (located on either side of the seat cushion) and lift upward. The seat back will lock in the desired position when the handle is released.

Powered Backrest (Models 6500, 6501, 6800 & 6801)

1. Raise the table to a minimum of 28" (Figure 28).
2. To adjust the back from an upright (chair) position to a horizontal position, depress and hold the Back Down pedal until the desired angle is achieved, then release the pedal.
3. To adjust the backrest from a horizontal position to a chair (upright) position, depress and hold the Back Up pedal until the desired angle is achieved, then release the pedal.

NOTE: The back is positioned by an actuator that raises the back when activated. When lowered, the actuator retracts and gravity causes the back to lower.

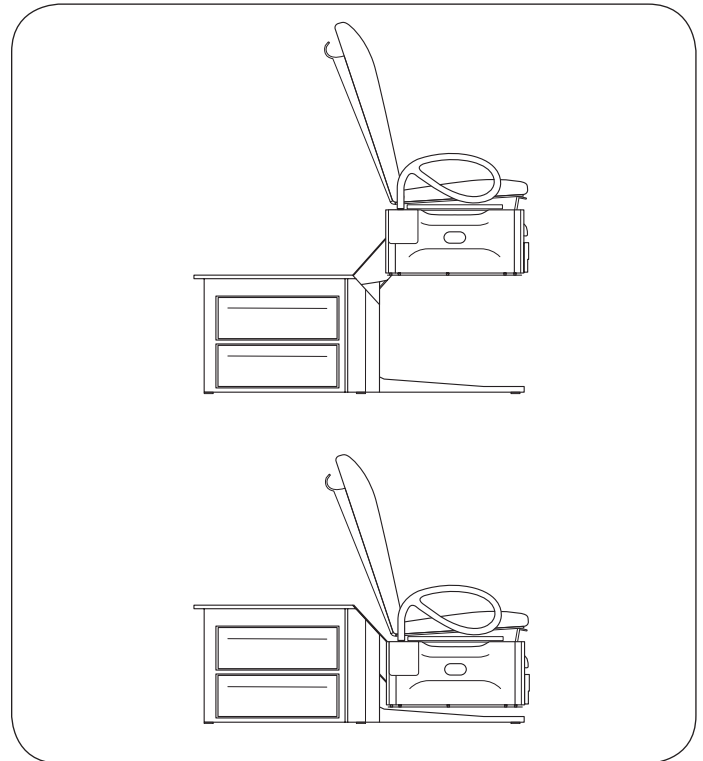


Figure 27. Table Height Positioning

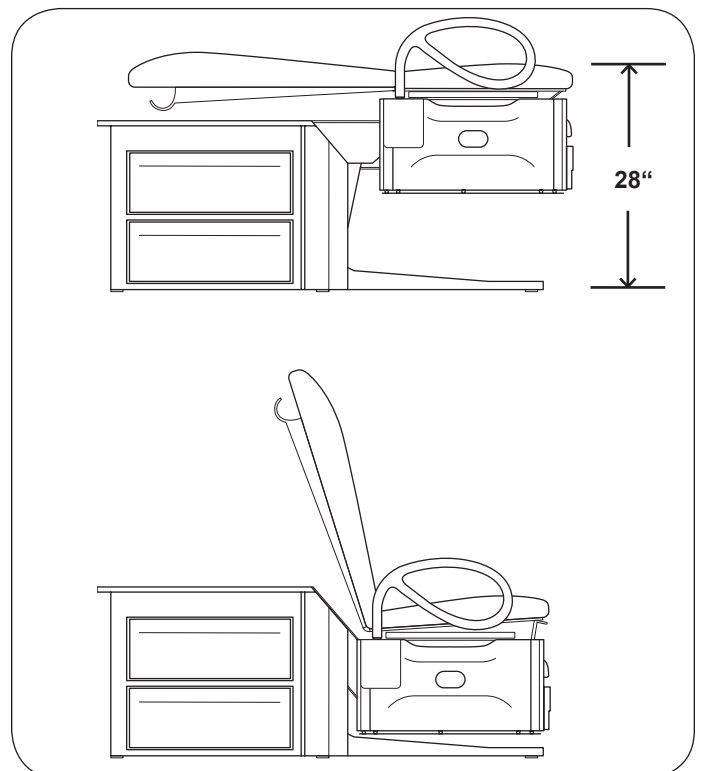


Figure 28. Adjusting Seat Back

TABLE ADJUSTMENTS (continued)

**Manual Pelvic Tilt
(Models 6001, 6501 and 6801)**

The manual pelvic tilt feature sets the seat angle at 0° (horizontal) or 5° (up) position.

Pull up on the front of the seat and the pelvic tilt automatically travels to the locked tilt position (Figure 29).

Note: pulling up with excessive force can damage the pelvic tilt mechanism. Lift only with enough force to engage mechanism. Lift the adjustment lever and lower the seat to the horizontal position.

CAUTION

Patient must be removed from table prior to lowering the seat.

Pelvic Tilt Adjustment Bar

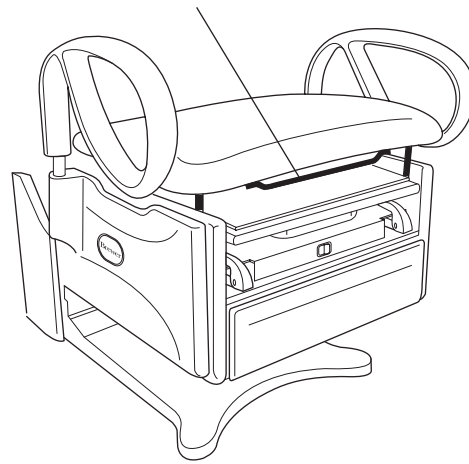


Figure 29. Pelvic Tilt Adjustment

**Front Drawer Warmer
(Models 6001, 6501 and 6801)**

Models 6001, 6501 and 6801 are equipped with a drawer warmer that is turned on by a switch located above the drawer (Figure 30).

Note: Do not stack instruments in the front drawer. Place instruments in one layer in the bottom of the drawer.

Note: This switch is for the drawer warmer only. The On/Off switch for the table functions is located on the back of the table (Figure 14).

Drawer Warmer
(Models 6001,
6501 and 6801)

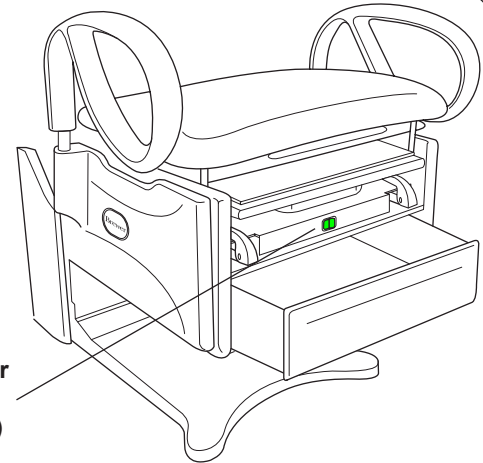


Figure 30. Front Drawer Warmer Switch

**Outlet
(Models 6001, 6501 and 6801)**

Models 6001, 6501 and 6801 are equipped with an Outlet (Figure 31). The total amperage rating for the table is 3 amps. The maximum total load that can be plugged into the outlet is 2 amps.

Outlet
(Models 6501 and 6801)
(Optional on 6001)

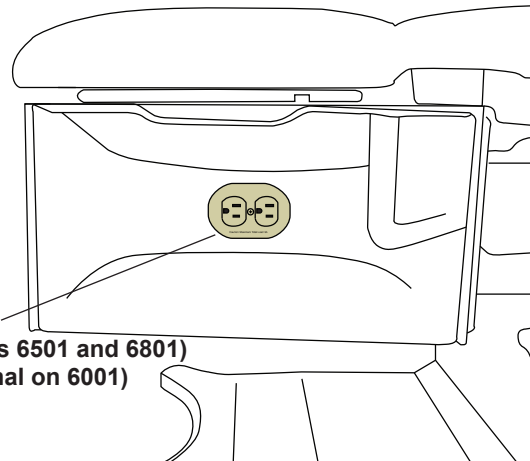


Figure 31. Table Outlet

MAINTENANCE

Preventative Maintenance

⚠ CAUTION

Failure to perform periodic inspections of the table could result in personal injury or equipment damage.

- Periodically inspect the electrical cord to ensure it is free of cuts or damage.
- Inspect the mechanical functions to ensure satisfactory operation. Complete the operating test.
- Check fasteners to make sure they are present and tightened securely.
- Lubricate moving parts (such as back and storage cover hinges) with a food grade silicon lubricant.
- Have a qualified technician inspect your table every 6 months.

Control Box Fuse Replacement

⚠ WARNING

Disconnect power by removing plug from the power outlet before changing fuses.

1. Manually raise table and prop in raised position.
2. Remove shroud below seat to expose actuators and control box. (See Figure 32.)
3. Locate fuse cover on control box. (See Figure 33.)
4. Pull out fuse cover with pliers. Note: pull cover straight out. Do not twist.
5. Replace fuses using spare fuses in fuse cover. Fuse type is 250V/2.5AT for 115 VAC and 250V/1.25AT for 230 VAC models.
6. Reassemble.

***Drawer Warmer Fuse Replacement (Models 6001, 6501 and 6801)**

1. Remove two fuse covers from back of table near the power cord.
2. Replace both fuses. Fuse type is 5 x 20mm, 250V/1.0A.
3. Replace fuse covers.

* Models 6001, 6501 and 6801 with Warmer & Outlet have a single fuse. Fuse type is 5 x 20mm, 250V/3.0A.

Table Care

⚠ CAUTION

The upholstery material is resistant to most medicinal type stains, but may be damaged by solvents and dyes. Remove any spilled fluids from the upholstery immediately.

Clean the table weekly, wiping the painted metal and plastic surfaces with a clean, soft cloth. If desired, mild cleaners may be used.

Clean the work surface and rear paper storage cover immediately after contact with any fluids or gels. Use a mild soap and rinse with clear water. Avoid the use of harsh chemicals as they can permanently damage the finish.

Upholstery Removal

1. Remove the two screws under the seat securing the pelvic tilt lever to the seat frame (models equipped with pelvic tilt only, all other models skip to step 2).
2. Lift the seat and remove the three screws securing the hinge to the seat frame.
3. Remove one screw in the paper holder securing the seat back to the back frame.
4. Remove the upholstery from the table.
5. To remove the leg extension upholstery, pull up on pad to release the plastic clips.

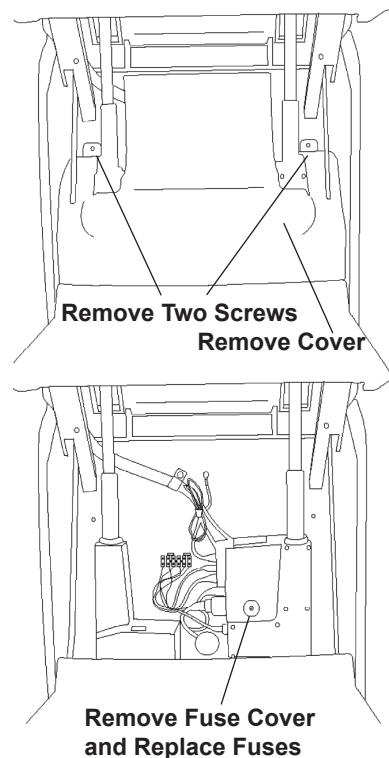


Figure 32.

Figure 33.

TROUBLESHOOTING**Operating Test**

MODELS 6500, 6501, 6800 and 6801 ONLY

It is possible to verify normal operation of the series 6000 tables by performing the following series of tests.

ALL MODELS

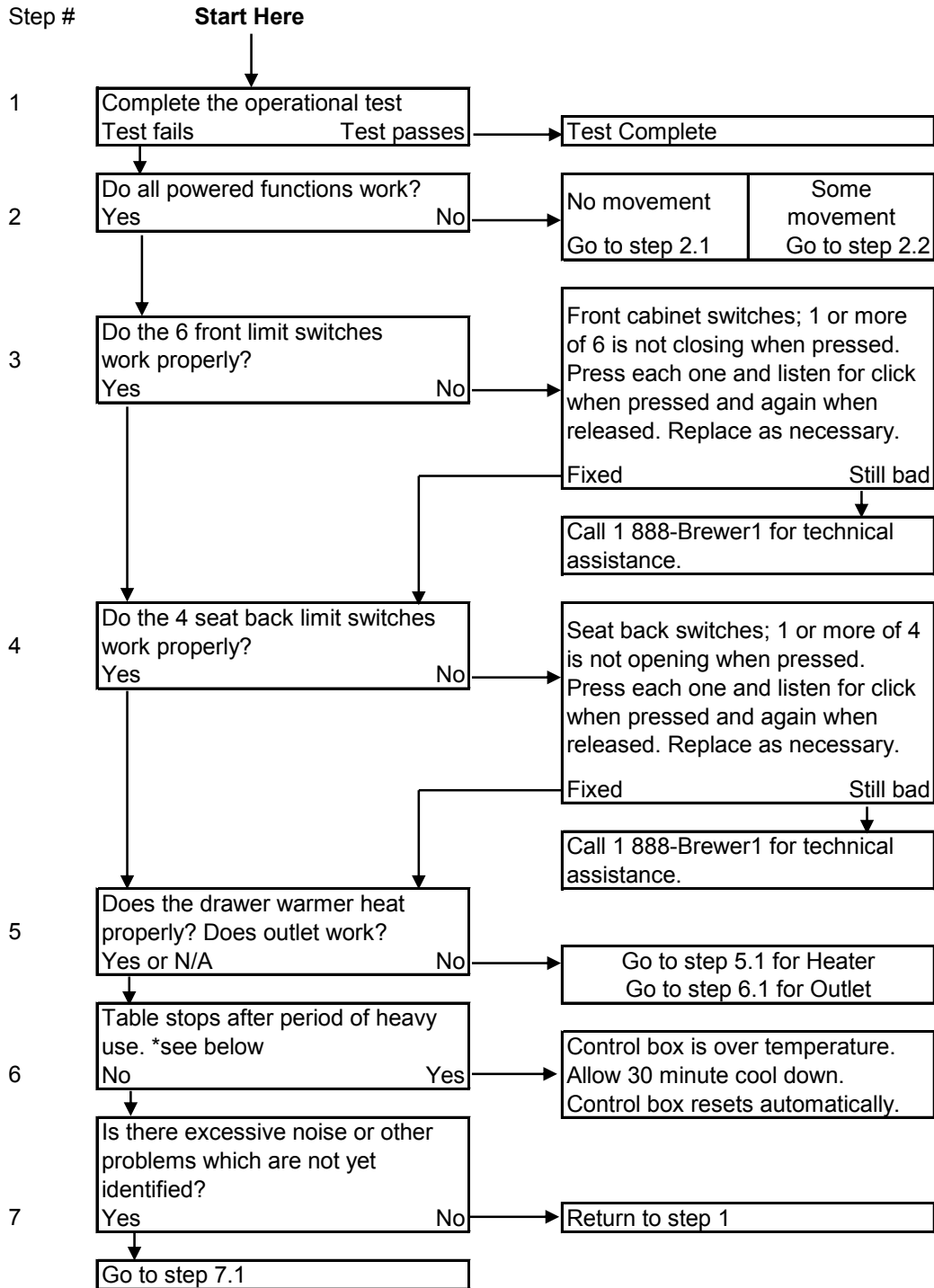
Lift test

1. Insure ON/OFF switch is in ON position.
2. Press and hold the TABLE UP pedal. The table should rise to the full up position (about 37") and stop. There must be no continuing motor hum after the table stops.
3. Release the TABLE UP pedal.
4. Press the TABLE DOWN pedal. While the table is going down pressing on each corner of the back of the seat must cause the table to momentarily stop.
5. The table should go to the full down position. Release the TABLE DOWN pedal.
6. Reach under the front section bottom plate and lift up momentarily on each corner of the plate. This should activate the lift causing the table to rise while the plate is lifted.
7. Turn the ON/OFF switch, located on the back of the rear cabinet, to the OFF position. Verify that pressing any of the foot pedals does not cause motion. Turn the ON/OFF switch to the ON position.

Powered Back test

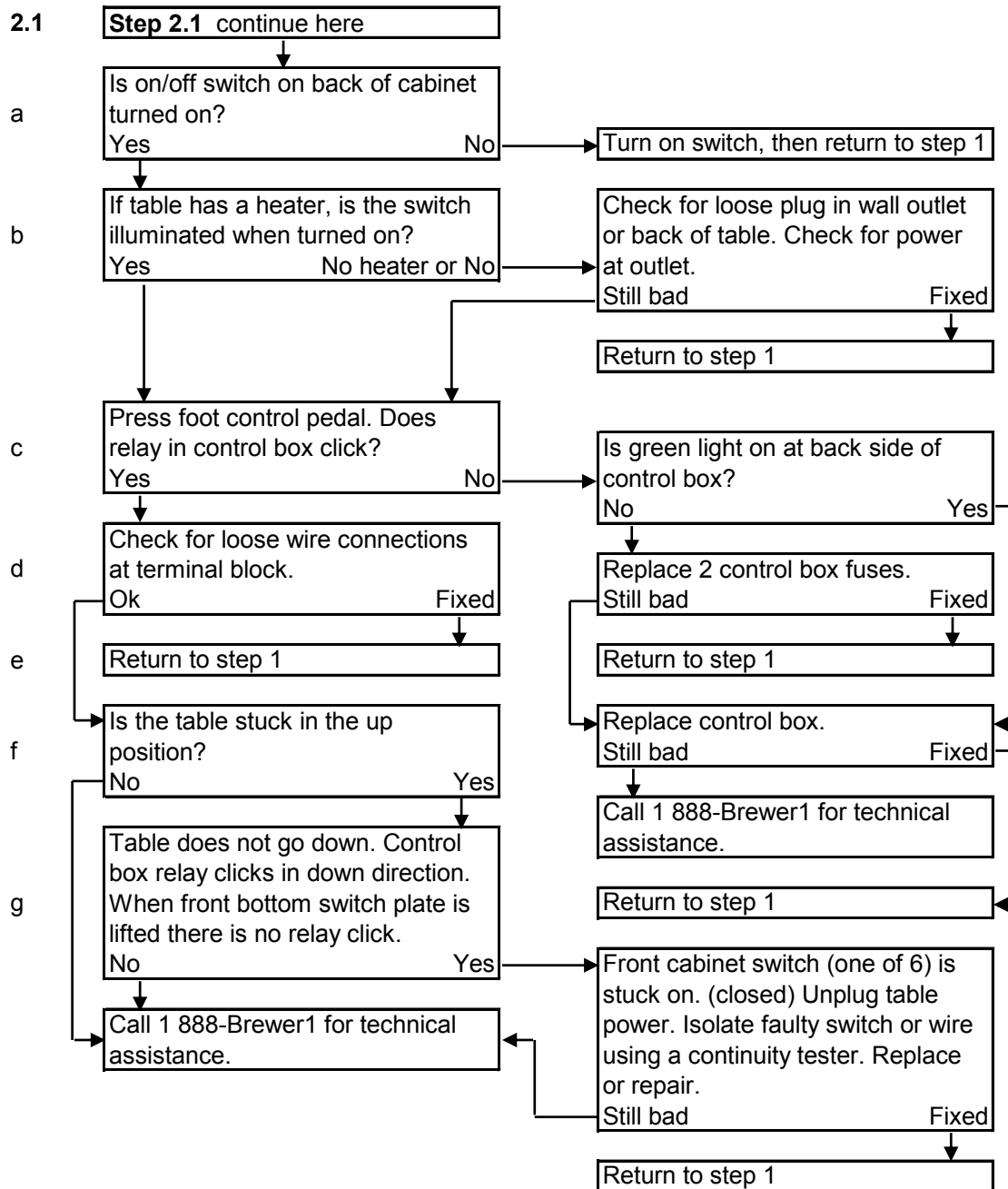
1. Press the TABLE UP pedal to raise the table above 28" so the back may be lowered without contacting the back cabinet.
2. Press the BACK DOWN pedal. The back should go to the full recline position, which is level.
3. Press the BACK UP pedal. The back should go to the full up position.
4. Press the BACK DOWN pedal. While the back is going down pressing on any corner of the back of the seat must cause the back to momentarily stop.
5. Press the blue RETURN TO CHAIR button on the foot control. While the chair is in motion momentarily press the red STOP button. The chair must stop and remain stopped.
6. Press the blue RETURN TO CHAIR button on the foot control. While the chair is in motion momentarily press the BACK UP pedal. The chair must stop and remain stopped.
7. Press the blue RETURN TO CHAIR button on the foot control. While the chair is in motion momentarily press the BACK DOWN pedal. The chair must stop and remain stopped.
8. Press the blue RETURN TO CHAIR button on the foot control. While the chair is in motion momentarily press the TABLE UP pedal. The chair must stop and remain stopped.
9. Press the blue RETURN TO CHAIR button on the foot control. While the chair is in motion momentarily press the TABLE DOWN pedal. The chair must stop and remain stopped.
10. Raise the table to the full up position, and then lower the back so the table is in the high table position. Press the blue RETURN TO CHAIR button. The table should first raise the back then lower to the chair low position.

6000 SERIES TABLE TROUBLESHOOTING CHART

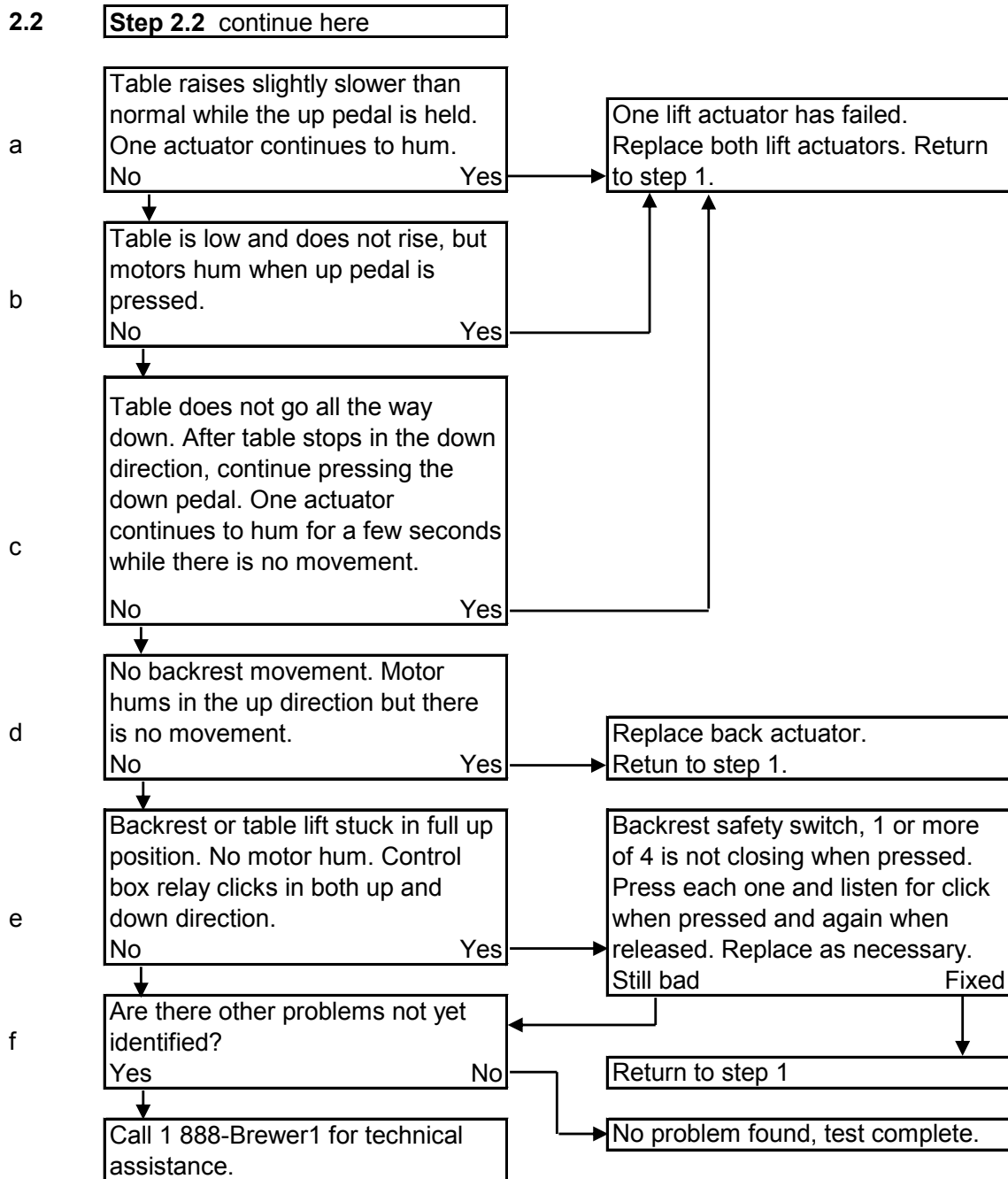


* No relay clicking in control box. Table then functions after about 30 minutes.

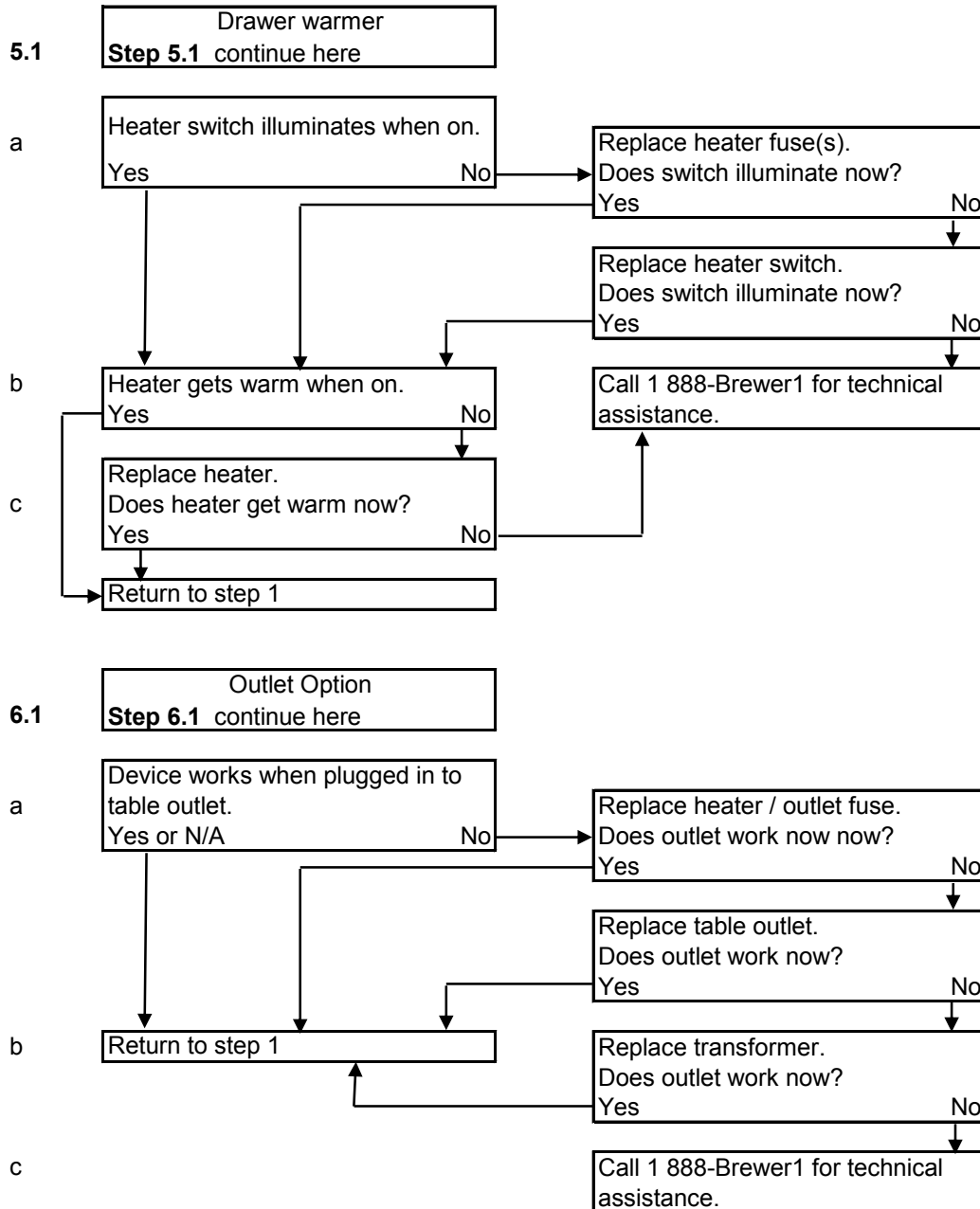
6000 SERIES TABLE TROUBLESHOOTING CHART (continued)



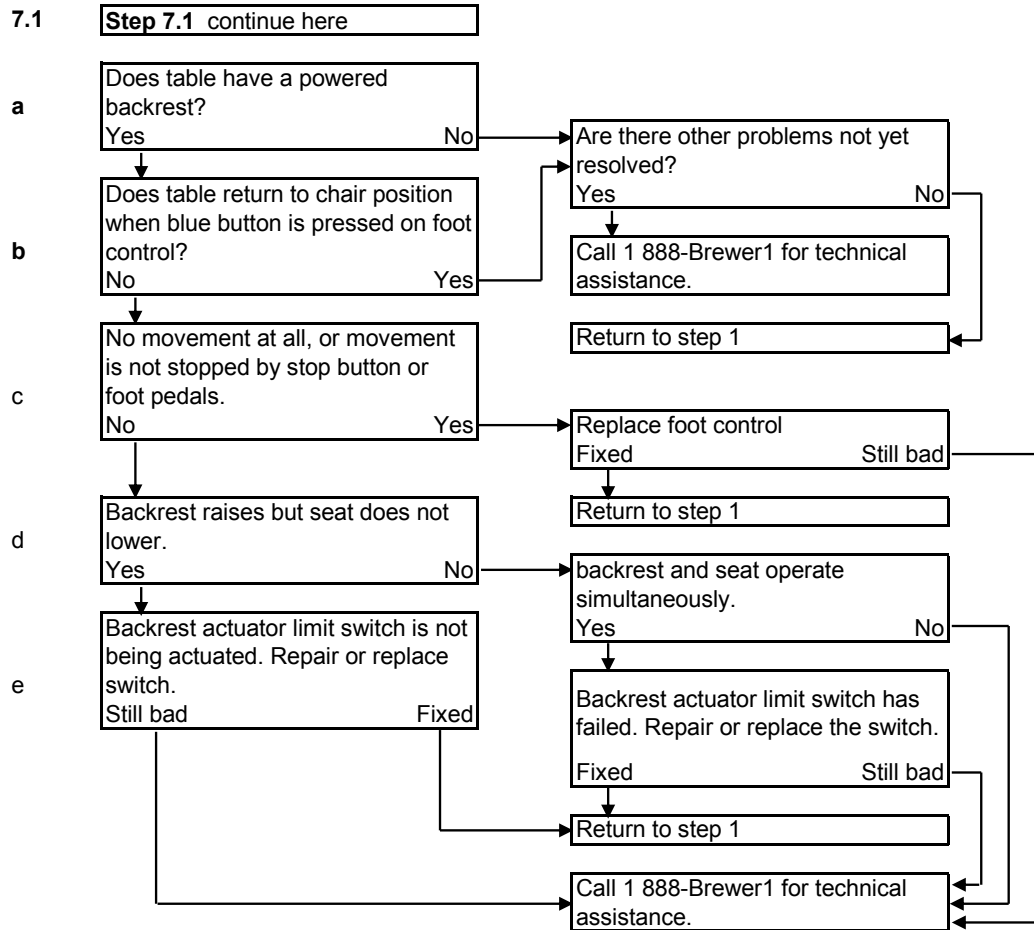
6000 SERIES TABLE TROUBLESHOOTING CHART (continued)



6000 SERIES TABLE TROUBLESHOOTING CHART (continued)



6000 SERIES TABLE TROUBLESHOOTING CHART (continued)



OPTIONS, ACCESSORIES, AND COMMON SERVICE PARTS

Listed below are the accessories which are authorized for use with this table.

Description	Order No.	Use/Restrictions
Replacement Upholstery	6115-XX	Intended Use - Replacement top with hardware for 6000, 6001, 6500, 6501, 6800 and 6801 examination tables in 15 standard and 5 plush colors. Includes pelvic tilt bar.
Special Upholstery	6115-SP	Intended Use-Allows the purchase of specialty vinyls in different colors with hardware for the model 6000, 6001, 6500, 6501, 6800 and 6801 examination table. (Additional charges may apply.) Includes pelvic tilt bar.
Urology Tray w/Hose & Bucket	100253	Intended Use - Conveniently and safely disposes of and captures fluids during urology procedures.
Front Drawer Organizer	100407	Intended Use - Optional front drawer dividers for separation and organization.
Replacement Leg Support Pad	100267	Intended Use - Replacement upholstered leg support pad
Replacement Leg Extension Pad	2102036	Intended Use - Replacement upholstered leg extension pad
Stainless Steel Treatment Pan	98464	Intended Use - Stainless Steel Treatment Pan replacement
Deluxe Articulating Knee Crutches	99504	Intended Use - Allows leg positioning for ease of examination.
Knee Crutch Adapters (field install)	100550	Intended Use - Provides attachment point for Knee Crutch Clamps.
Knee Crutch Clamp	100187	Intended Use - To hold deluxe articulated crutches.
Fuse 1A	100777	Intended Use - 1A drawer warmer replacement fuse (qty. 2)
Fuse 3A	100088	Intended Use - 3A drawer warmer / outlet replacement fuse (qty. 1)
Electrical Outlet (6001 only- factory installed)	101800	Intended Use - Outlet provides power for medical accessories.
Welch Allyn III Light Bracket (factory installed)	100880	Intended Use - For mounting of Welch Allyn III light
Welch Allyn III Light Bracket (customer installed)	100881	Intended Use - For mounting of Welch Allyn III light
Welch Allyn IV Light Bracket (factory installed)	102031	Intended Use - For mounting of Welch Allyn IV light
Welch Allyn IV Light Bracket (customer installed)	102032	Intended Use - For mounting of Welch Allyn IV light
Armrest Hole Cap	101872	Intended Use-Covers hole created when user chooses to remove table arms.
Foot Control, (Two-pedal with Return-To-Chair feature 6500, 6501, 6800 & 6801)	100761 (hard wired) 101375 (detachable)	Intended Use-Direct replacement for a 2-pedal foot control with return to chair feature only.
Foot Control (Single-pedal for manual back models 6000 and 6001)	100763 (hard wired) 101376 (detachable)	Intended Use-Direct replacement for a single-pedal foot control.

LIMITED WARRANTY**The Brewer Company
GENERAL TERMS AND CONDITIONS**

Warranty: The Brewer Company warrants its AssistPRO Programmable Table, Assist Power Procedure Table, Access High-Low Exam Table, Basic Exam Table, Element Treatment Table, and LiftMate™ to be free from defects in parts and workmanship under normal use and service for a period of three (3) years from date of shipment. The Brewer Company warrants its Access Exam Table, seating products, and support products to be free from defects in parts and workmanship under normal use and service for a period of five (5) years from date of shipment. The Brewer Company warrants its lighting products to be free from defects in parts and workmanship under normal use and service for a period of one (1) year from date of shipment.

The Brewer Company will not be responsible for any Product failure due to abuse, misuse, modification or improper use or for any use which exceeds the published capacity of the Product. THIS WARRANTY IS EXCLUSIVE AND IN LIEU OF ALL OTHER WARRANTIES AND REMEDIES WHATSOEVER, INCLUDING BUT NOT LIMITED TO IMPLIED WARRANTIES OF MERCHANTABILITY AND/OR FITNESS FOR A PARTICULAR PURPOSE. NO AGENT, EMPLOYEE, OR REPRESENTATIVE OF THE BREWER COMPANY HAS ANY AUTHORITY TO MAKE ANY AFFIRMATION, REPRESENTATION, OR WARRANTY NOT SET FORTH IN THESE TERMS AND CONDITIONS CONCERNING ANY PRODUCTS OF THE BREWER COMPANY. THE BREWER COMPANY SHALL HAVE NO LIABILITY WHATSOEVER FOR DAMAGES CAUSED BY TRANSPORTATION, ACCIDENTS, FIRE, UNAUTHORIZED ALTERATION, OR NORMAL WEAR OR ABUSE, NOR SHALL THE BREWER COMPANY HAVE ANY LIABILITY WHATSOEVER FOR ANY INCIDENTAL OR CONSEQUENTIAL DAMAGES, including without limitation, lost profits or any such damages arising from (a) the design, manufacture, sale, delivery, installation, repair, operation or use of products of The Brewer Company or any part thereof, (b) any actual or alleged failure or defect in products of The Brewer Company or any part thereof, or (c) any actual or alleged breach or non-performance by The Brewer Company of this limited warranty.

Freight Claims: Upon receipt, merchandise should be carefully examined to ascertain that proper amount has been received in good condition. Any claim for shortage or damage must be made with delivering carrier within five (5) days from receipt of goods. Brewer does not assume any responsibility for loss or damage in transit, and compensation for such loss must be obtained from the freight carrier.

Obtaining warranty service: Warranty service must be obtained through The Brewer Company by contacting Customer Service by phone at 1.888.Brewer.1, by fax at 1-262-251-1786 or by e-mail at customerservice@brewercompany.com. If the product is within the warranty period described above, Brewer will either provide on-site repair services, ship replacement parts or replace the product at the discretion of The Brewer Company. On-site service is provided only within the Continental United States, and only replacement parts or product will be provided at Brewer's discretion in Alaska, Hawaii, Canada and all other International locations. A product warranty registration must be completed for exam tables and LiftMates and submitted to Brewer within 30 days after purchase in order to receive warranty benefits. Warranty cards are included in the purchase of all exam tables and LiftMates and are also available online at www.brewercompany.com.

NOTES