



# DETECTO®

*www.Detecto.com*



**RESCUE**   
medical carts

## User Guide

PO Box 151 • Webb City, MO 64870  
8525-0360-0M Rev A Ph: 417-673-4631 • Fax: 417-673-5001  
09/15 [www.detecto.com](http://www.detecto.com)

Technical Support: Ph: 866-254-8261 • [tech@cardet.com](mailto:tech@cardet.com)

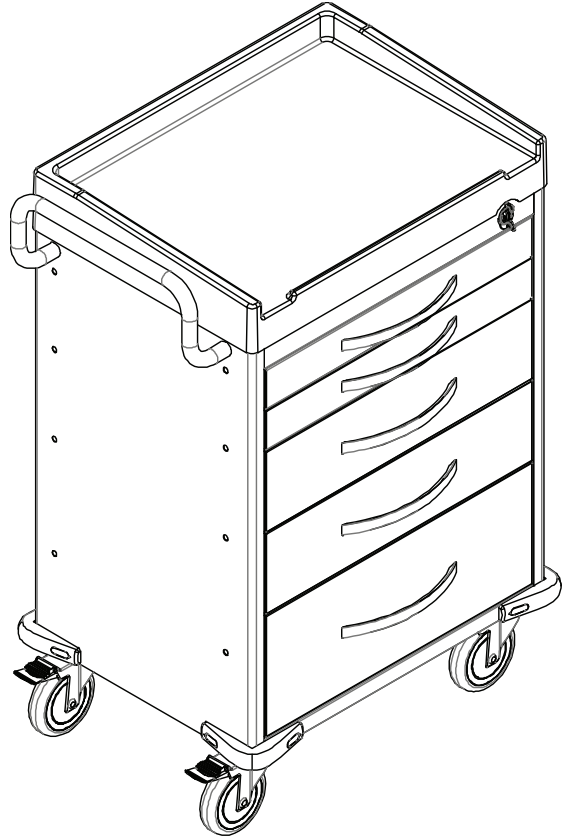


# Introduction

Thank you for purchasing our Detecto Rescue Medical Cart. It has been manufactured with Detecto quality and reliability.

## Attention

1. Please read this User Guide before using product.
2. The correct ways to safely use this product are provided by this User Guide.
3. This User Guide lists attention points when you are using this product. If you miss the attention points and use incorrectly, it is possible to get hurt or damage this product.



## Precautions



### **WARNING**

Incorrect use of this cart can result in serious injury to operator and/or damage to the cart.



### **ATTENTION**



### **PROHIBITED**



# Table of Contents

Safety Precautions .....	1
Rescue Cart Accessories .....	6
Tool & Accessory Package Standard .....	6
Push Handle .....	7
Removal of Drawer and Base .....	8
Optional Side Accessories .....	9
A. Side Rail .....	9
B. Oxygen Tank Side Rail .....	9
A. B. Attaching Rails .....	10
C. Catheter Holder .....	11
D. Glove box Holder .....	11
E. Bottles Holder .....	11
F. Multi Bin Storage Basket .....	11
G. File Holder .....	11
H. Document Holder .....	12
I. Waste Container w/Lid .....	12
J. Sharps Container Holder .....	12
K. Oxygen Tank Holder .....	13
Optional Back & Top Accessories .....	14
A. CPR Cardiac Board & Hooks .....	14
B. Defibrillator Shelf .....	15
C. IV Pole .....	16
D. Accessory Bridge .....	17
E. Tilt Bins Organizer .....	18
Drawer Divider System .....	19

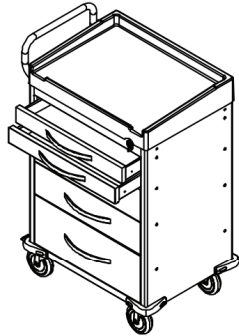


# Safety Precautions



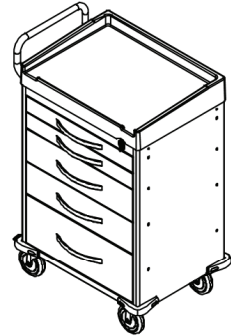
## WARNING

Do not open two or more drawers at same time.



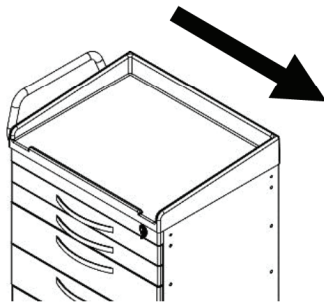
X

Carefully move cart and do not allow it to fall.



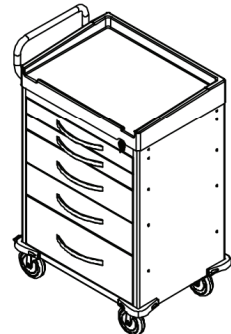
X

Pay attention to direction of cart when moving it.



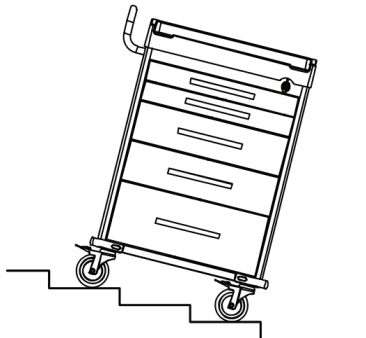
!

Pay attention to the front of cart when moving forward.



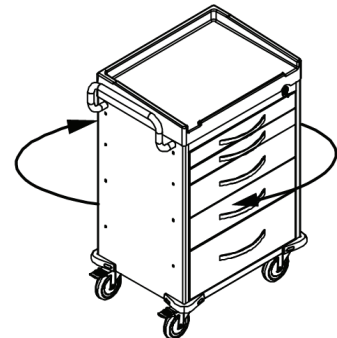
!

Do not use cart on stairs.



X

Do not force cart to turn when caster brake is locked.



X

# Safety Precautions



## WARNING

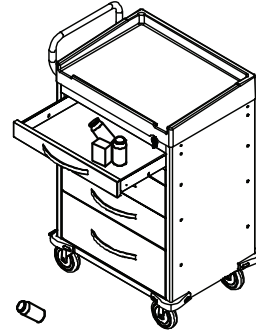
To prevent falling, do not push on the back of cart.

X



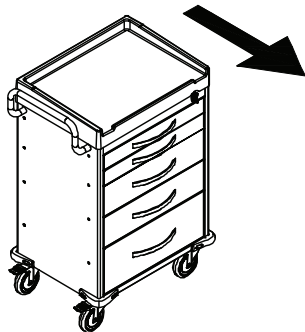
Do not move cart with an open drawer.

X



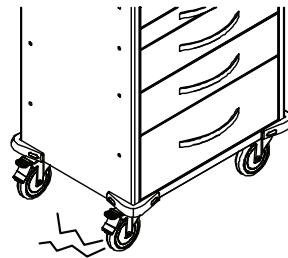
Do not move cart by pushing or pulling on accessory parts.

X



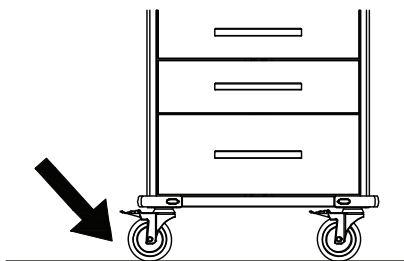
Do not move cart without unlocking caster brakes.

X



Attention!! Remember to lock caster brakes when you stop or park cart.

!



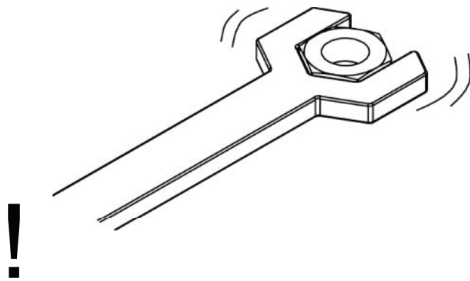


# Safety Precautions

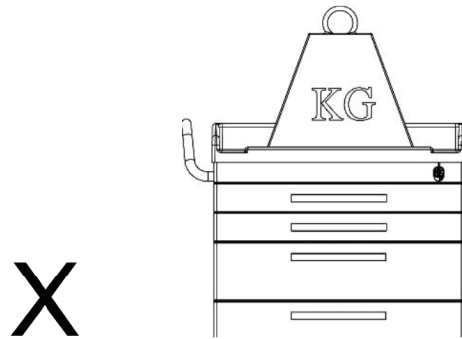


## WARNING

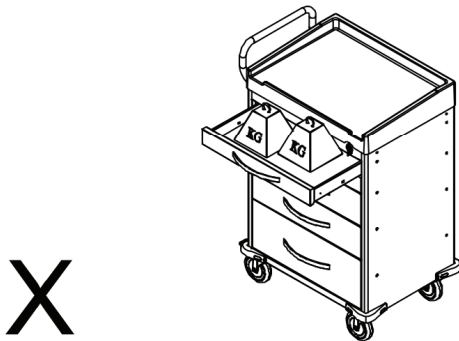
Attention!! Remember to tighten screws when you install parts and accessories.



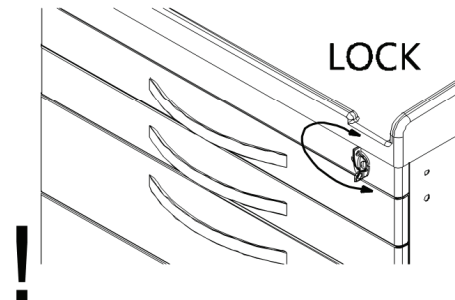
Do not overload top of cart.



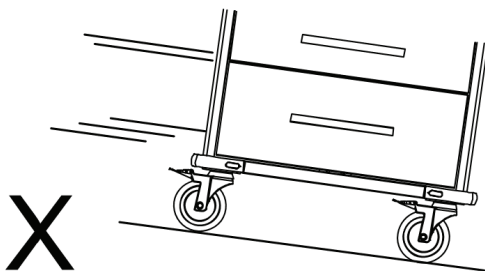
Do not overload drawers.



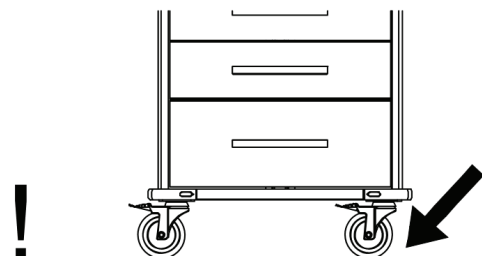
Attention!! Always close and lock drawers.



Do not park cart on an inclined or un-level floor.



Attention!! Park cart on flat level floor.

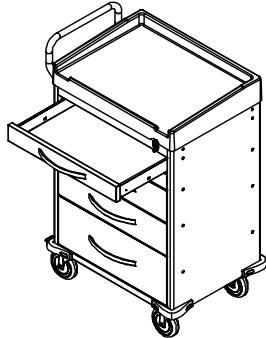


# Safety Precautions

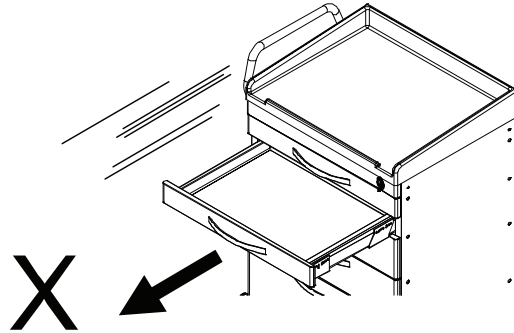


## WARNING

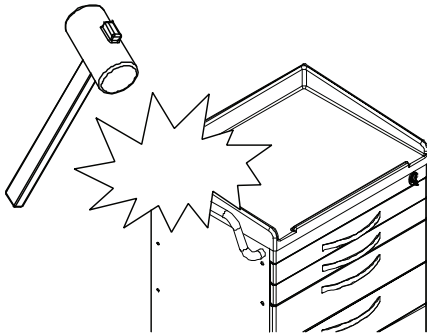
Do not lean against cart with open drawer.



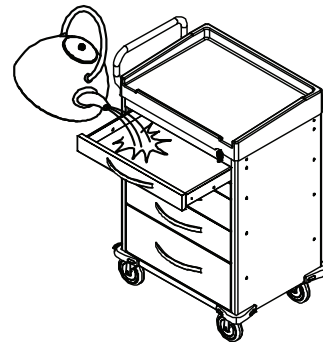
Do not move cart with an open drawer.



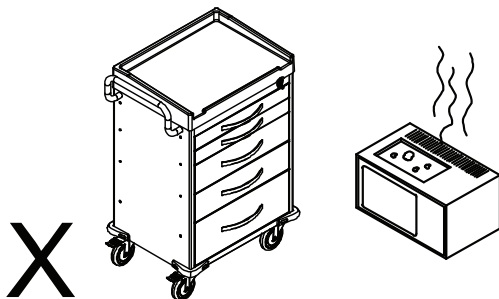
Do not strike cart with objects (ex:Hammer).



Do not pour hot or cleaning liquids into cart drawer.



Do not put high temperature products on cart.

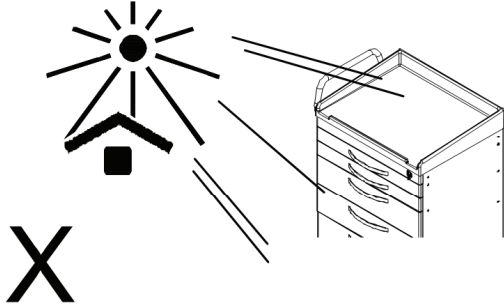


# Safety Precautions

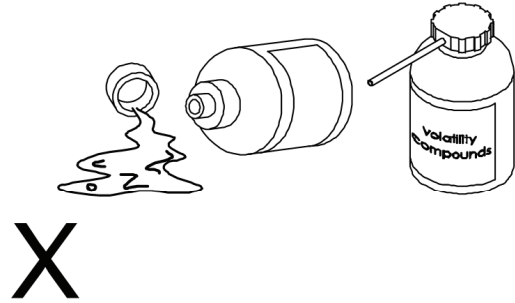


## WARNING

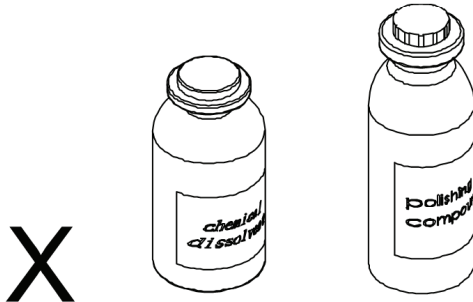
Do not expose cart or accessories to direct sunlight.



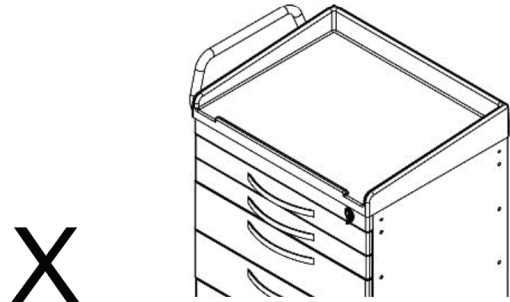
Keep volatile compounds away from cart and accessories.



Keep chemical dissolvent and polishing compounds away from cart and accessories.

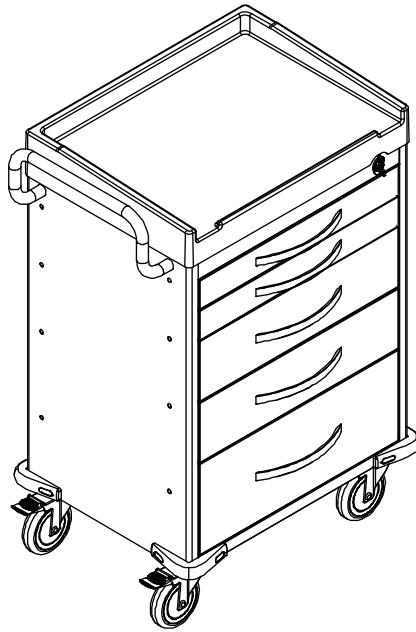


Do not use a hard scrubber to scrape or polish cart.



! It is recommended to use 75% alcohol or a neutral detergent to clean cart.

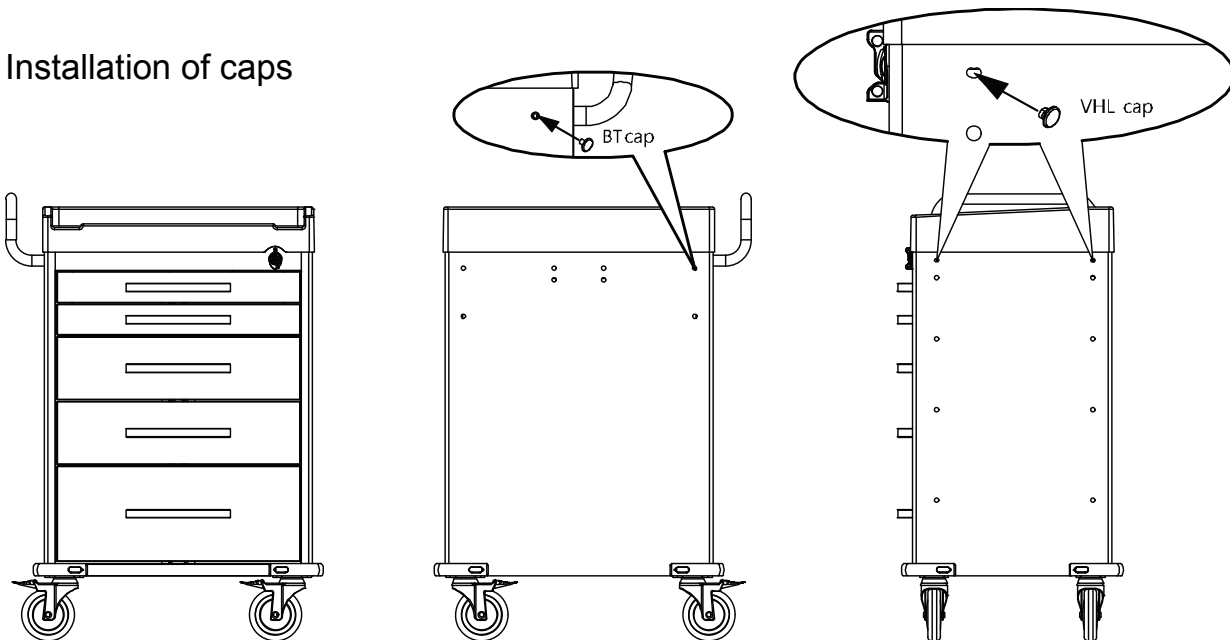
# Rescue Cart Accessories



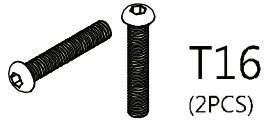
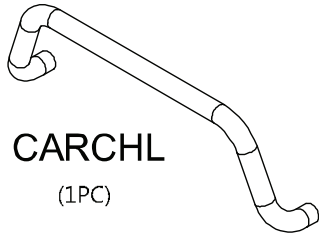
## Tool & Accessory Package (Standard)



### Installation of caps



# Push Handle

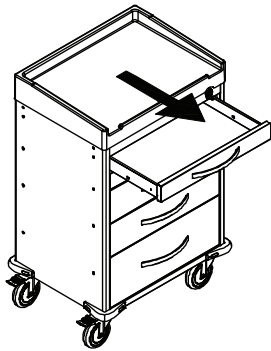


Round head hex  
socket screw  
M6x16L

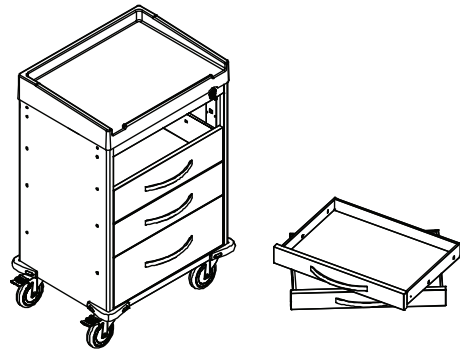


Flat washer  
6x16Lx1.5T

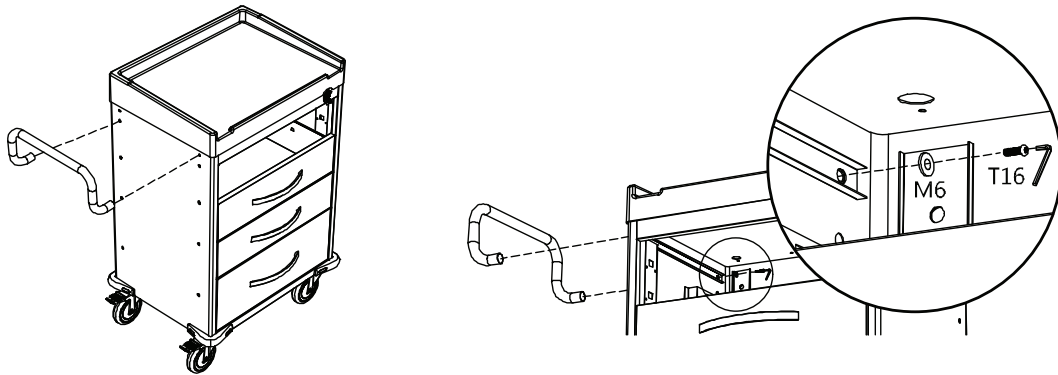
1



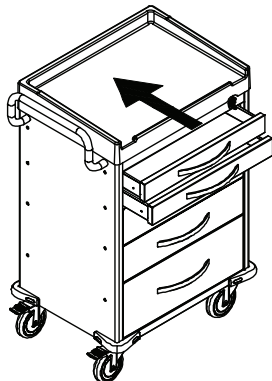
2



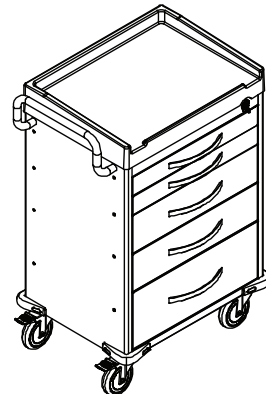
3



4

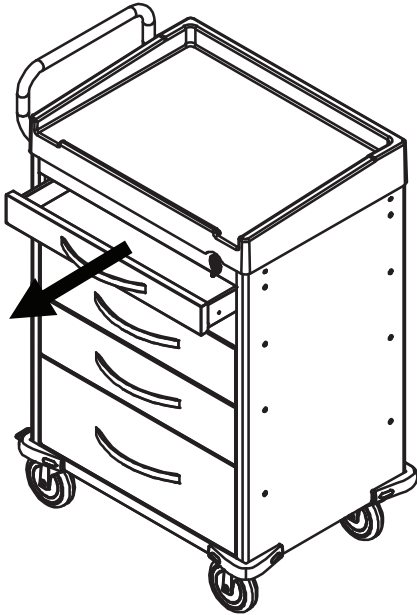


DONE

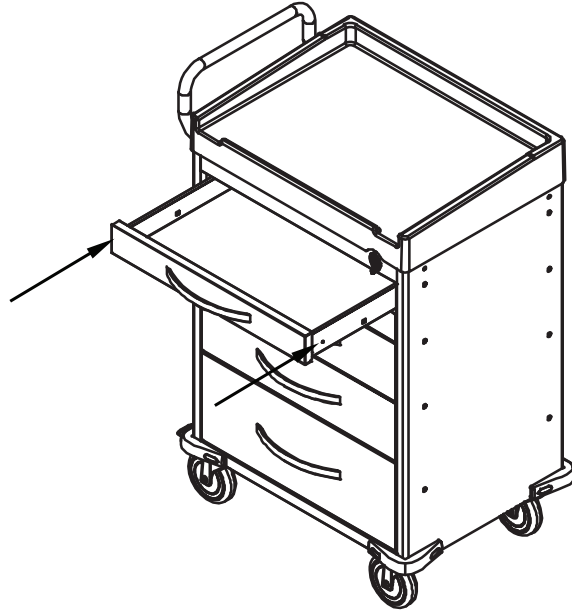


## Removal of Drawer

① Pull out a drawer.

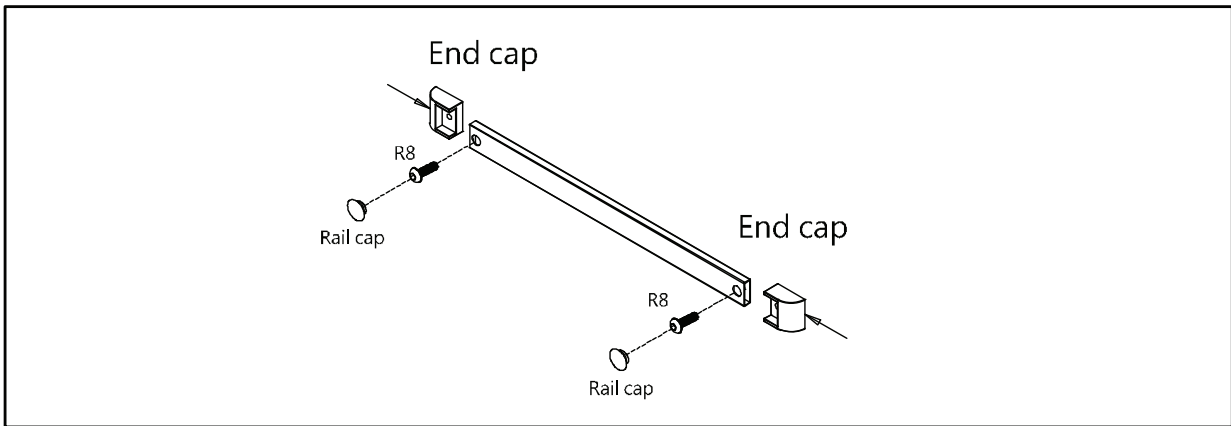
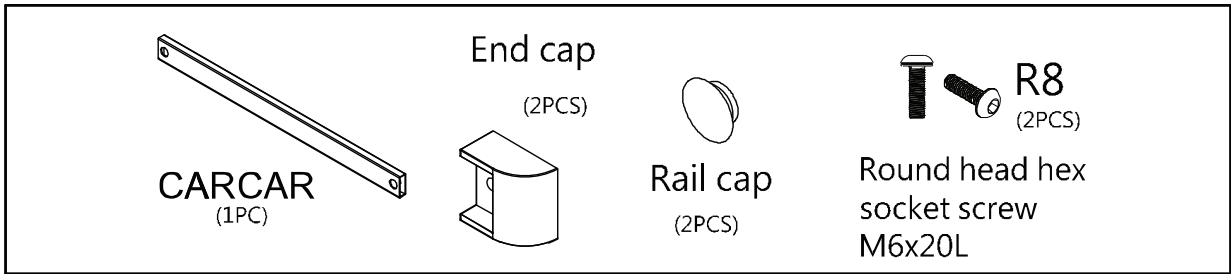


② Push release levers in middle of both slides, one up and one down.

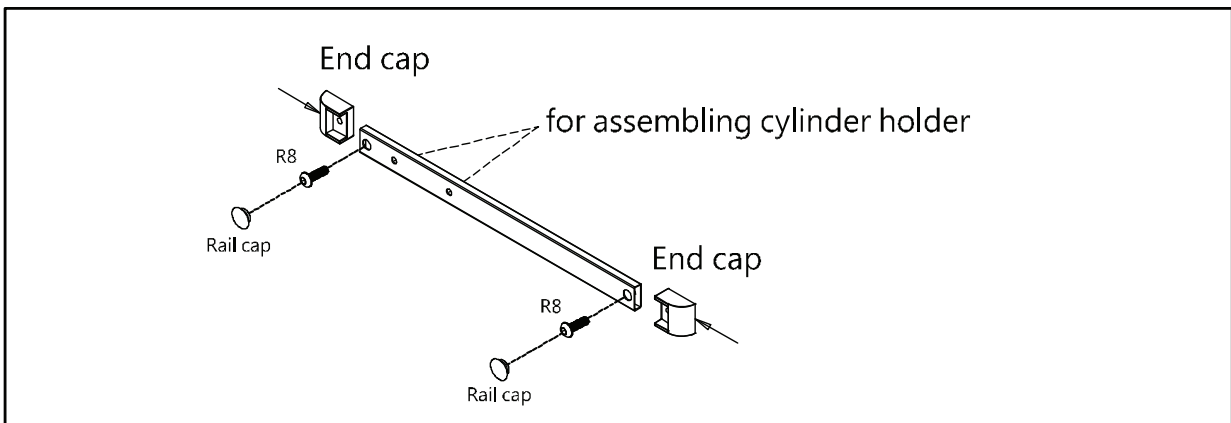
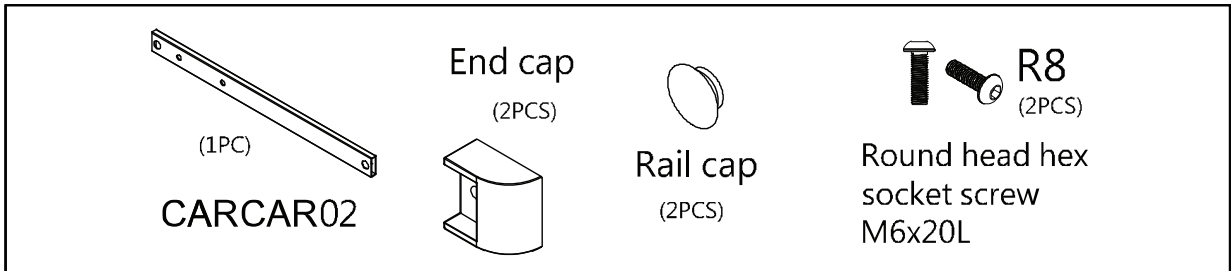


# Optional Side Accessories

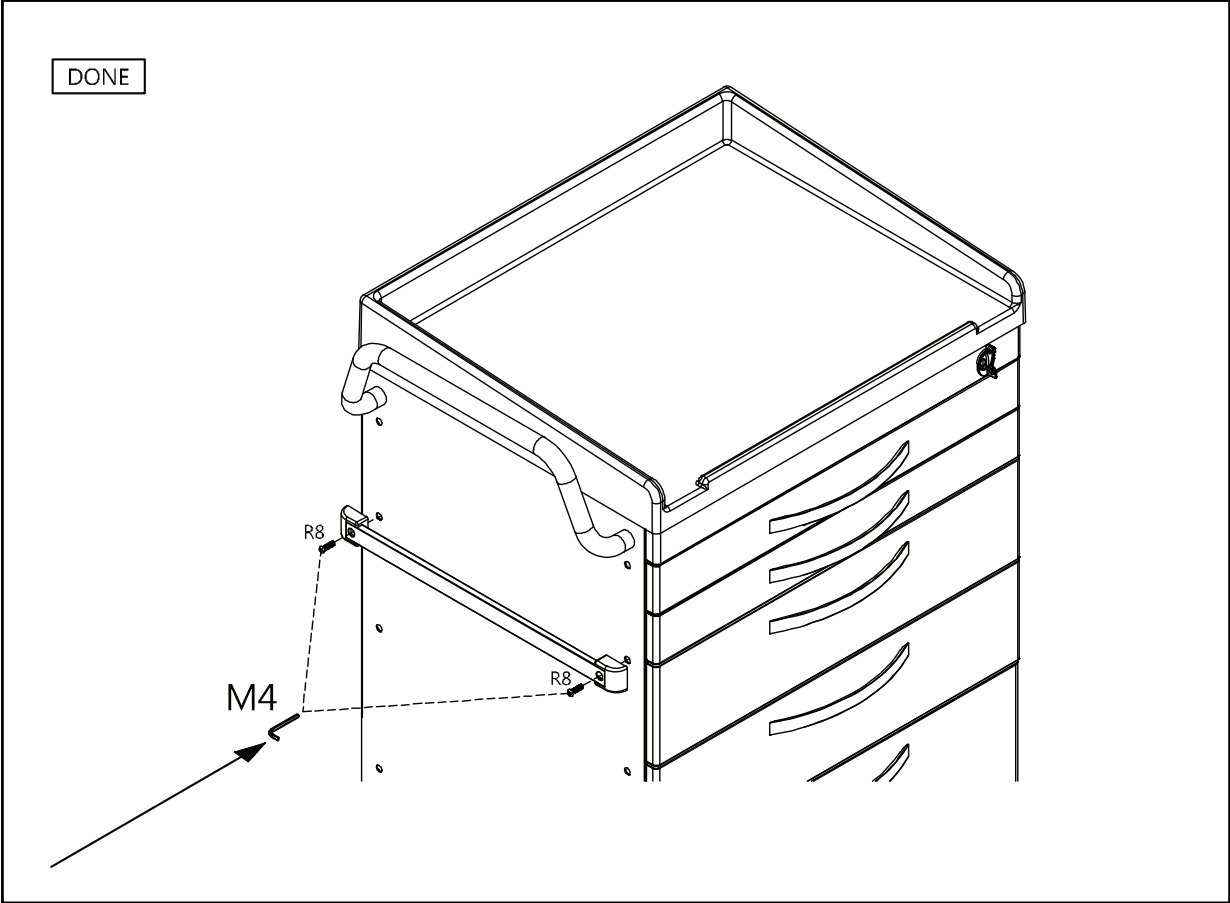
## A. Side Rail



## B. Oxygen Tank Side Rail



A. B. Attaching Rails





### C. Catheter Holder



### D. Glove Box Holder



### E. Bottles Holder



### F. Multi Bin Storage Basket



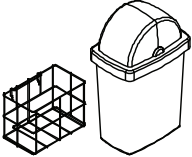
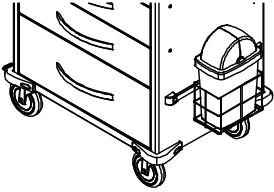
### G. File Holder



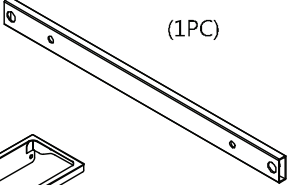
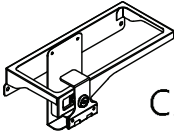



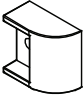
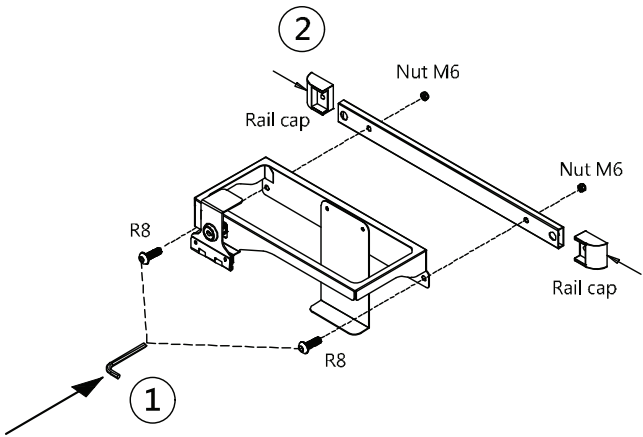
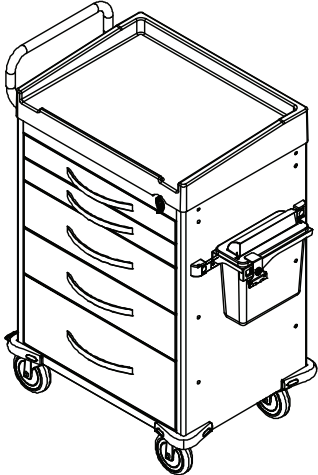
## H. Document Holder

 <p>CARCDH</p>	<p>①</p> <p>See Step A</p>	<p>DONE</p> 
---	----------------------------	---

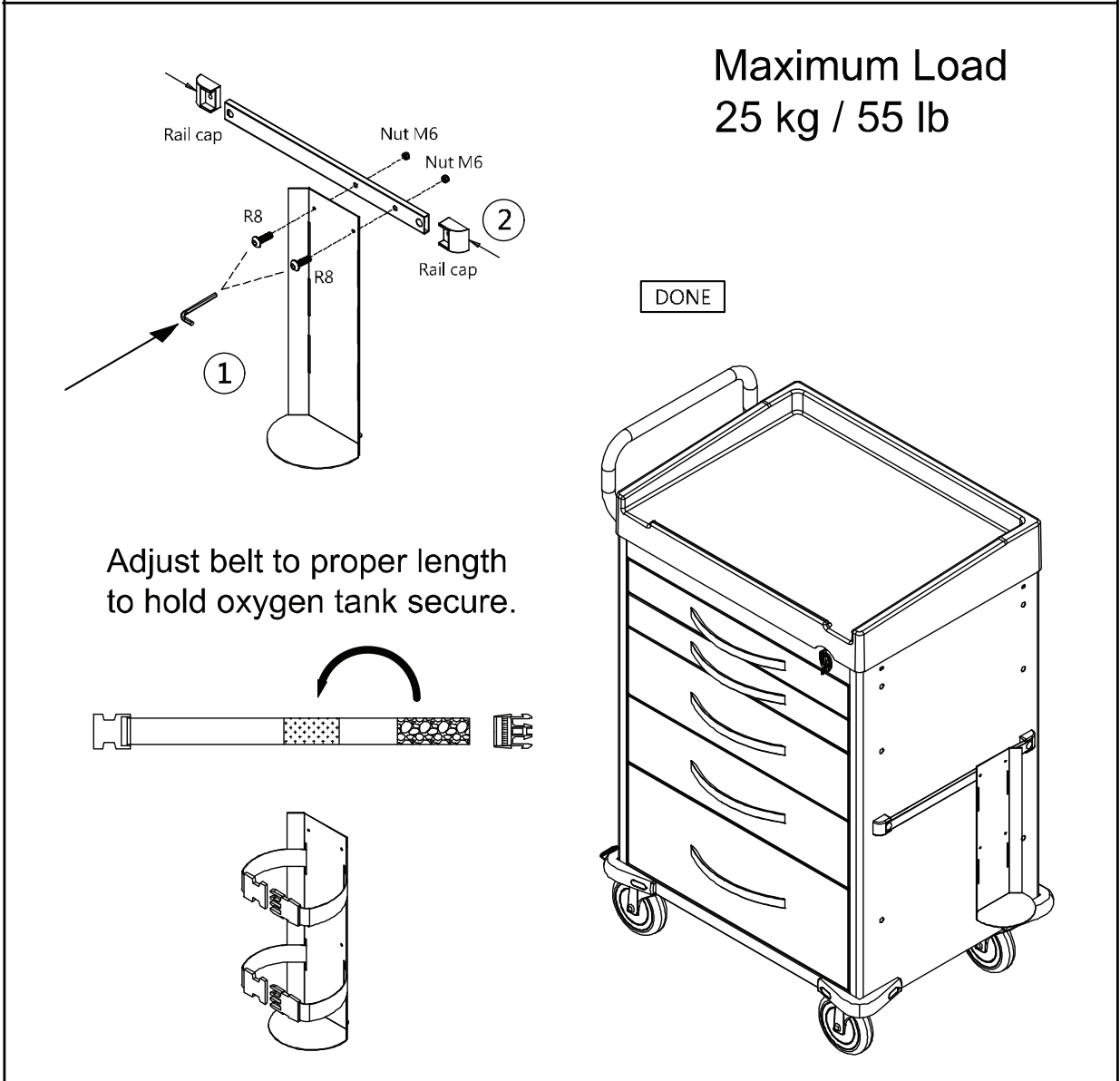
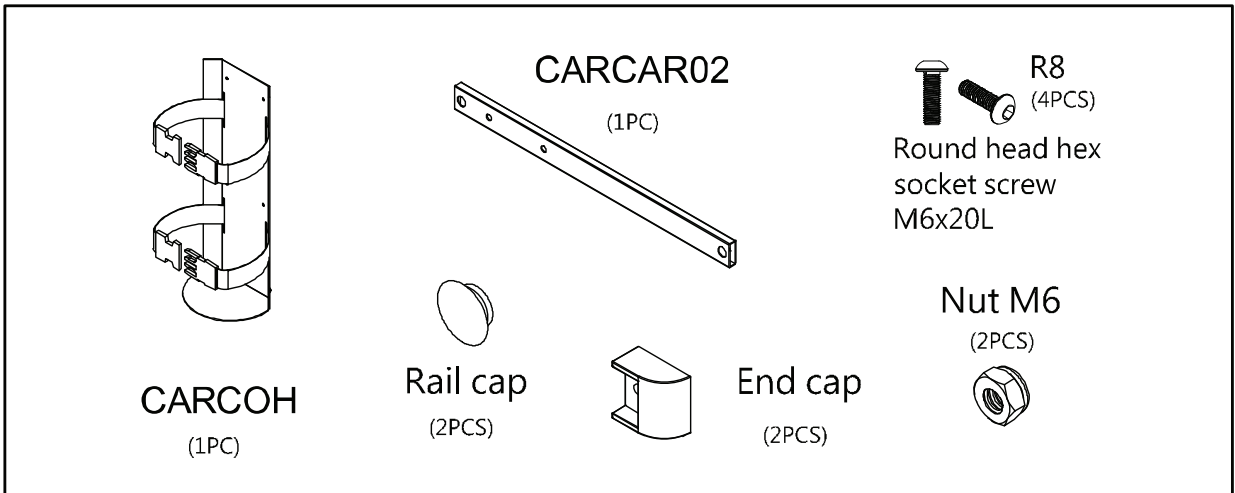
## I. Waste Container w/Lid

 <p>CARCWB</p>	<p>①</p> <p>See Step A</p>	<p>DONE</p> 
---	----------------------------	---

## J. Sharps Container Holder

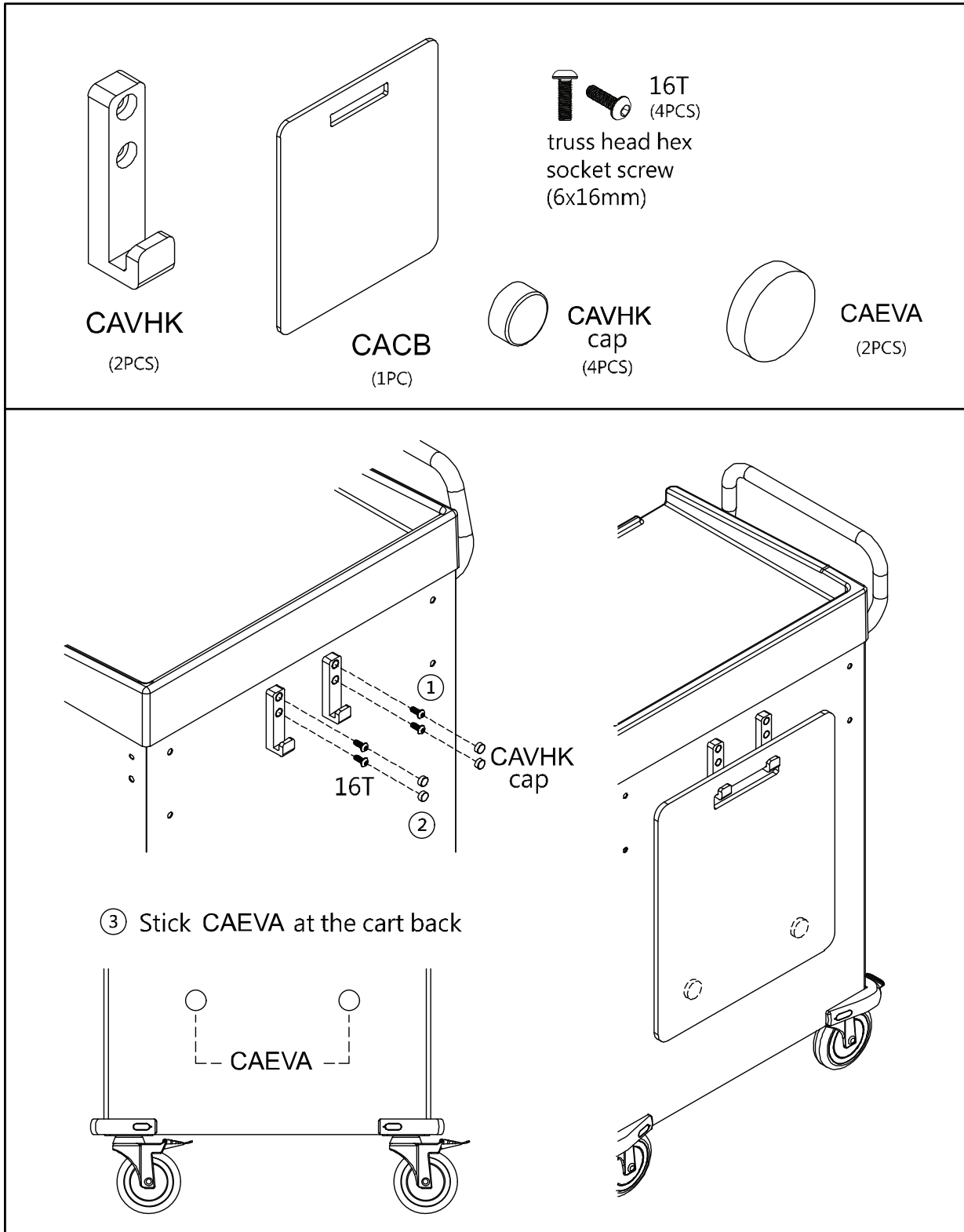
<p>CARCAR03 (1PC)</p>  <p>CARCDSC</p> 	<p>Nut M6 (2PCS)</p>  <p>Rail cap (2PCS)</p> 	<p>R8 (4PCS)</p> <p>Round head hex socket screw M6x20L</p>  <p>End cap (2PCS)</p> 
<p>②</p> <p>Nut M6</p> <p>Rail cap</p> <p>Nut M6</p> <p>Rail cap</p> <p>R8</p> <p>R8</p> <p>①</p> <p>DONE</p>  		

## K. Oxygen Tank Holder

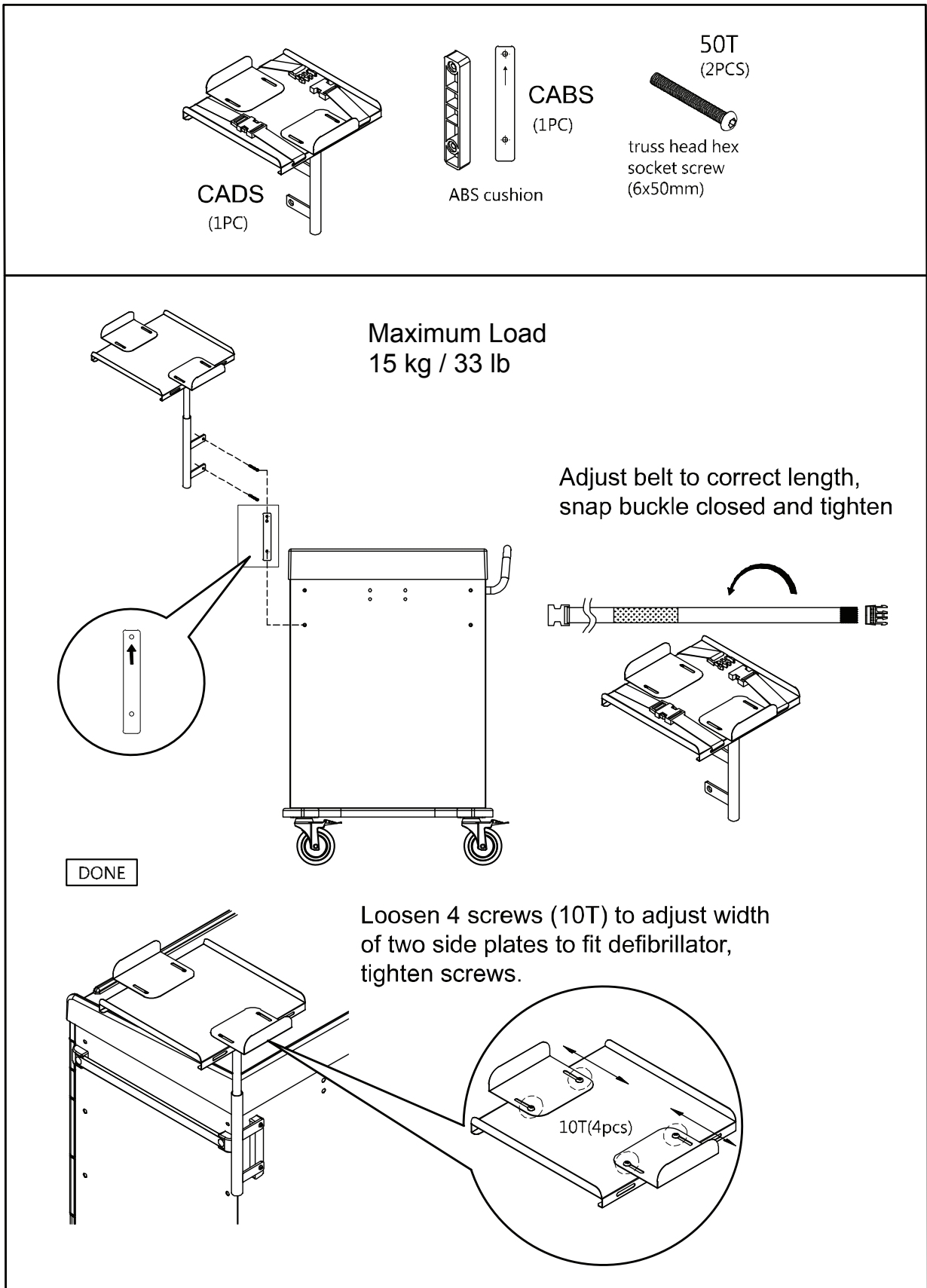


# Optional Back & Top Accessories

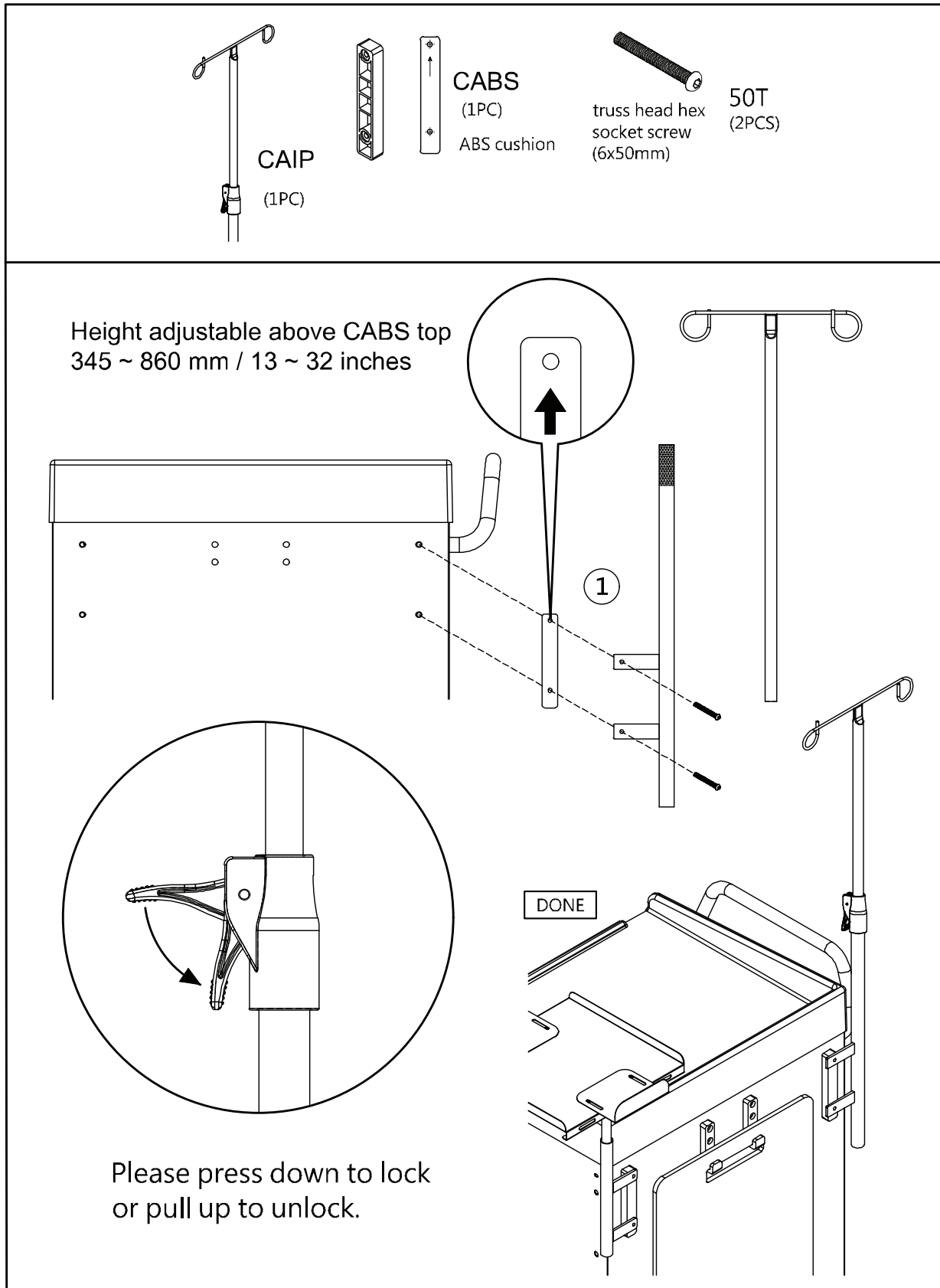
## A. CPR Cardiac Board & Hooks



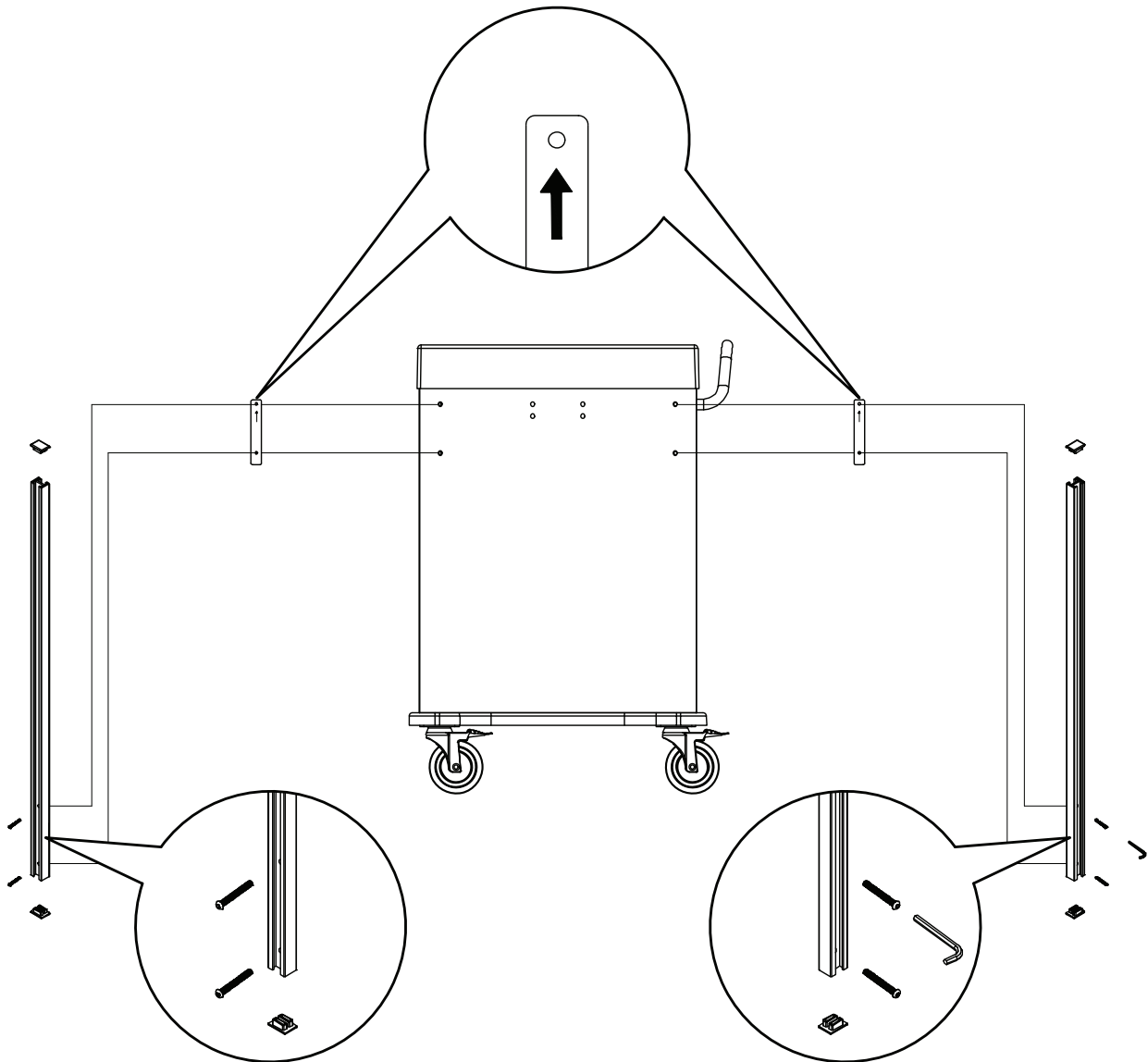
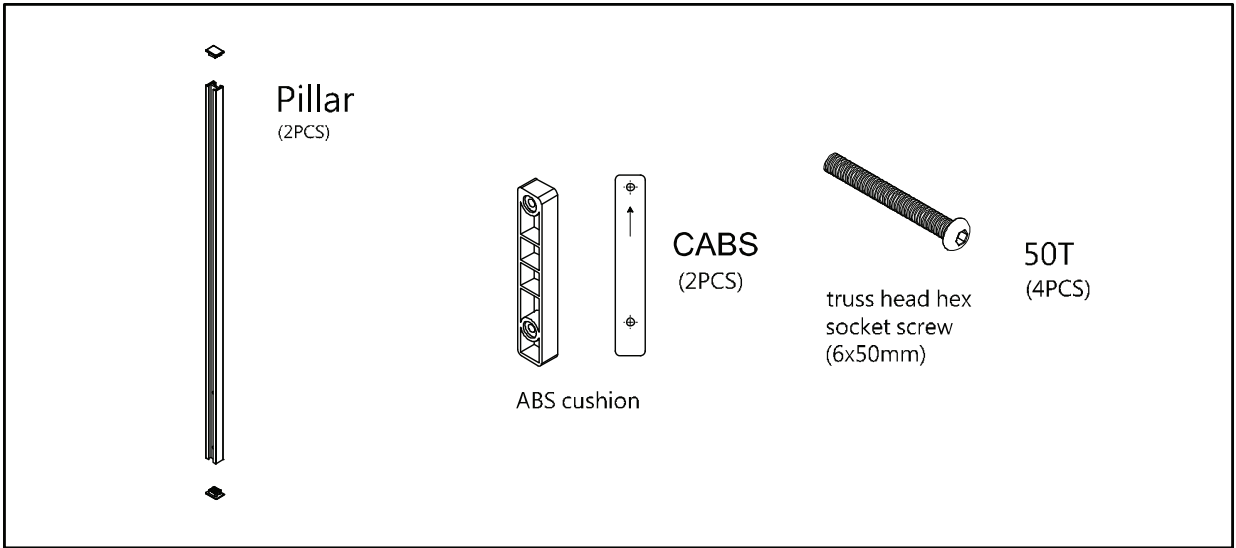
## B. Defibrillator Shelf



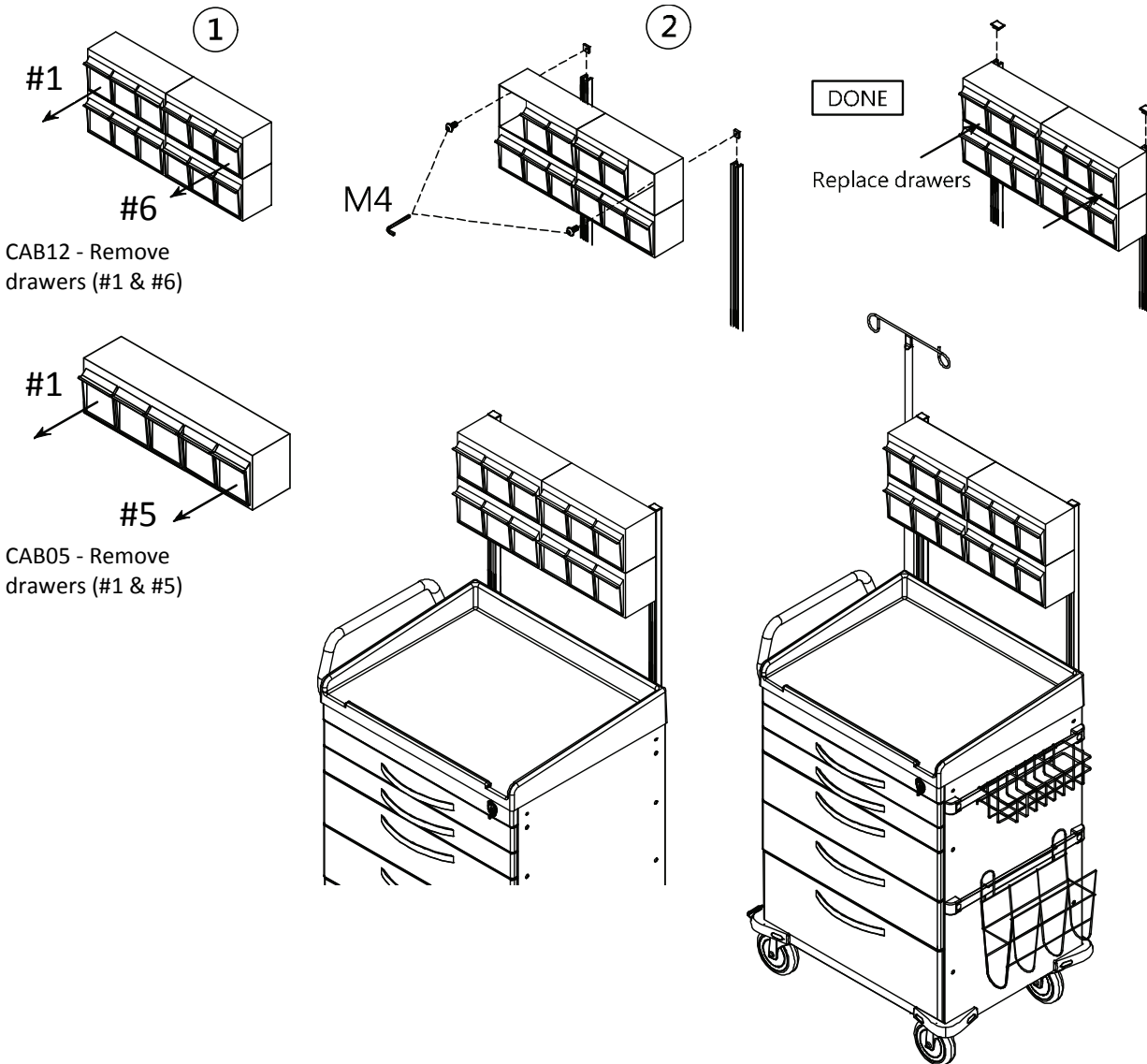
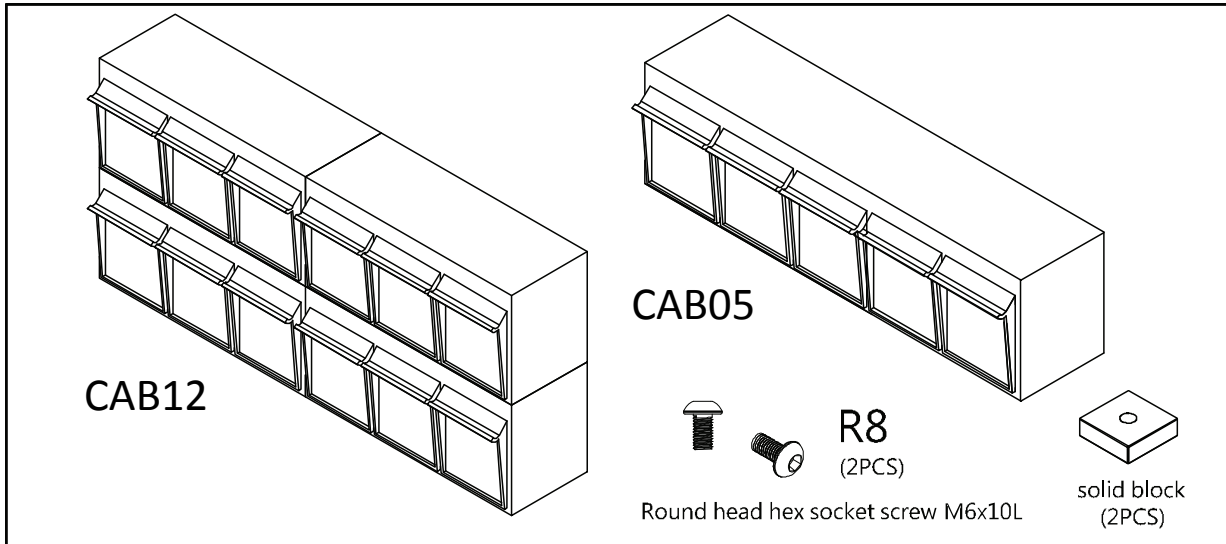
## C. IV Pole



## D. Accessory Bridge - CABB



# E. Tilt Bins Organizer

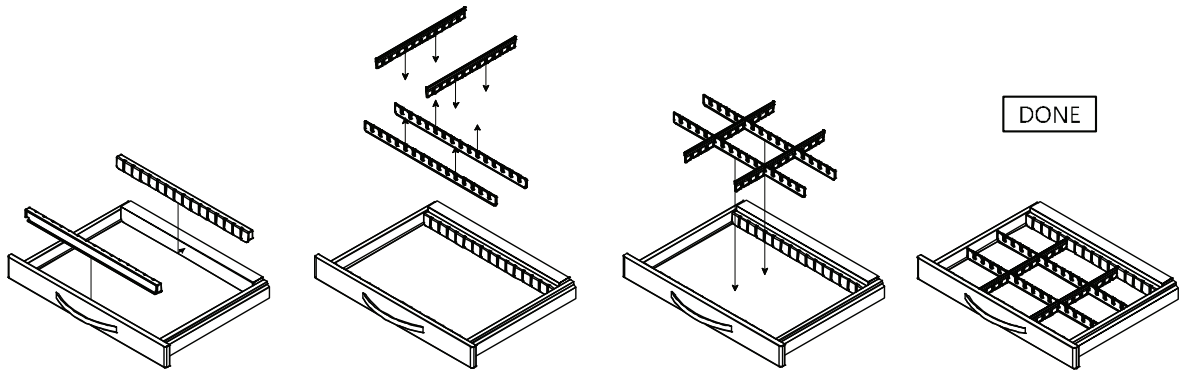




# Drawer Divider System

Maximum Load  
10 kg / 22 lb

## CARCDS3 3-inch drawer divider set



## CARCDS6 6-inch drawer divider set

