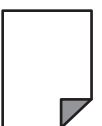
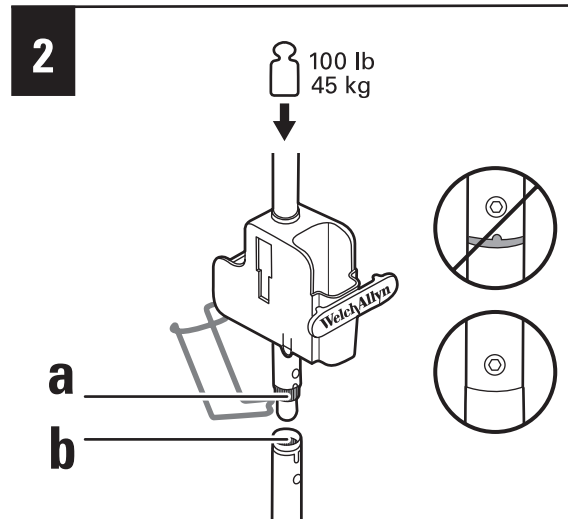
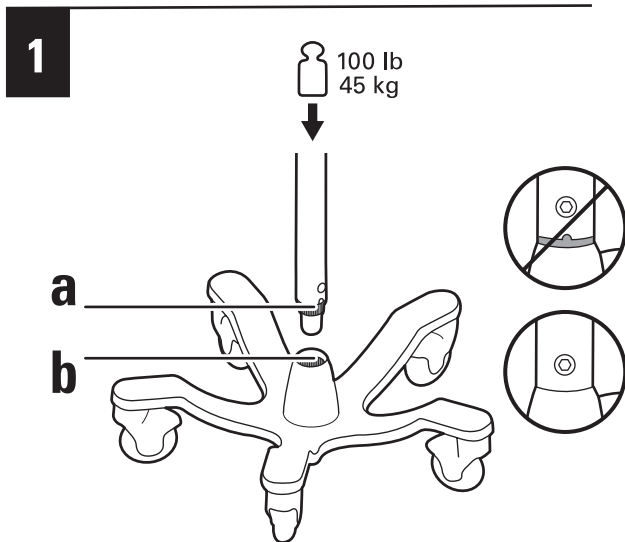
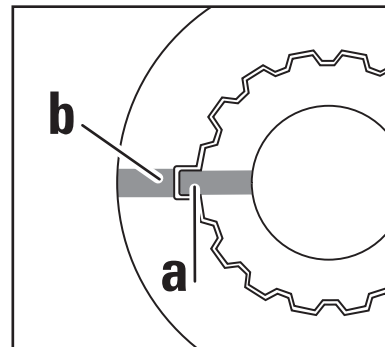
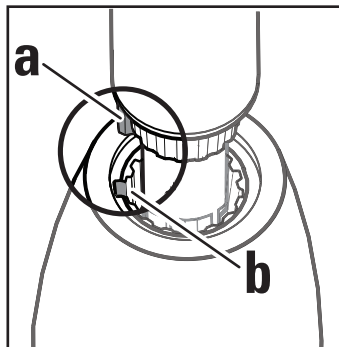
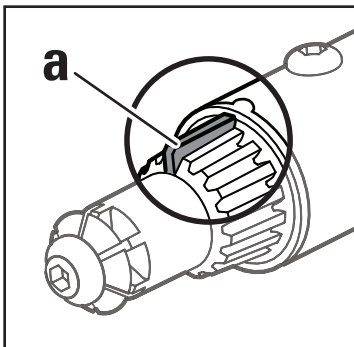
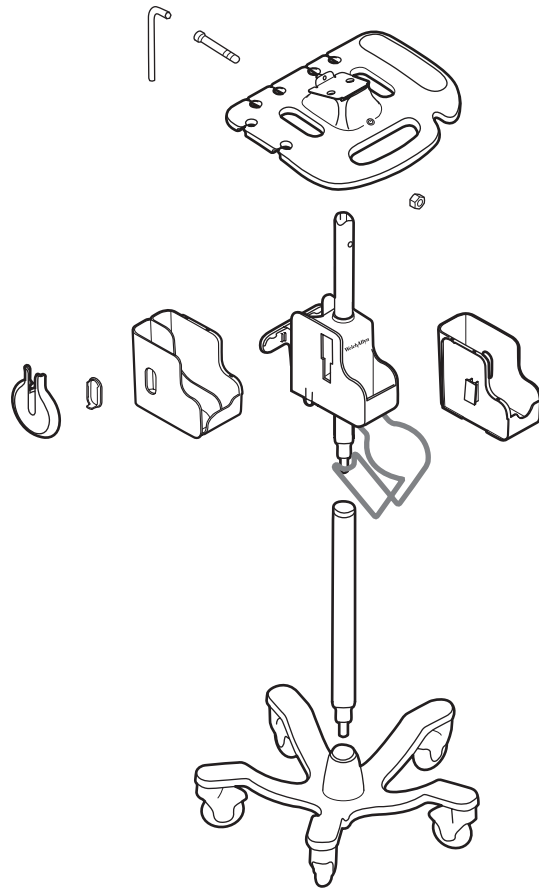


## Accessory Cable Management Mobile Stand 4800 Series

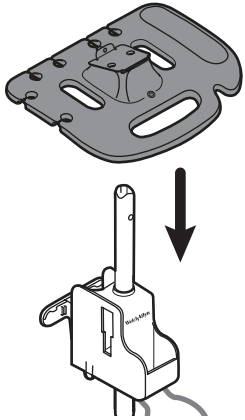
REF 4800-60

Mat. 715311 Ver. A

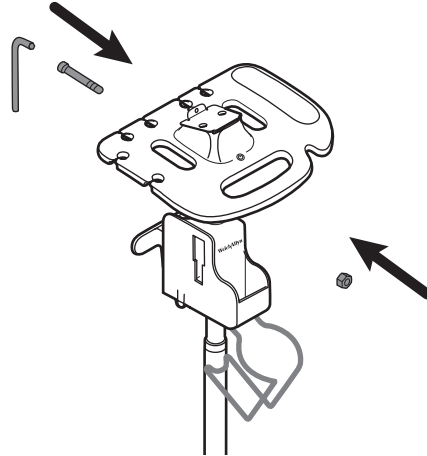
© 2010, Welch Allyn, Inc.



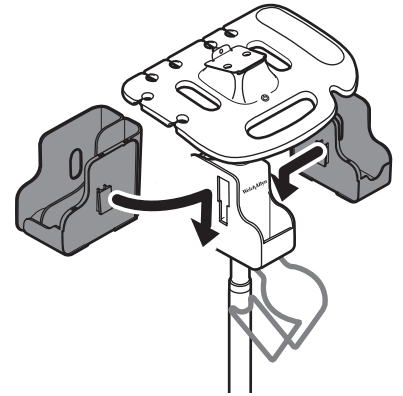
3



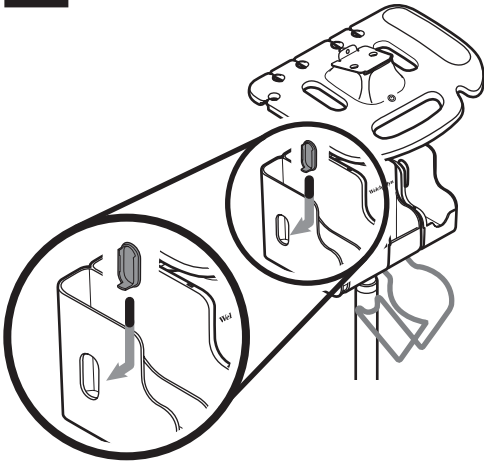
4



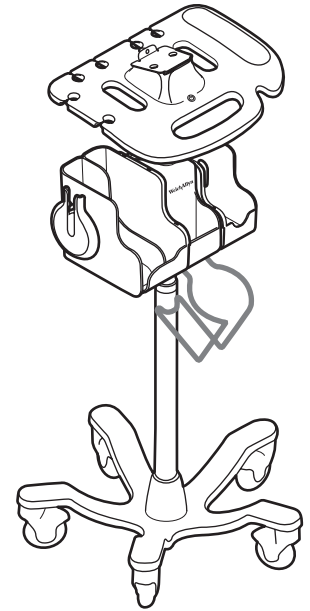
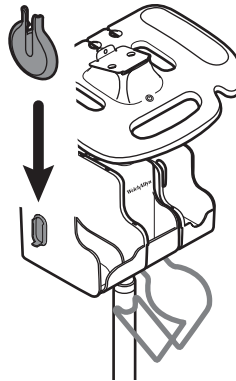
5



6



7



**Welch Allyn Technical Support** ([www.welchallyn.com/support](http://www.welchallyn.com/support))

USA 1 800 289 2501 or  
1 503 503 7500

Australia 02 9638 3000

Canada 1 800 561 8797

China 021 6327 9631

European Call Center 046 90 67790

France 01 55 69 58 49

Germany 074 77 9271 86

Japan 3 3219 0071

Latin America 1 305 669 9003

Netherlands 02 02 06 13 60

Singapore 06 41 98 100

South Africa 011 777 7555

Sweden 08 58 53 65 51

United Kingdom 0207 365 6780

 Welch Allyn, Inc.  
4341 State Street Road  
Skaneateles Falls, NY 13153-0220 USA  
[www.welchallyn.com](http://www.welchallyn.com)

**EC REP**  
Welch Allyn Ltd  
Navan Business Park  
Dublin Road, Navan  
County Meath, Republic of Ireland

**CE** The CE mark on this product indicates that it is in conformity with the provisions of Council Directive 93/42/EEC.

