



SpineNova Traction/Flexion Table



ADIME903-41



The **SpineNova Traction/Flexion Table** brings together clinical precision and patient-centered comfort, making it an indispensable asset in any chiropractic office. Its reinforced structure supports consistent performance during high-volume patient care, while the contoured cushioning provides an optimal balance of firmness and comfort to aid proper spinal alignment. Upholstered in professional-grade, easy-to-sanitize vinyl, the table withstands repeated cleanings without losing its integrity which is an essential feature for maintaining both hygiene and a polished clinical environment. Multiple adjustable sections, including head, thoracic, lumbar, and pelvic regions, give practitioners the ability to tailor positioning for a wide range of techniques, from drop-assisted adjustments to soft tissue mobilization.

Equally important, SpineNova is designed with practitioner ergonomics in mind. Height adjustability minimizes operator fatigue, enabling more efficient, controlled delivery of care throughout a busy schedule. Smooth mechanical transitions and secure locking mechanisms provide both stability and safety during adjustments, instilling confidence in practitioners while reassuring patients. With its modular design and adaptability, the SpineNova is not just a table, but a versatile platform that grows with your practice, ensuring reliable performance across the full spectrum of chiropractic treatments.

Features

Effortless: The electric Hi-Lo operation, managed by a foot controller, allows for seamless patient positioning with minimal effort.

Height Adjustment: Smooth transition from 18"–31.5", completed in approximately 30 seconds.

Comprehensive: Four independent drop sections (Cervical, Thoracic, Lumbar, Pelvic) provide versatility for a wide range of chiropractic adjustments.

Precision Head Section: Features a width-adjustable cushioned support platform, gas strut lifting mechanism with $\pm 20^\circ$ dynamic adjustment, and 4" vertical height adjustability for superior treatment flexibility.

Enhanced Lateral Movement: Its Head section includes $\pm 15^\circ$ lateral motion, supporting diversified adjustment techniques.

Adaptable Footrest: The height-adjustable and extendable padded footrest enhances patient comfort across various body types.

Stability: Adjustable feet accommodate uneven surfaces, while silent casters enable smooth and quiet repositioning.

Effortless Mobility: Four retractable castors with a central locking mechanism simplify safe and stable table transport.

Medical-Grade Upholstery: Durable PVC vinyl resists stains, mildew, and wear up to 150,000 cycles.

Thick Padding: 3" padding combined with dense foam ensures long-lasting resilience and patient comfort.

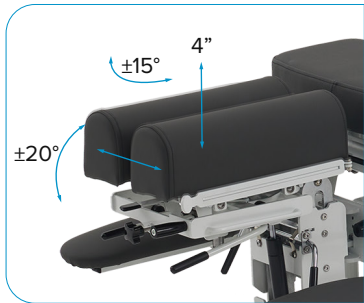
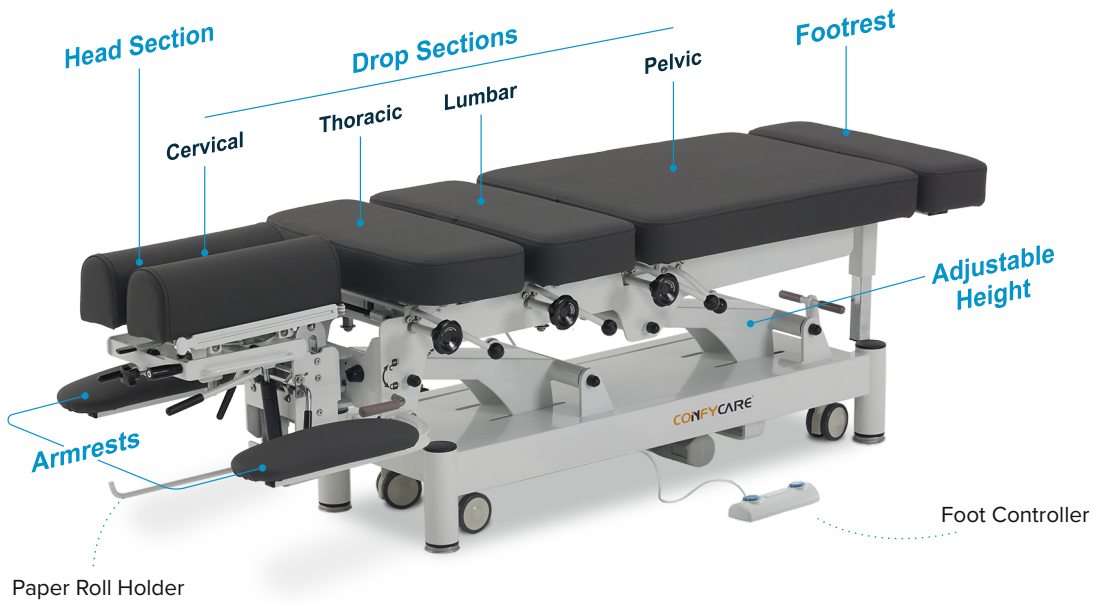
Weight Capacity: Supports up to 551 lbs., accommodating a broad patient population.

Features

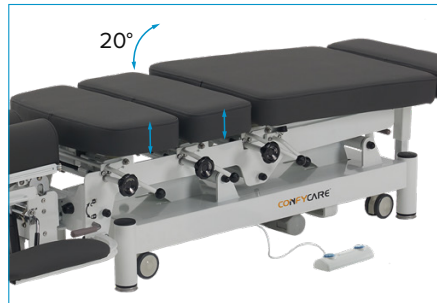
551 lbs.
weight capacity



Medical-Grade Upholstery



Precision Head Section



Adjustable Independent Drop Sections



Height-Adjustable and Extendable Padded Footrest



Adjustable Feet and Retractable Castors with a Central Locking Mechanism

Specifications

Dimensions	72.8"–78.7" L x 22" W
Height Range	18.1"–31.5", adjusts in approximately 30 seconds via electric Hi-Lo system
Head Section	<ul style="list-style-type: none"> • Width-adjustable cushioned support platform • Gas strut lifting head with $\pm 20^\circ$ adjustment range • Vertical lift adjustability of 4" • Lateral head tilt adjustment $\pm 15^\circ$
Back & Leg Section Movement	Dynamic adjustment of up to 20° for patient positioning
Footrest	Height-adjustable and extendable, padded for comfort
Drop Sections	Four independent drops (Cervical, Thoracic, Lumbar, Pelvic) for diversified chiropractic techniques
Mobility & Stability	<ul style="list-style-type: none"> • Adjustable feet for uneven floors • Four retractable castors with a central locking system • Silent castors for smooth repositioning
Padding & Upholstery	<ul style="list-style-type: none"> • 3" thick padding with high-density 100 kg/m^3 (220 lbs/m^3) foam • PVC vinyl upholstery, fire-retardant (BS 5852 compliant), resistant to stains, mildew, and wear (tested to 150,000 cycles)
Weight Capacity	551 lbs.