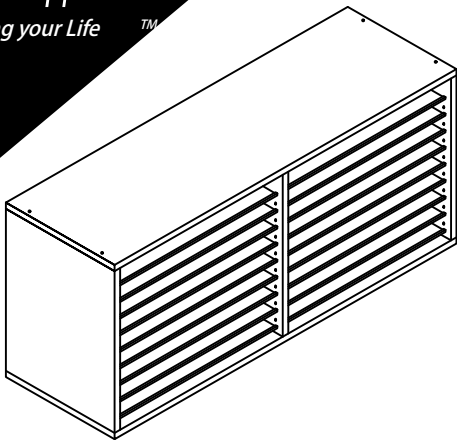




ADIRoffice

Simplifying your Life™

#503-20



**LITERATURE ORGANIZER WITH
ADJUSTABLE SHELVES**

THANK YOU FOR CHOOSING THE VERTICAL DESKTOP SORTER! This compact desktop organizer is perfect for any busy office. It can hold numerous documents, letters, and memos. It includes 20 solid hardboard shelves that can create up to 24 letter-sized compartments. Our compact organizer was designed so the shelves can be customized to create larger compartments for document bundles when needed. This desktop sorter is constructed of quality compressed wood with a laminate finish and has a hardboard back which allows this organizer to support up to 15 lbs.

NOTES

- Do not store liquids inside the compartments
- Designed for inside use only
- Never stand on the sorter as it was not designed to hold more than 15 lbs

BEFORE YOU ASSEMBLE

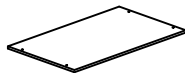
- Place all parts on a clean, smooth surface to avoid scratching the parts
- Check to be sure you have all parts and hardware
- Remove all wrapping materials, including any staples & packing straps
- Keep all hardware, small parts and packaging out of reach of children

Assembly Instructions

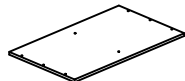
1

CODE	PART LIST	QTY
------	-----------	-----

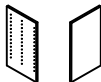
1	UPPER PANEL	1
---	-------------	---



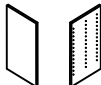
2	LOWER PANEL	1
---	-------------	---



3	LEFT SIDE PANEL	1
---	-----------------	---



4	RIGHT SIDE PANEL	1
---	------------------	---



5	PARTITION	1
---	-----------	---



Assembly Instructions

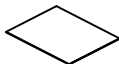
2

CODE	PART LIST	QTY
------	-----------	-----

6

SHELF

18



7

EDGE CHANNEL

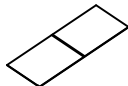
18



8

BACK PANEL

2



9

SHELF SUPPORT

108



10

WOOD DOWEL M6

20



Assembly Instructions

3

CODE	PART LIST	QTY
------	-----------	-----

11

WHITE CAP

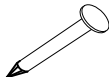
96



12

NAIL

22

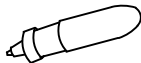


13

BOTTLE GLUE

1

INSERT GLUE INTO HOLES BEFORE INSERT THE DOWELS



SPARE

SHELF SUPPORT

6

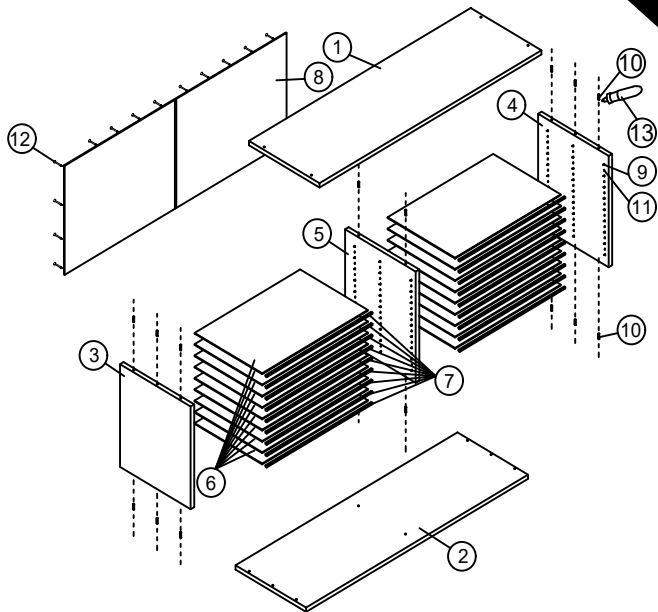


SPARE

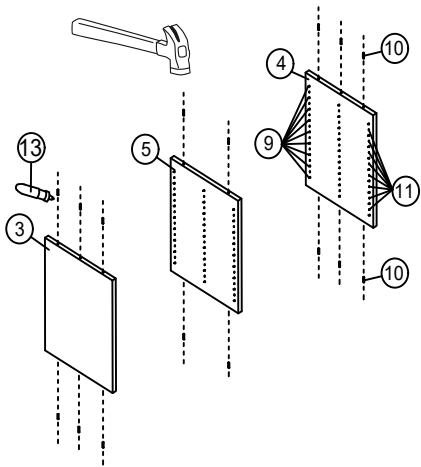
WHITE CAP

6

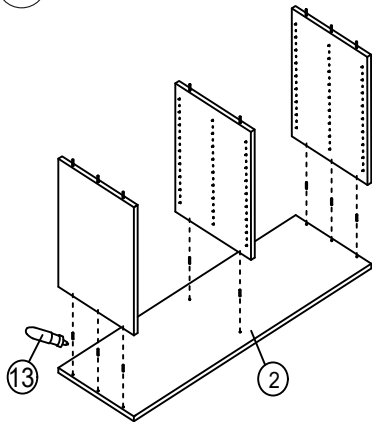




1

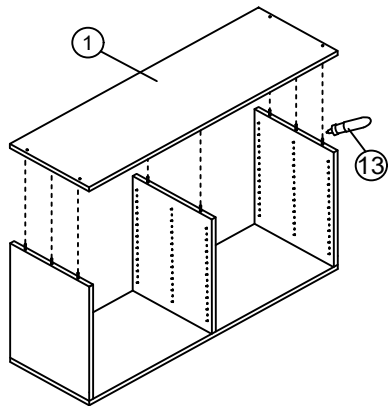


2

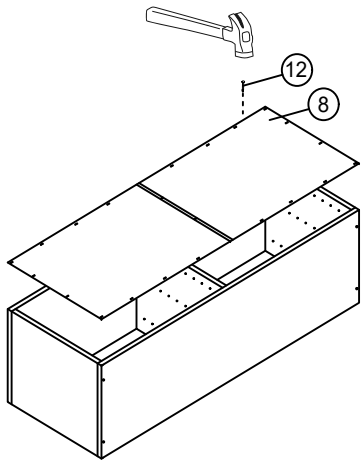


5

3

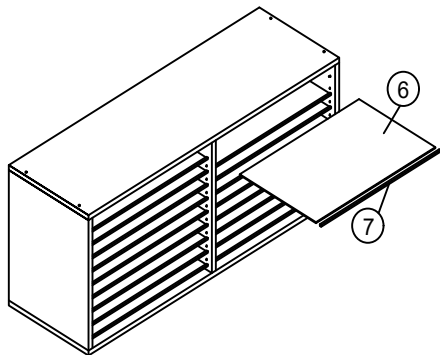


4

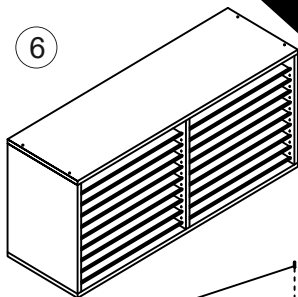


6

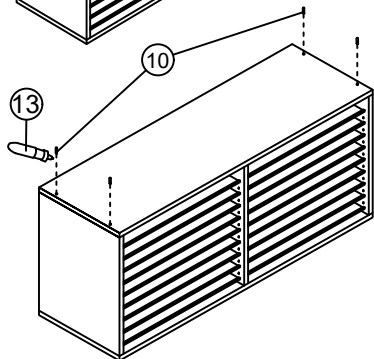
5



6



7





follow us on

