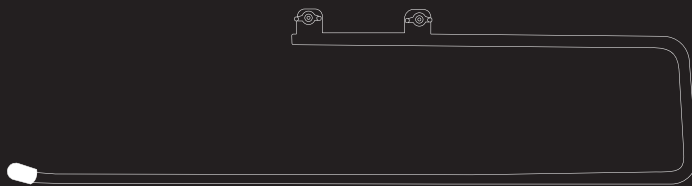




HI-LO EXAM PAPER ROLL ATTACHMENT



ADI903-PAPER

USER GUIDE



THANK YOU FOR YOUR PURCHASE.

Known in the industry for excellent products, Alpine Industries is a manufacturer of innovative, solution-based products for the commercial and institutional markets worldwide.

Combining commitment to the customer, design innovation and skilled, dedicated workforces, they have produced a range of products that are an essential part of every commercial facility.

Every product is designed to the highest standards, enabling you to get your requirements done in a reliable and cost-effective way.



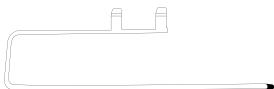
Table of Contents

- 3** Parts and Hardware
- 4** Installation
- 7** Limited Warranty
- 8** Disclaimer

Parts and Hardware

Parts:

A



Hi-Lo Exam Paper Roll Attachment

Hardware:

1



Wing Nuts

2



Bolts (X2)

3



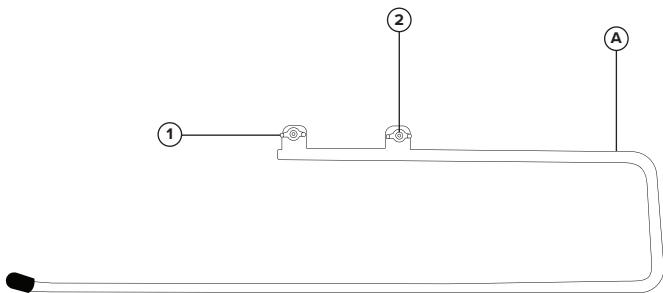
Exam Paper Roll

Installation

STEP 1

A. To install your Hi Lo Exam Paper Roll Attachment (A) to your exam bed, take it out of the package and lay on a flat surface.

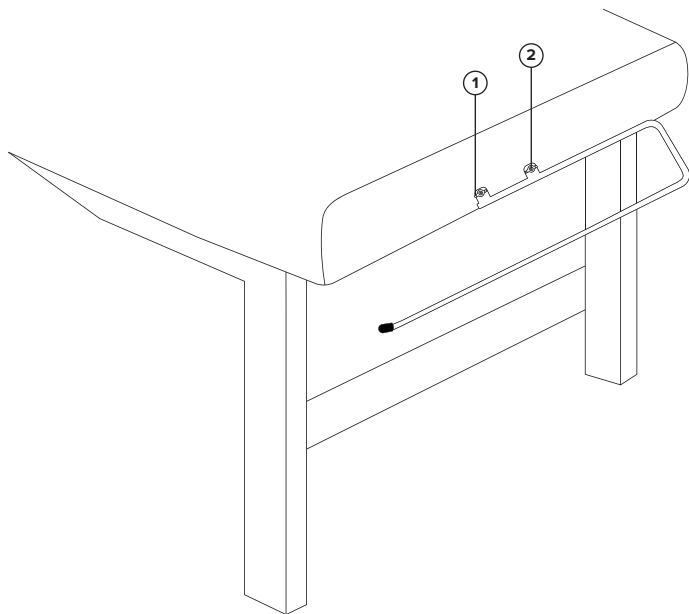
B. Unscrew the two Wing Nuts (1) from the Bolts (2) on the Exam Paper Roll Attachment (A).



Installation

STEP 2

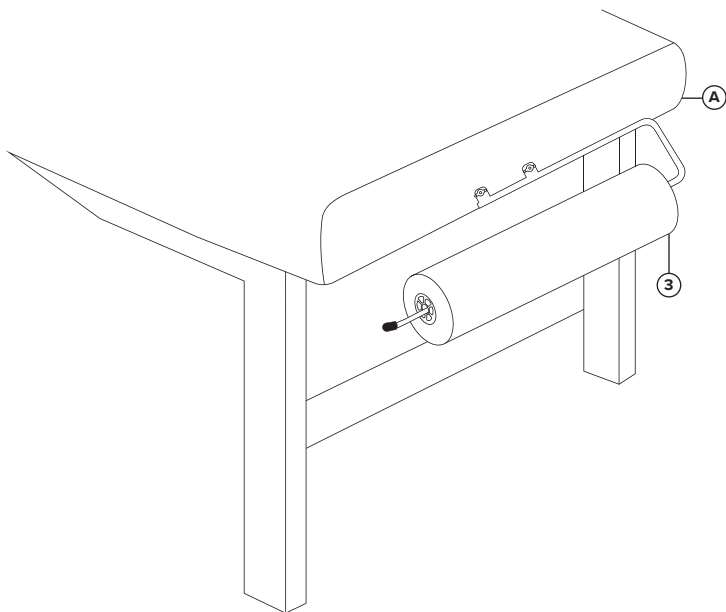
- A. Thread the Bolts (2) through the two holes in the front of your exam bed.
- B. Screw the two Wing Nuts (1) onto the Bolts (2) and tighten.



Installation

STEP 3

A. Add your Exam Paper Roll (3), and you're all set to start using your Hi Lo Exam Paper Roll Attachment (A).



Limited Warranty

1. Alpine Industries (the company) warrants to the purchaser that the product will be free from defects in workmanship and materials for a period of one (1) year from the date of purchase.
2. These warranties are not assignable or transferable to any other person.
3. Any damage to the product as a result of misuse, tampering, abuse, neglect, accident, improper installation, modification, unauthorized service, destruction, or the alteration of the serial number or use violates of the instructions furnished by the Company will void this warranty.
4. The sole responsibility of the Company shall be limited to the repair or replacement (in its sole discretion) of any component of the product which fails to conform to this warranty at no cost to the purchaser for the period of the warranty.
5. Contact the Company directly to obtain service under this warranty. If it becomes applicable to send a defective product to the Company, a Return Authorization Number must first be obtained from the company. In order to obtain service under this warranty, purchaser must provide the Company with the following items (a) proof of purchase, (b) police or fire department report, (c) photographs of damaged sad, and (d) written testimonial.
6. Products shipped without prior Return Authorization and Return Authorization Number may not be accepted, and the Company will not be responsible for their disposition and/or cost of return to the owner.
7. The Company will not assume any responsibility for any loss or damage incurred in shipping. All return authorized products should include a copy of the original invoice in order that this warranty may be Honored.
8. This warranty is not an insurance policy. The Company is not responsible for any manner of damage to or theft of the Purchaser's product or its contents.
9. We recommend that the product being returned is accompanied by the sales receipt with all relevant information regarding the purchase of the item and is returned to the Company within ten (10) days of the claim date of purchase to validate this warranty.
10. Any implied warranties that the purchaser may have are limited to the duration of the warranties described above. There are no further warranties that extend or apply beyond the face hereof, and the company expressly disclaims and excludes any and all warranties of merchantability or fitness for a particular purpose. Some states do not allow limitations on how long an implied warranty lasts, so the above limitation may not apply to you.
11. Repair or replacement shall be the sole remedy for the purchaser under this warranty. The company shall not be liable for any direct, indirect, incidental or consequential damages, losses or expense arising from the use or misuse of the product. Some states do not allow the exclusion or limitations of incidental or consequential damages, so the limitation may not apply to you.
12. This warranty gives you specific legal rights, and you may also have other rights which vary from state to state.

Disclaimer

By purchasing products from Alpine Industries, the user agrees as follows:

TO THE MAXIMUM EXTENT PERMITTED BY LAW, THE PRODUCTS AND INFORMATION ON THIS SITE IS PROVIDED "AS IS" AND WITH ALL FAULTS AND ALPINE INDUSTRIES. MAKES NO PROMISES, REPRESENTATIONS, OR WARRANTIES, EITHER EXPRESS, IMPLIED, STATUTORY, OR OTHERWISE, WITH RESPECT TO THE PRODUCTS AND INFORMATION, INCLUDING ITS CONDITION, ITS CONFORMITY TO ANY REPRESENTATION OR DESCRIPTION, OR THE EXISTENCE OF ANY LATENT OR PATENT DEFECTS, AND ALPINE INDUSTRIES. SPECIFICALLY DISCLAIMS ALL IMPLIED (IF ANY) WARRANTIES OF TITLE, MERCHANTABILITY, NON INFRINGEMENT, FITNESS FOR A PARTICULAR PURPOSE, ACCURACY OR COMPLETENESS, QUIET ENJOYMENT, AND QUIET POSSESSION. THE ENTIRE RISK ARISING OUT OF USE OR PERFORMANCE OF THE PRODUCTS AND INFORMATION LIES WITH USER.

TO THE MAXIMUM EXTENT PERMITTED BY LAW, IN NO EVENT SHALL ALPINE INDUSTRIES PRODUCTS OR ITS SUPPLIERS BE LIABLE FOR CONSEQUENTIAL, INCIDENTAL, SPECIAL, INDIRECT, OR EXEMPLARY DAMAGES WHATSOEVER ARISING OUT OF OR IN ANY WAY RELATING TO THIS AGREEMENT OR USER'S USE OF OR INABILITY TO USE THE PRODUCTS AND INFORMATION, OR THE PROVISION OR FAILURE TO PROVIDE SUPPORT SERVICES, INCLUDING, BUT NOT LIMITED TO, LOST PROFITS, LOSS OF CONFIDENTIAL OR OTHER INFORMATION, BUSINESS INTERRUPTION, PERSONAL INJURY, LOSS OF PRIVACY, FAILURE TO MEET ANY DUTY (INCLUDING OF GOOD FAITH OR REASONABLE CARE), NEGLIGENCE, COSTS OF PROCUREMENT OF SUBSTITUTE GOODS OR SERVICES, OR ANY OTHER CLAIM FOR PECUNIARY OR OTHER LOSS WHATSOEVER, OR FOR ANY CLAIM OR DEMAND AGAINST USER BY ANY OTHER PARTY, EVEN IF ALPINE INDUSTRIES HAS BEEN ADVISED OF THE POSSIBILITY OF SUCH DAMAGES. THESE LIMITATIONS SHALL APPLY NOTWITHSTANDING ANY FAILURE OF ESSENTIAL PURPOSE OF ANY LIMITED REMEDY.

NOTWITHSTANDING ANY DAMAGES USER MAY INCUR FOR ANY REASON WHATSOEVER (INCLUDING, WITHOUT LIMITATION, ALL DAMAGES REFERENCED ABOVE AND ALL DIRECT OR GENERAL DAMAGES), THE ENTIRE LIABILITY OF ALPINE INDUSTRIES AND ANY OF ITS SUPPLIERS UNDER ANY PROVISION OF THIS AGREEMENT AND YOUR EXCLUSIVE REMEDY FOR ALL OF THE FOREGOING SHALL BE LIMITED TO THE GREATER OF THE AMOUNT ACTUALLY PAID FOR THE PRODUCTS AND INFORMATION OR U.S. \$1. THE FOREGOING LIMITATIONS, EXCLUSIONS, AND DISCLAIMERS SHALL APPLY TO THE MAXIMUM EXTENT PERMITTED BY APPLICABLE LAW, EVEN IF ANY REMEDY FAILS ITS ESSENTIAL PURPOSE.

If any provision of this Agreement is declared invalid or unenforceable, the remaining provisions of this Agreement will remain in effect. Alpine Industries has the right to modify these terms and conditions at any time.



ADI903-PAPER

64 Mountainview Boulevard • Wayne, NJ • 07470 • © 2022 Alpine Industries.

alpineindustries.com