

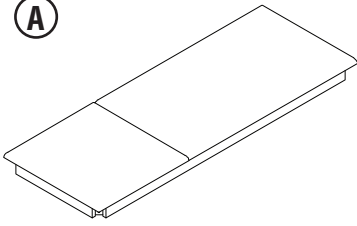
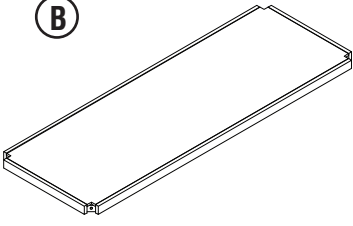
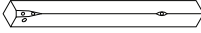
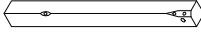
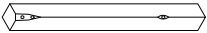
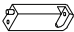
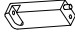
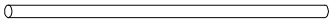

ITEM# 996-03










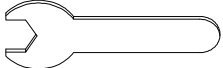
WOODEN EXAM TABLE

ASSEMBLY INSTRUCTIONS

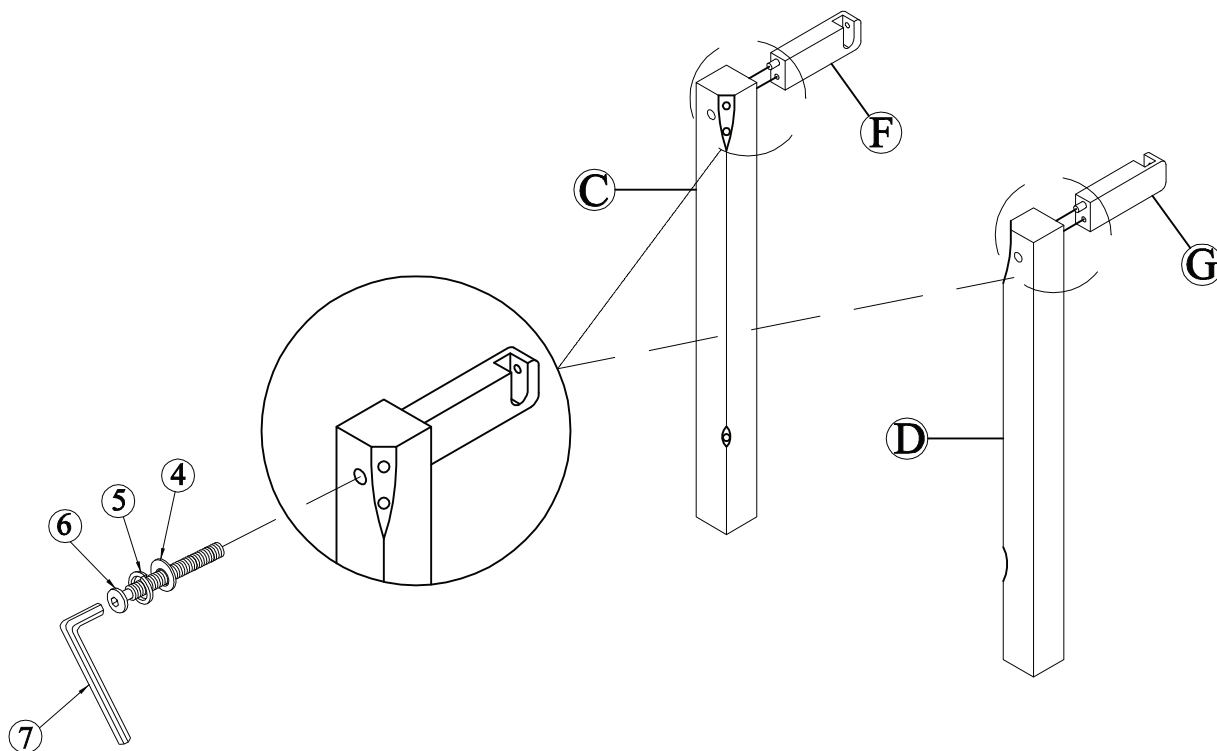
PART LIST

<p>(A)</p>  <p>X1 TABLE TOP</p>	<p>(B)</p>  <p>X2 TABLE SHELF</p>	<p>(C)</p>  <p>X1 BACK LEG</p>	<p>(D)</p>  <p>X1 BACK LEG</p>
<p>(E)</p>  <p>X2 FRONT LEG</p>	<p>(F)</p>  <p>X1 PAPER HOLDER 1</p>	<p>(G)</p>  <p>X1 PAPER HOLDER 2</p>	<p>(H)</p>  <p>X1 PAPER HOLDER RACK</p>
<p>(I)</p>  <p>X1 WOODEN KNOB</p>			

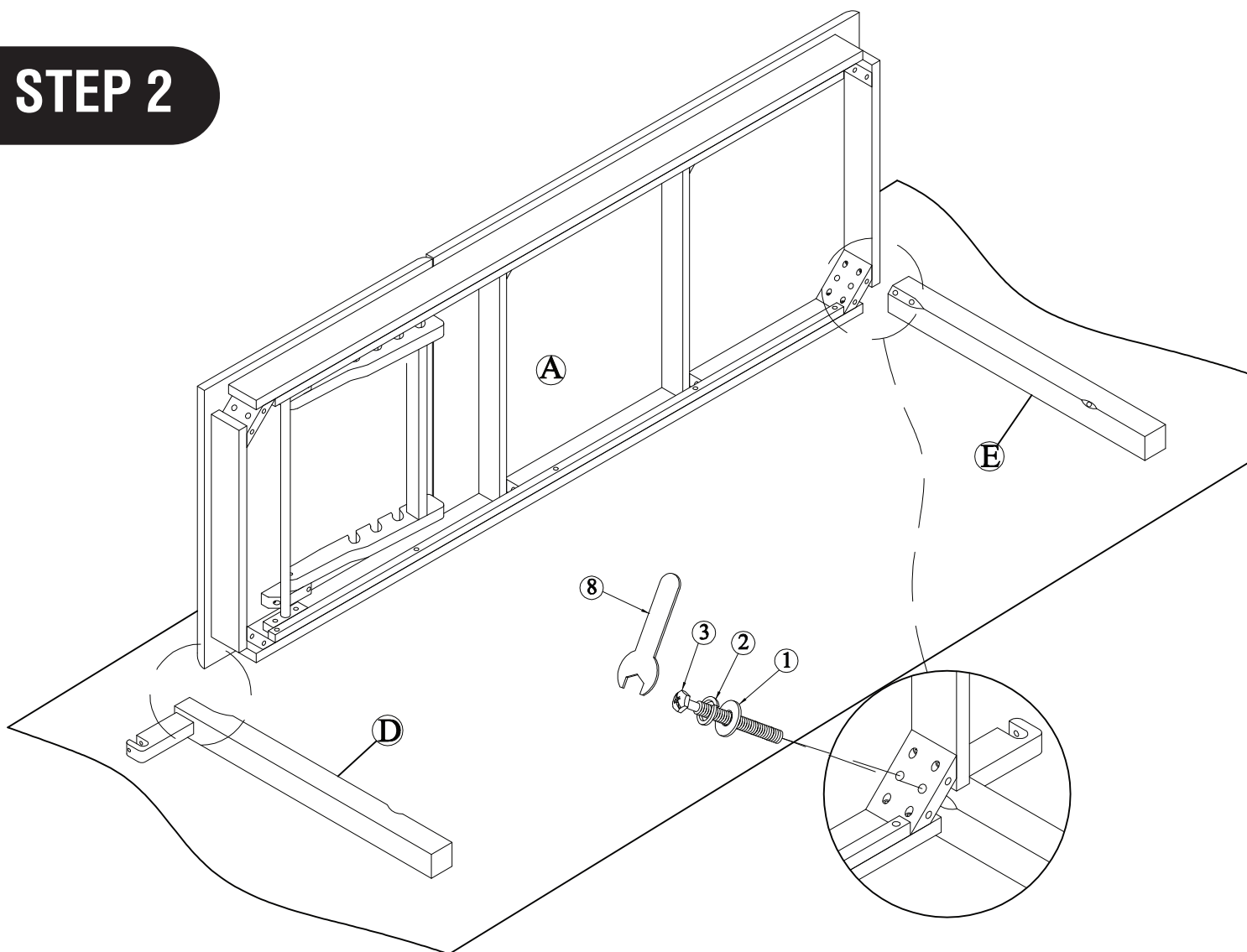
HARDWARE

<p>(1)</p>  <p>12X BIG FLAT WASHER</p>	<p>(2)</p>  <p>12X BIG SPRING WASHER</p>	<p>(3)</p>  <p>12X BIG BOLT</p>	<p>(4)</p>  <p>2X SMALL FLAT WASHER</p>
<p>(5)</p>  <p>2X SMALL SPRING WASHER</p>	<p>(6)</p>  <p>2X SMALL BOLT</p>	<p>(7)</p>  <p>1X ALLEN KEY</p>	<p>(8)</p>  <p>1X WRENCH</p>

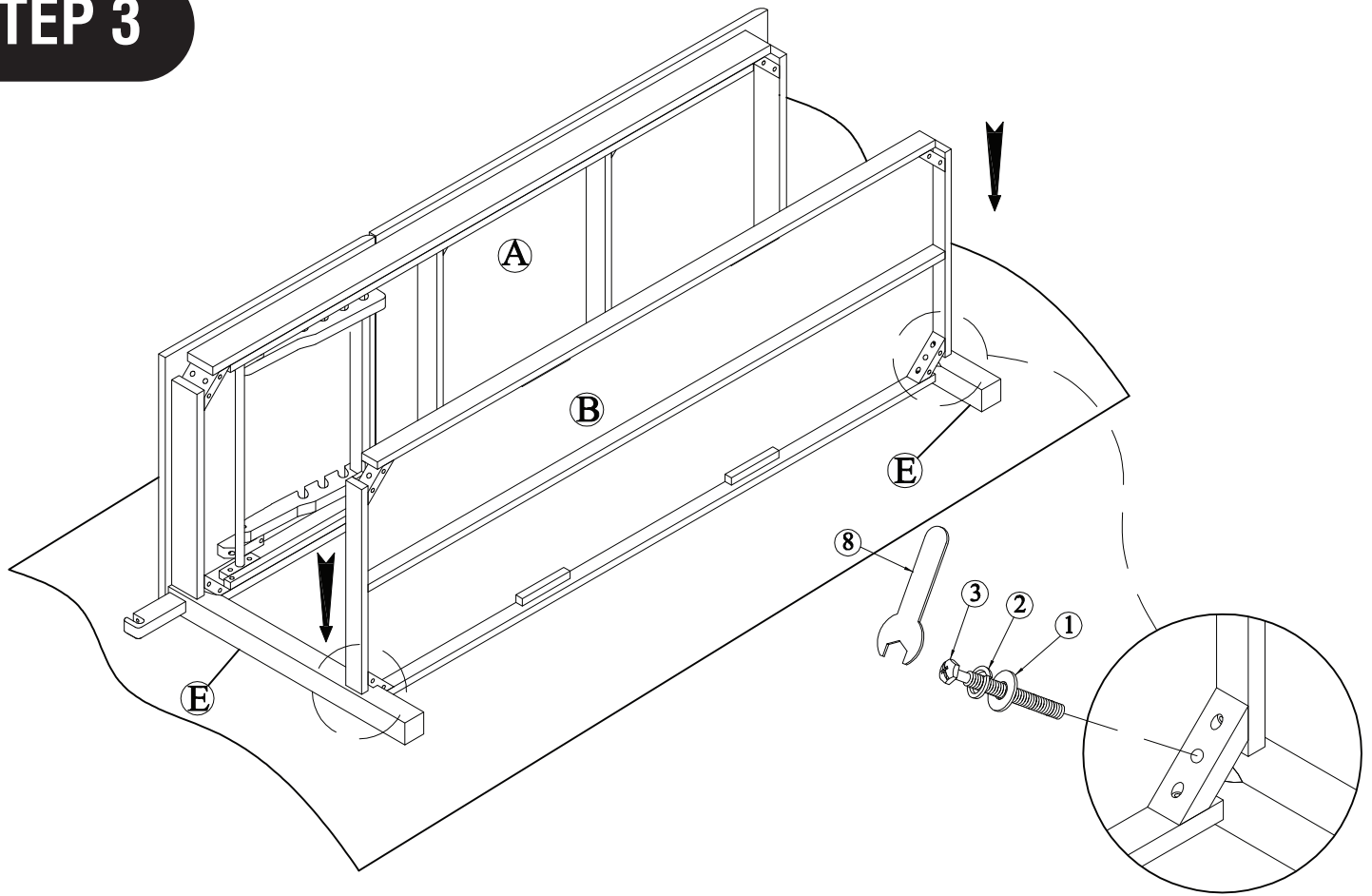
STEP 1



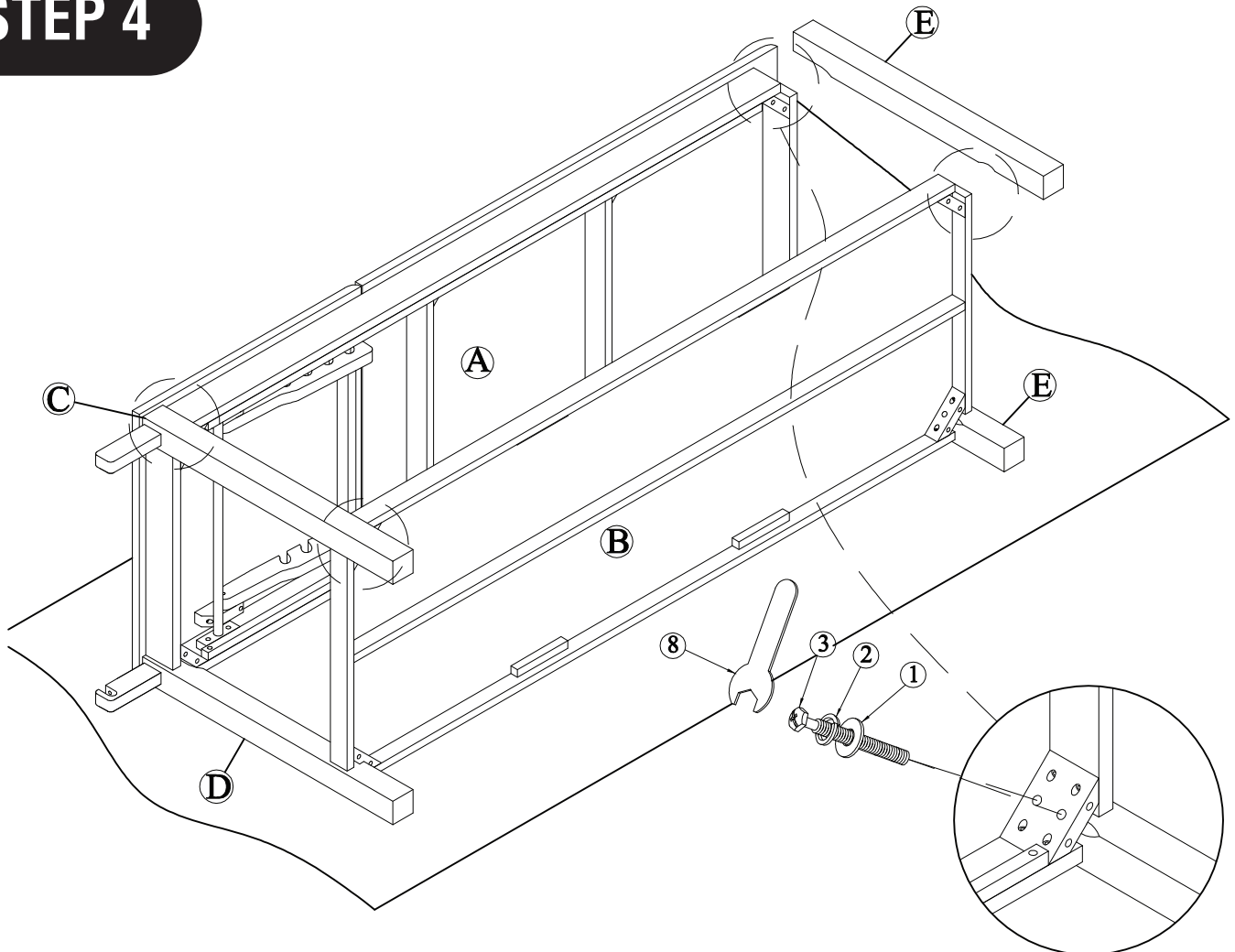
STEP 2



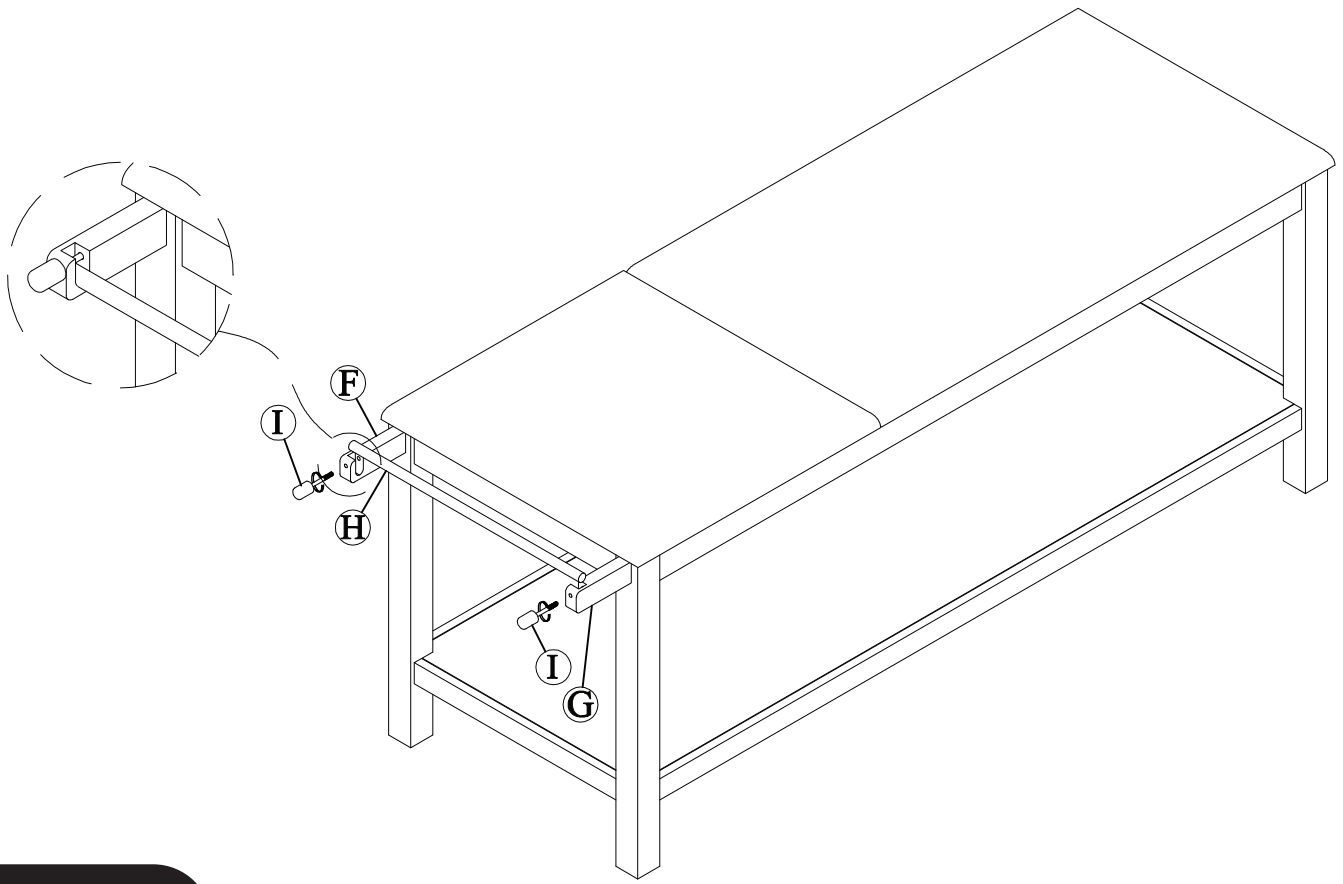
STEP 3



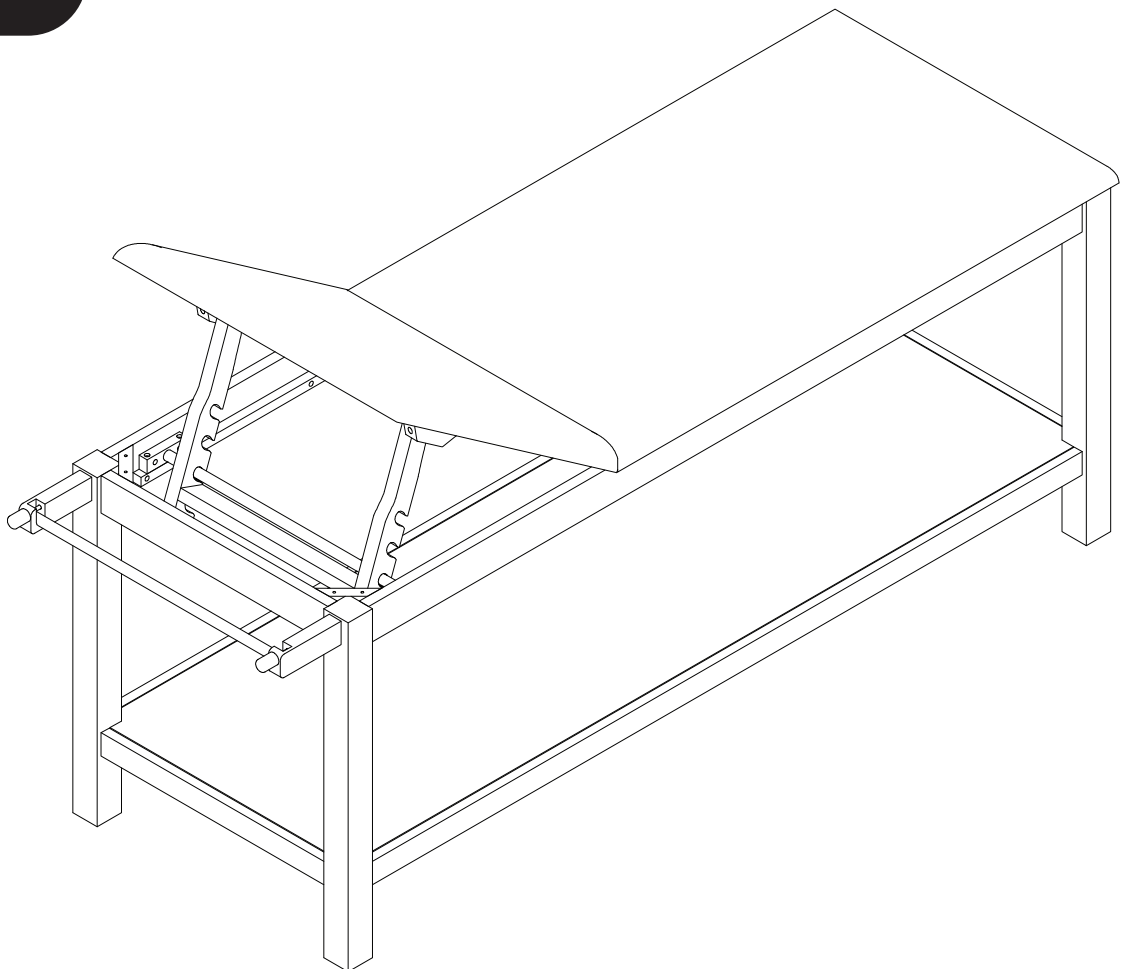
STEP 4

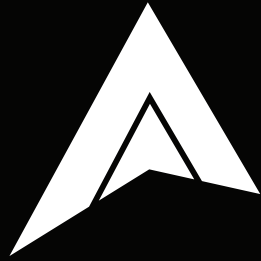


STEP 5



STEP 6





ADIR*med*

follow us on

