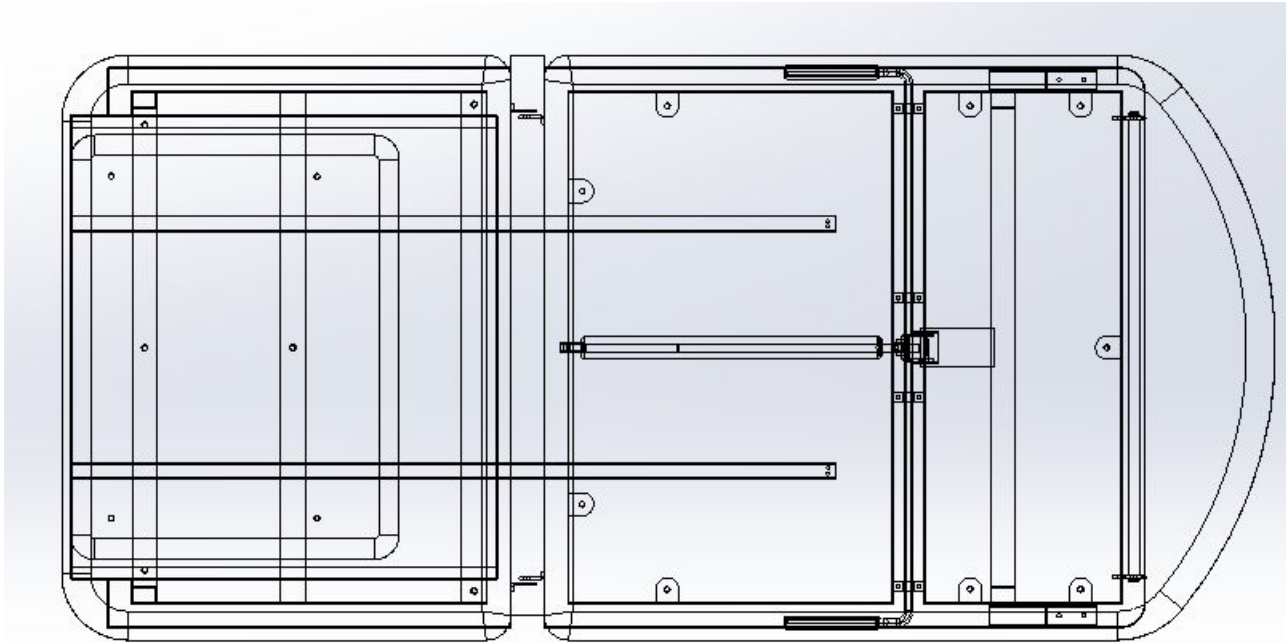


Assembly instruction

Step 1

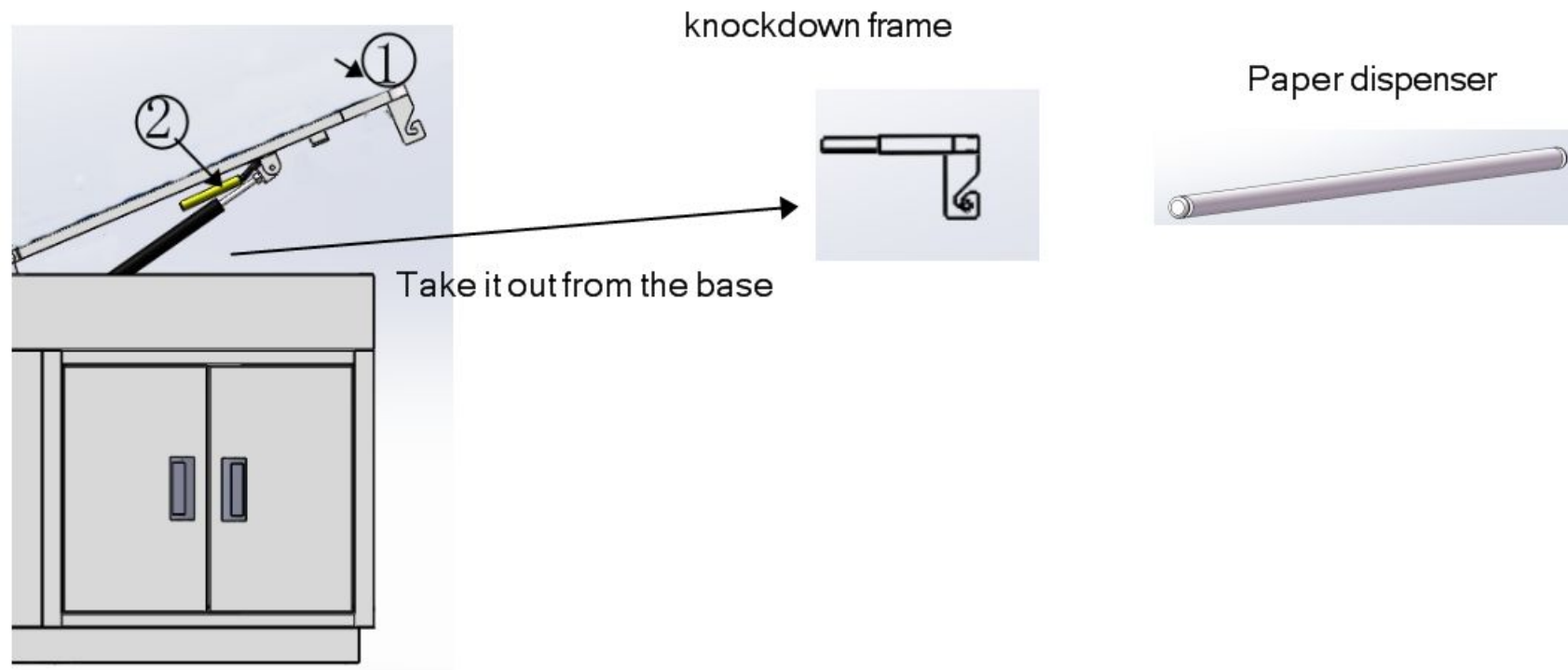
Please remove all packaging from the exam table frame.



Step 2

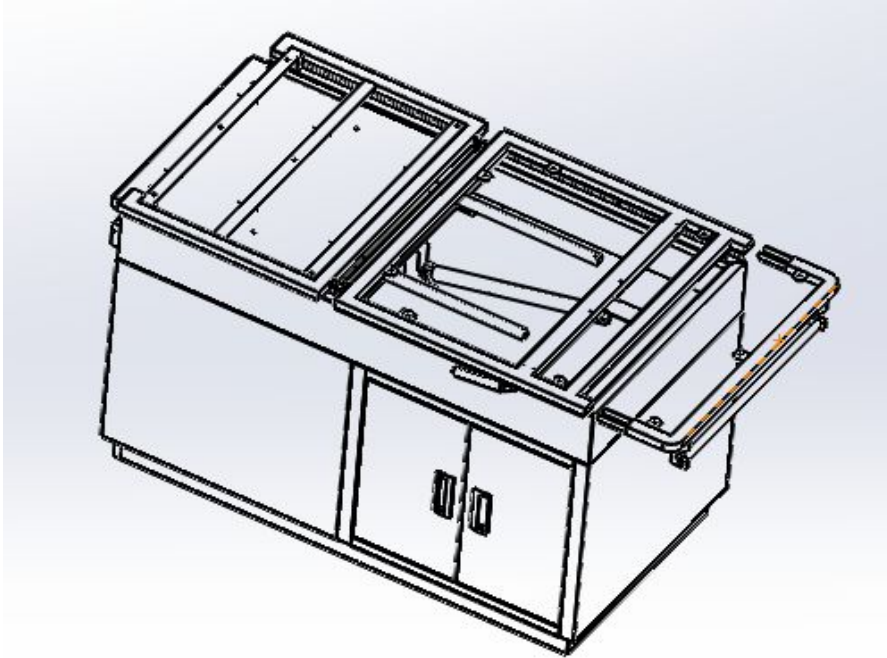
In order to avoid harming your hands, please press the backrest frame with one hand before pressing down the yellow handle beside the base frame.

When open the backrest frame, please take out the paper dispenser and knockdown frame from the teal base.



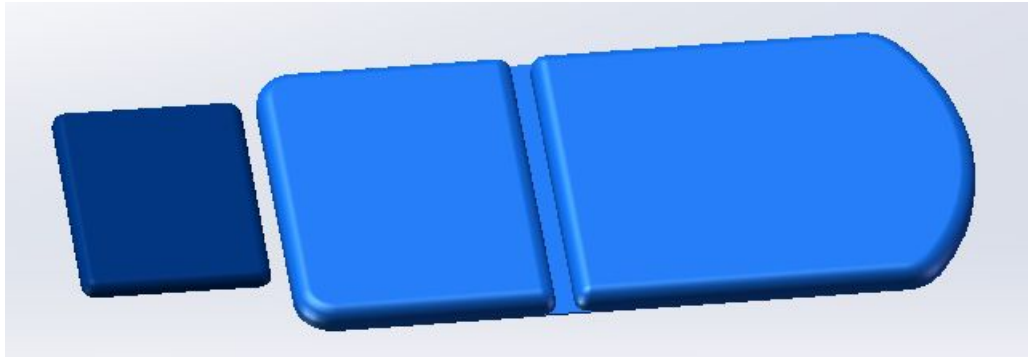
Step 3

Insert the knockdown frame slide in the tube of backrest frame.



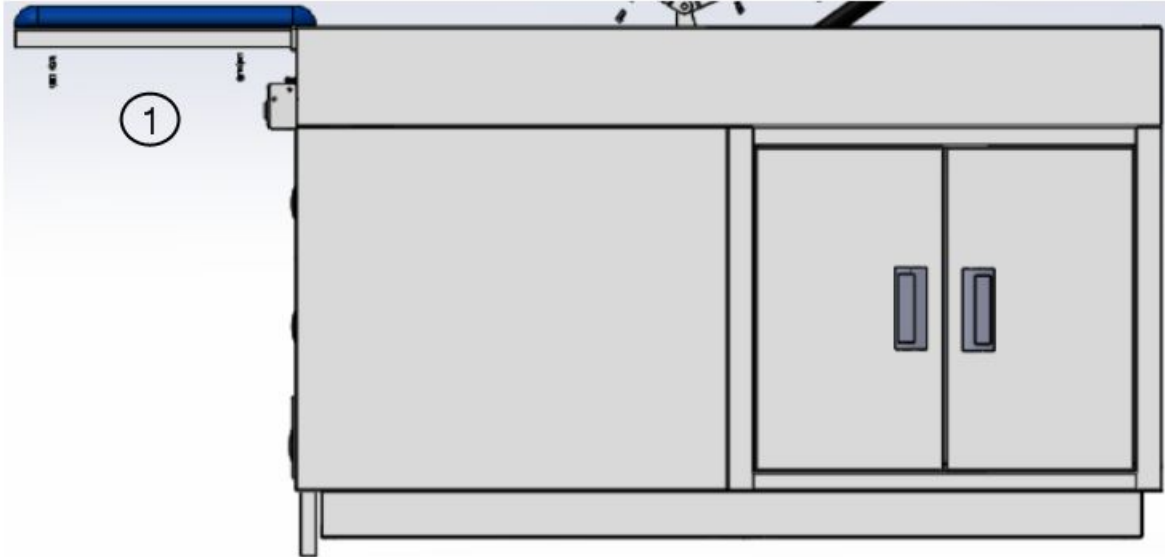
Step 4

Please remove all packaging from the mattress and pullout upholstery.



Step 5

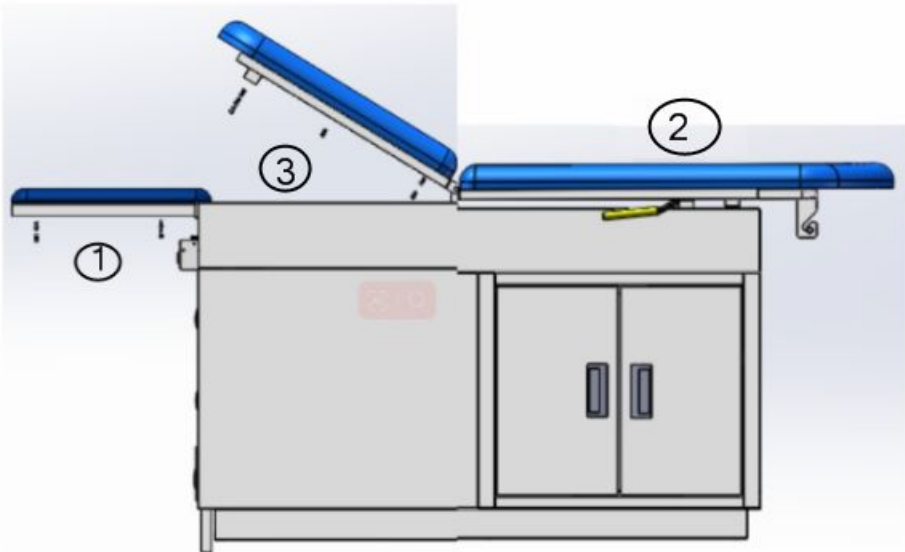
Put the pullout upholstery flat on the pullout shelf and insert 4pcs M6*12mm screws into the bottom of the pullout shelf as shown (1) and then tighten securely.



Step 6

Please make sure the backrest section of frame with the mattress to put flat on the steel base as shown(2) before assembling the knee board section mattress.

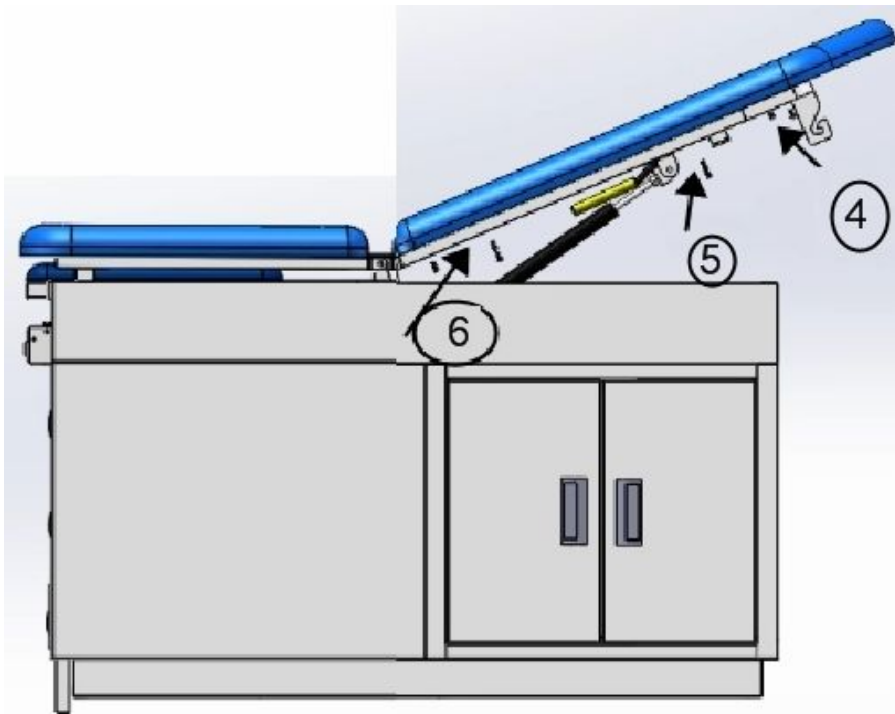
Lift up knee board frame with mattress as shown(3), and insert 6pcs M6*12mm screws and then tighten securely.



Step 7

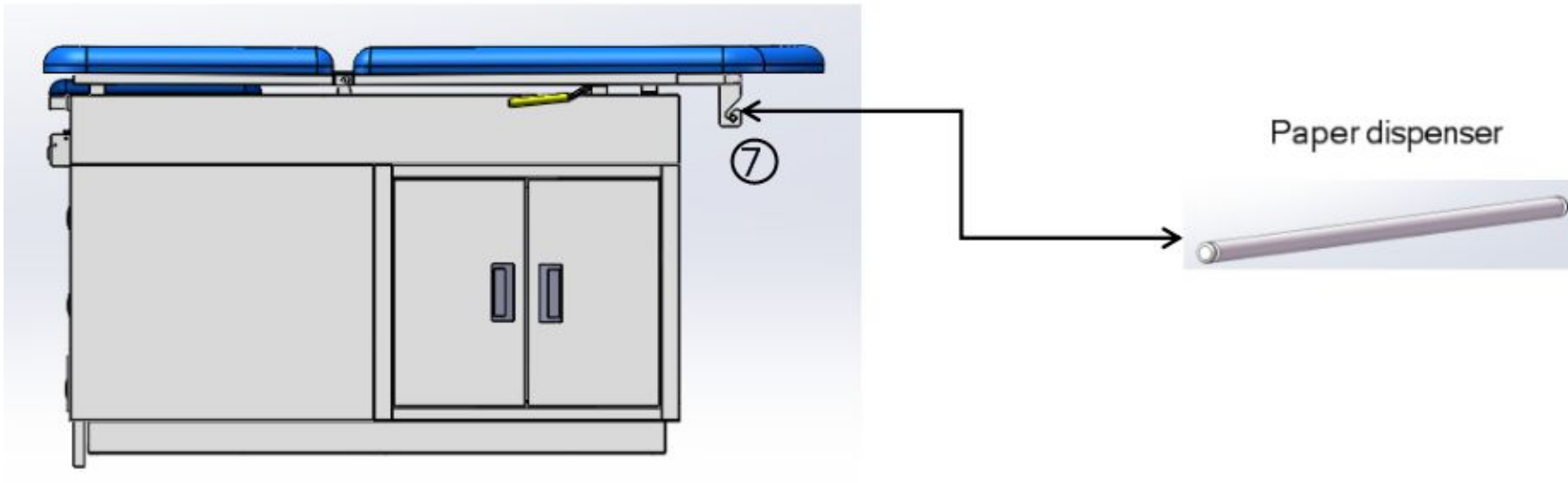
Push the pullout shelf with upholstery at the bottom of the knee board frame, and then put the knee board section flat as below picture.

Press down the yellow handle at the both side of the backrest frame to adjust the suitable angle for the backrest section, firstly to insert 3pcs M6*12mm screws for the knockdown frame part as shown(4) , secondly to insert 2pcs M6*12mm screws as shown (5), thirdly to insert 4pcs M6*12mm screws as shown (6)and then tighten securely.



Step 8

Insert the paper dispenser rack as shown (7).



Step 9

Insert the paper cutter at the bottom of the knee board section as shown (8) when the user need it.

