

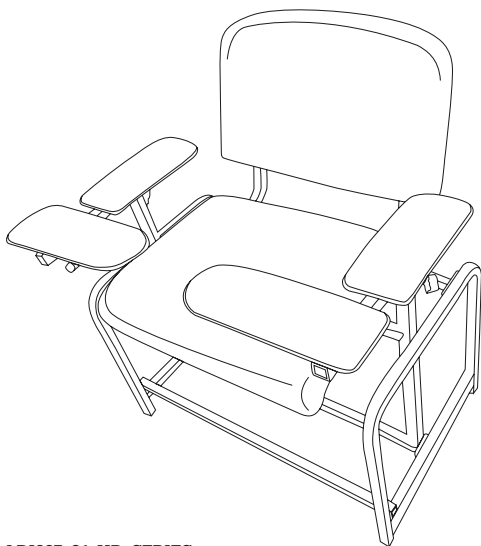


.....

Bariatric Padded Blood

Drawing Chair

.....



**ADI997-01-HD-SERIES
USER GUIDE**



Thank you for your purchase.

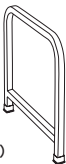
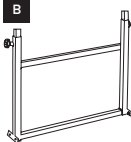
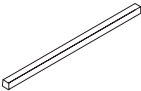
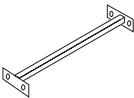
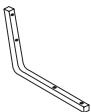
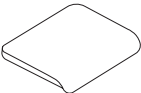
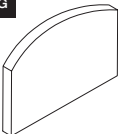
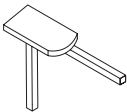
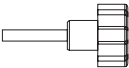
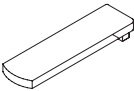
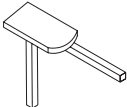
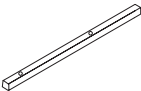
.....
**AdirMed maintains a strong practice
of ongoing development of products
and commercial research.**
.....

We recognize that starting and maintaining a medical practice is expensive. We'll help make the process cost-effective and elegant. Additionally, our team of specialists will ensure everything you need works as efficiently as possible, so you can effectively treat your clients.

Table of Contents

- 1** Parts List
- 2** Hardware List
- 3** Assembly Instructions
- 10** Notes
- 12** Limited Warranty
- 13** Disclaimer

Parts List

<p>A</p>  <p>Leg (x2)</p>	<p>B</p>  <p>Center H Support</p>	<p>C</p>  <p>Footrest</p>
<p>D</p>  <p>Seat Support</p>	<p>E</p>  <p>Backing Rails(x2)</p>	<p>F</p>  <p>Seat Cushion</p>
<p>G</p>  <p>Backrest</p>	<p>H</p>  <p>Left Arm Rest</p>	<p>I</p>  <p>Adjustment Knob (x4)</p>
<p>J</p>  <p>Front Flip Armrest (x2)</p>	<p>K</p>  <p>Right Arm Rest</p>	<p>L</p>  <p>Seat Support Bar</p>

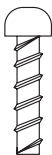
Hardware List

1



Medium Screw (x4)

2



Large Screw (x 12)

3



Small Screw (x 12)

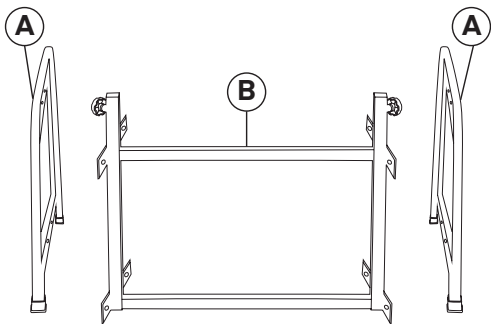
Assembly Instructions

Note:

When assembling the chair, do not over-tighten the screws.
Finish the whole assembly and then tighten firmly.

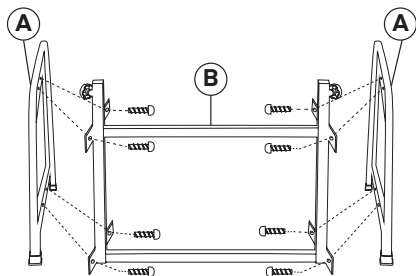
Step 1:

A. Locate both Legs (A) and the Center H Support (B).



Step 2:

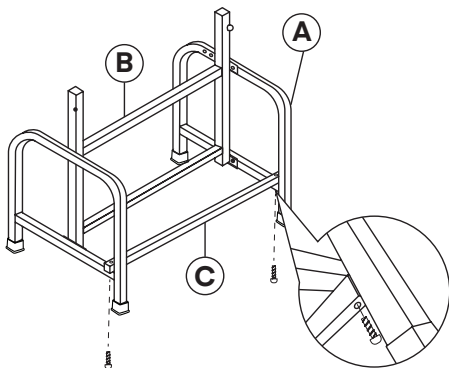
A. Attach both Legs (A) to the Center H Support (B) using eight Small Screws (3).



Step 3:

A. Locate the Footrest (C), and place it between both Legs (A), as pictured.

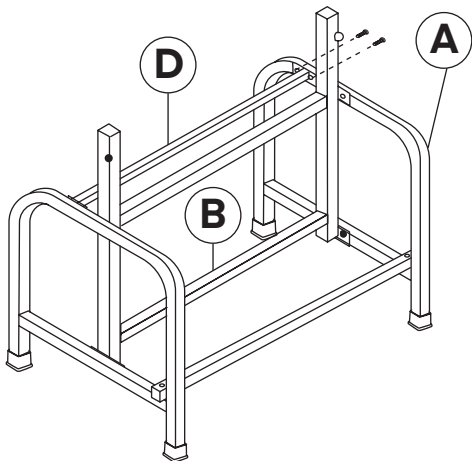
B. Secure it into place with two Large Screws (2).



Step 4:

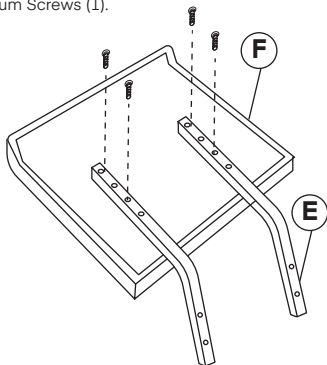
A. Locate and place the Seat Support (D) between both Legs (A), as pictured.

B. Secure into place with four Small Screws (3).



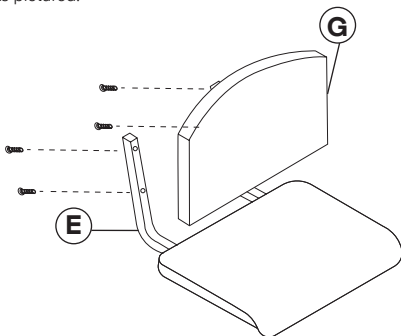
Step 5:

- A. Locate both Backing Rails (E) and the Seat Cushion (F).
B. Attach both Backing Rails (E) to the Seat Cushion (F) with four Medium Screws (1).



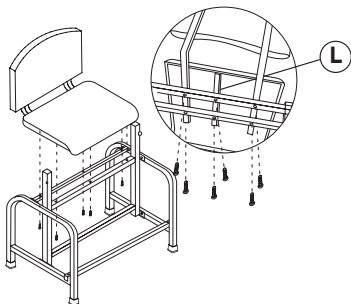
Step 6:

- A. Locate and attach the Backrest (G) with four Large Screws (2), as pictured.



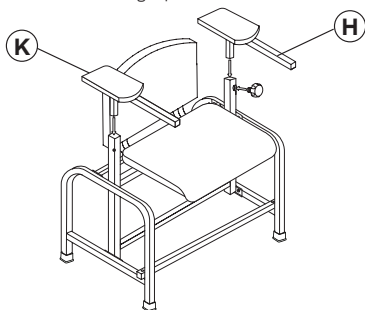
Step 7:

- A. Locate the Seat Support Bar (L), line it up with the holes on the bottom of the chair.
- B. Attached the constructed seat with the Seat Support Bar (L) to the assembled base, as pictured.
- C. Insert 6 Large Screws (2) through the Center H Support (B) and into the seat.
- D. Tighten the screws until secure.



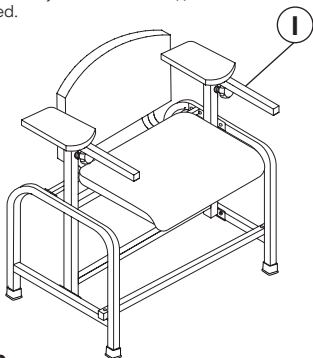
Step 8:

- A. Locate the Left Arm Rest (H) and the Right Arm Rest (K), insert it into the left and right pole.



Step 9:

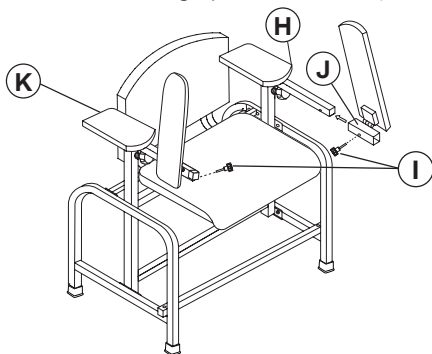
A. Insert two Adjustment Knob's (I) into the left and right pole, as pictured.



Step 10:

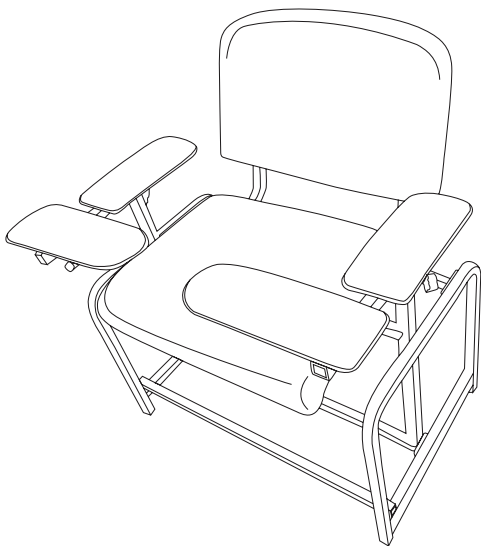
A. Locate and insert both Front Flip Arm Rest's (J) into the Left Arm Rest (H) and Right Arm Rest (K).

B. Insert the two remaining Adjustment Knobs (I), as pictured.



Step 11:

- A. Ensure all your screws are tightened and secure.
- B. Your Blood Drawing Chair is now ready to be used.



Limited Warranty

1. AdirCorp (the company) warrants to the purchaser that the product will be free from defects in workmanship and materials for a period of two (2) years from the date of purchase.
2. These warranties are not assignable or transferable to any other person.
3. Any damage to the product as a result of misuse, tampering, abuse, neglect, accident, improper installation, modification, unauthorized service, destruction, or the alteration of the serial number, or use violate of the instructions furnished by the Company will void this warranty.
4. The sole responsibility of the Company shall be limited to the repair or replacement (in its sole discretion) of any component of the product which fails to conform to this warranty at no cost to the purchaser for the period of the warranty.
5. Contact the Company directly to obtain service under this warranty. If it becomes applicable to send a defective product to the Company, a Return Authorization Number must first be obtained from the company. To obtain service under this warranty, purchaser must provide the Company with the following items (a) proof of purchase, (b) police or fire department report, (c) photographs of damaged sad, and (d) written testimonial.
6. Products shipped without prior Return Authorization and Return Authorization Number may not be accepted, and the Company will not be responsible for their disposition and/or cost of return to the owner.
7. The Company will not assume any responsibility for any loss or damage incurred in shipping. All return authorized products should include a copy of the original invoice in order that this warranty may be Honored.
8. This warranty is not an insurance policy. The Company is not responsible for any manner of damage to or theft of the Purchaser's product or it's contents
9. We recommend that the product being returned is accompanied by the sales receipt with all relevant information regarding the purchase of the item and is returned to the Company within ten (10) days of the claim date of purchase to validate this warranty.
10. Any implied warranties that the purchaser may have are limited to the duration of the warranties described above. There are no further warranties that extend or apply beyond the face hereof, and the company expressly disclaims and excludes any and all warranties of merchantability or fitness for a particular purpose. Some states do not allow limitations on how long an implied warranty lasts, so the above limitation may not apply to you.
11. Repair or replacement shall be the sole remedy for the purchaser under this warranty. The company shall not be liable for any direct, indirect, incidental or consequential damages, losses or expense arising from the use or misuse of the product. Some states do not allow the exclusion or limitations of incidental or consequential damages, so the limitation may not apply to you.
12. This warranty gives you specific legal rights, and you may also have other rights which vary from state to state.

Disclaimer

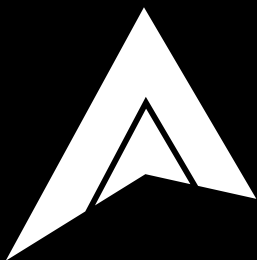
By purchasing products from AdirCorp, the user agrees as follows:

TO THE MAXIMUM EXTENT PERMITTED BY LAW, THE PRODUCTS AND INFORMATION ON THIS SITE IS PROVIDED "AS IS" AND WITH ALL FAULTS AND ALPINE INDUSTRIES. MAKES NO PROMISES, REPRESENTATIONS, OR WARRANTIES, EITHER EXPRESS, IMPLIED, STATUTORY, OR OTHERWISE, WITH RESPECT TO THE PRODUCTS AND INFORMATION, INCLUDING ITS CONDITION, ITS CONFORMITY TO ANY REPRESENTATION OR DESCRIPTION, OR THE EXISTENCE OF ANY LATENT OR PATENT DEFECTS, AND ALPINE INDUSTRIES. SPECIFICALLY DISCLAIMS ALL IMPLIED (IF ANY) WARRANTIES OF TITLE, MERCHANTABILITY, NON INFRINGEMENT, FITNESS FOR A PARTICULAR PURPOSE, ACCURACY OR COMPLETENESS, QUIET ENJOYMENT, AND QUIET POSSESSION. THE ENTIRE RISK ARISING OUT OF USE OR PERFORMANCE OF THE PRODUCTS AND INFORMATION LIES WITH USER.

TO THE MAXIMUM EXTENT PERMITTED BY LAW, IN NO EVENT SHALL ALPINE INDUSTRIES PRODUCTS OR ITS SUPPLIERS BE LIABLE FOR CONSEQUENTIAL, INCIDENTAL, SPECIAL, INDIRECT, OR EXEMPLARY DAMAGES WHATSOEVER ARISING OUT OF OR IN ANY WAY RELATING TO THIS AGREEMENT OR USER'S USE OF OR INABILITY TO USE THE PRODUCTS AND INFORMATION, OR THE PROVISION OR FAILURE TO PROVIDE SUPPORT SERVICES, INCLUDING, BUT NOT LIMITED TO, LOST PROFITS, LOSS OF CONFIDENTIAL OR OTHER INFORMATION, BUSINESS INTERRUPTION, PERSONAL INJURY, LOSS OF PRIVACY, FAILURE TO MEET ANY DUTY (INCLUDING OF GOOD FAITH OR REASONABLE CARE), NEGLIGENCE, COSTS OF PROCUREMENT OF SUBSTITUTE GOODS OR SERVICES, OR ANY OTHER CLAIM FOR PECUNIARY OR OTHER LOSS WHATSOEVER, OR FOR ANY CLAIM OR DEMAND AGAINST USER BY ANY OTHER PARTY, EVEN IF ALPINE INDUSTRIES HAS BEEN ADVISED OF THE POSSIBILITY OF SUCH DAMAGES. THESE LIMITATIONS SHALL APPLY NOTWITHSTANDING ANY FAILURE OF ESSENTIAL PURPOSE OF ANY LIMITED REMEDY.

NOTWITHSTANDING ANY DAMAGES USER MAY INCUR FOR ANY REASON WHATSOEVER (INCLUDING, WITHOUT LIMITATION, ALL DAMAGES REFERENCED ABOVE AND ALL DIRECT OR GENERAL DAMAGES), THE ENTIRE LIABILITY OF ALPINE INDUSTRIES AND ANY OF ITS SUPPLIERS UNDER ANY PROVISION OF THIS AGREEMENT AND YOUR EXCLUSIVE REMEDY FOR ALL OF THE FOREGOING SHALL BE LIMITED TO THE GREATER OF THE AMOUNT ACTUALLY PAID FOR THE PRODUCTS AND INFORMATION OR U.S. \$1. THE FOREGOING LIMITATIONS, EXCLUSIONS, AND DISCLAIMERS SHALL APPLY TO THE MAXIMUM EXTENT PERMITTED BY APPLICABLE LAW, EVEN IF ANY REMEDY FAILS ITS ESSENTIAL PURPOSE.

If any provision of this Agreement is declared invalid or unenforceable, the remaining provisions of this Agreement will remain in effect. AdirCorp has the right to modify these terms and conditions at any time.



ADI997-01-HD-SERIES

© 2022 AdirCorp
adircorp.com