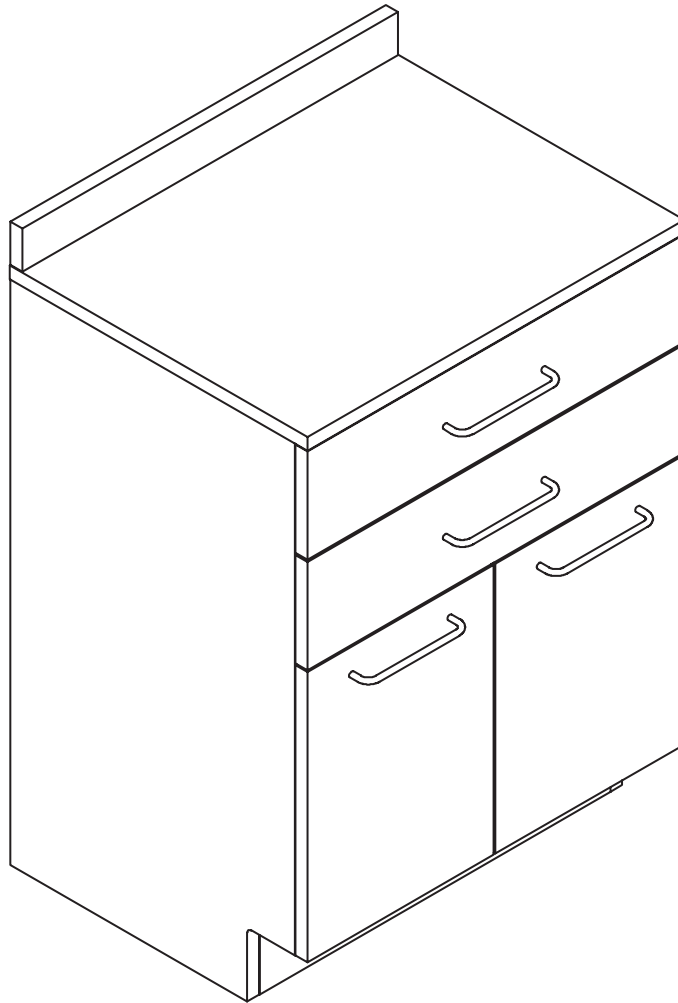


.....

24" MEDICAL CLINIC CABINET

.....



USER GUIDE

SKU: ADIME902-24-GRY



Thank you for your purchase.



Viva Comfort maintains a strong practice of ongoing development of products and commercial research.

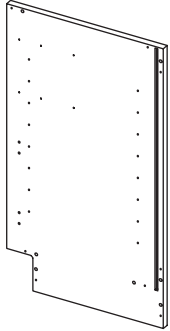
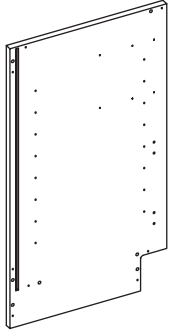
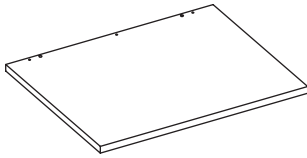
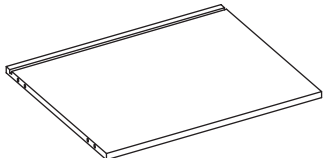
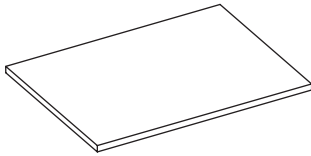
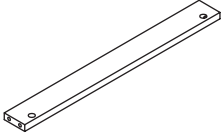
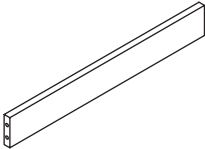
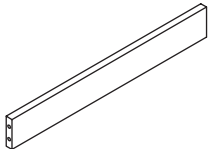
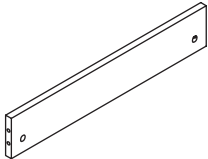
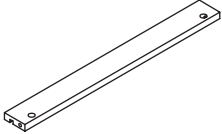
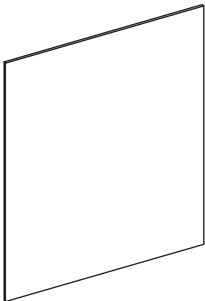
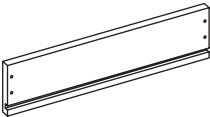
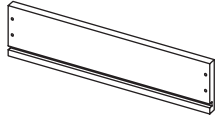
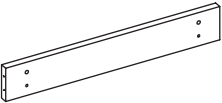
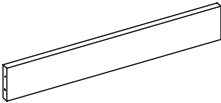
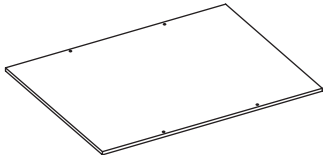


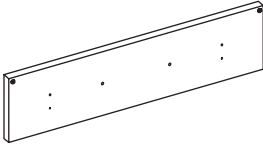
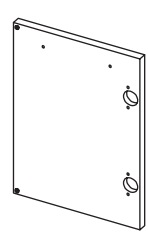
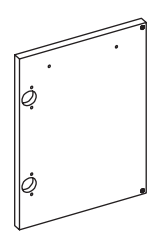
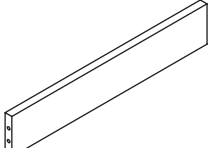
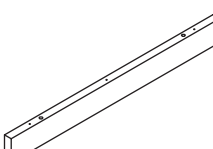
We recognize that starting and maintaining a medical practice is expensive. We'll help make the process cost-effective and elegant. Additionally, our team of specialists will ensure everything you need works as efficiently as possible, so you can effectively treat your clients.

Table of Contents

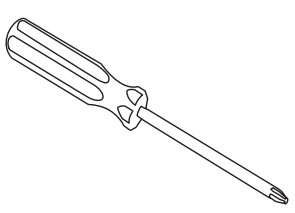
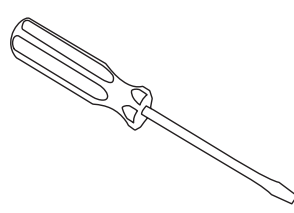
- 2** Parts List
- 3** Tools Needed (But Not Included)
- 4** Hardware List
- 5** Assembly Instructions
- 17** Warranty

Parts List


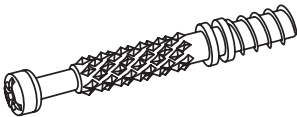
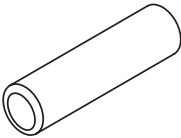
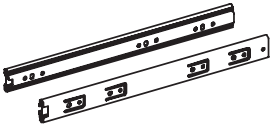
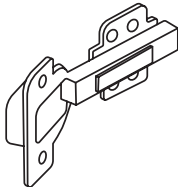
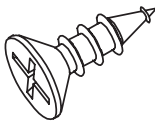
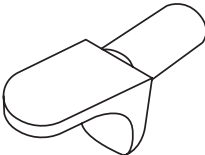


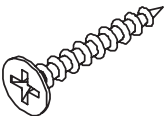
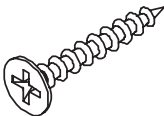
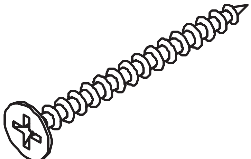



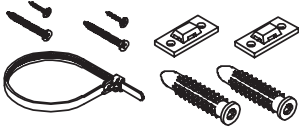
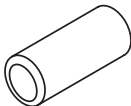
<p>1</p>  <p>Left Panel</p>	<p>2</p>  <p>Right Panel</p>	<p>3</p>  <p>Top Panel</p>	<p>4</p>  <p>Bottom Panel</p>
<p>5</p>  <p>Removable Shelf</p>	<p>6</p>  <p>Top Front Rail</p>	<p>7</p>  <p>Center Back Rail 1</p>	<p>8</p>  <p>Center Back Rail 2</p>
<p>9</p>  <p>Bottom Back Rail</p>	<p>10</p>  <p>Top Back Rail</p>	<p>11</p>  <p>Back Panel</p>	<p>12</p>  <p>Drawer's Left Side (x2)</p>
<p>13</p>  <p>Drawer's Right Side (x2)</p>	<p>14</p>  <p>Drawer's Front (x2)</p>	<p>15</p>  <p>Drawer's Back (x2)</p>	<p>16</p>  <p>Drawer's Bottom (x2)</p>

<p>17</p>  <p>Drawer's Face (x2)</p>	<p>18</p>  <p>Left Door</p>	<p>19</p>  <p>Right Door</p>	<p>20</p>  <p>Toe Kick</p>
<p>21</p>  <p>Top Filler</p>			

Tools Needed (But Not Included)

 <p>Philips Screwdriver</p>	 <p>Flathead Screwdriver</p>
--	---

Hardware List

<p>A</p>  <p>Ø15*13mm Cam Lock (x20)</p>	<p>B</p>  <p>Ø8*42mm Cam Lock Bolt (x20)</p>	<p>C</p>  <p>Ø8x30mm Wooden Dowel (x22)</p>	<p>D</p>  <p>Ball Bearing Sliders (x2 Sets)</p>
<p>E</p>  <p>Hinge (x4) Ø4x15mm Screw (x24)</p>	<p>F</p>  <p>Ø4x15mm Wooden Screw (x20)</p>	<p>G</p>  <p>Shelf Support (x4)</p>	<p>H</p>  <p>For Drawer's Face Handle 1 (x2) Ø4x22mm Screw (x4)</p>
<p>I</p>  <p>For Door Handle 2 (x2) Ø4x22mm Screw (x4)</p>	<p>J</p>  <p>For Drawer's Face Ø4x30mm Wooden Screw (x8)</p>	<p>K</p>  <p>For Bottom Drawer Ø4x30mm Wooden Screw (x8)</p>	<p>L</p>  <p>Ø4x40mm Wooden Screw (x19)</p>
<p>M</p>  <p>Sticker 1 (x20)</p>	<p>N</p>  <p>Sticker 2 (x20)</p>	<p>O</p>  <p>Plastic Nail (x4)</p>	<p>P</p>  <p>Antitip (x2)</p>
<p>Q</p>  <p>Ø8x20 Wooden Dowel (x4)</p>			

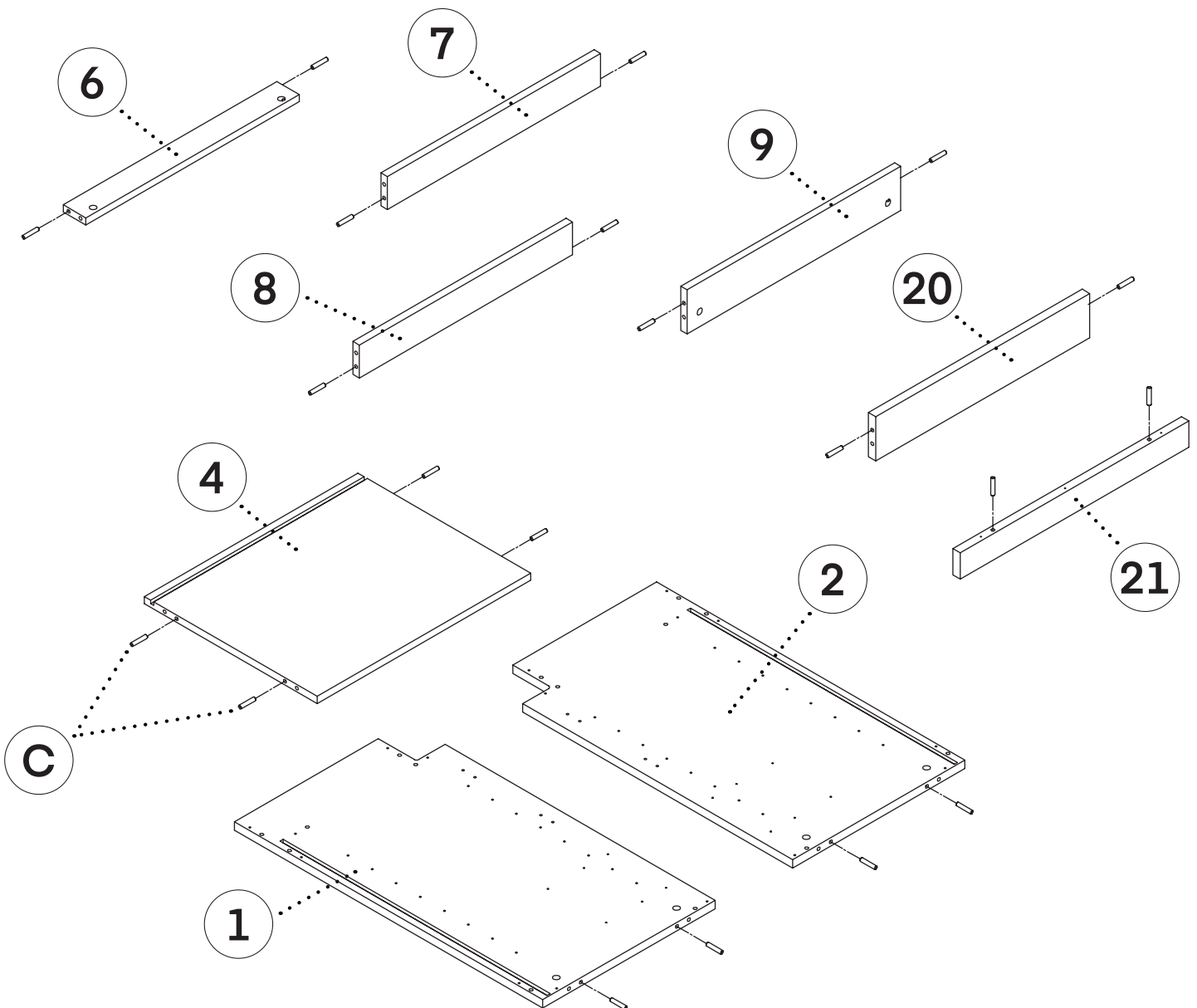
Assembly Instructions

NOTE:

- Before starting, ensure you have an open, clean area to assemble your cabinet.
- Ensure you have all the necessary parts and hardware listed above.
- We highly recommend hiring a professional contractor to assemble and install your cabinet(s).

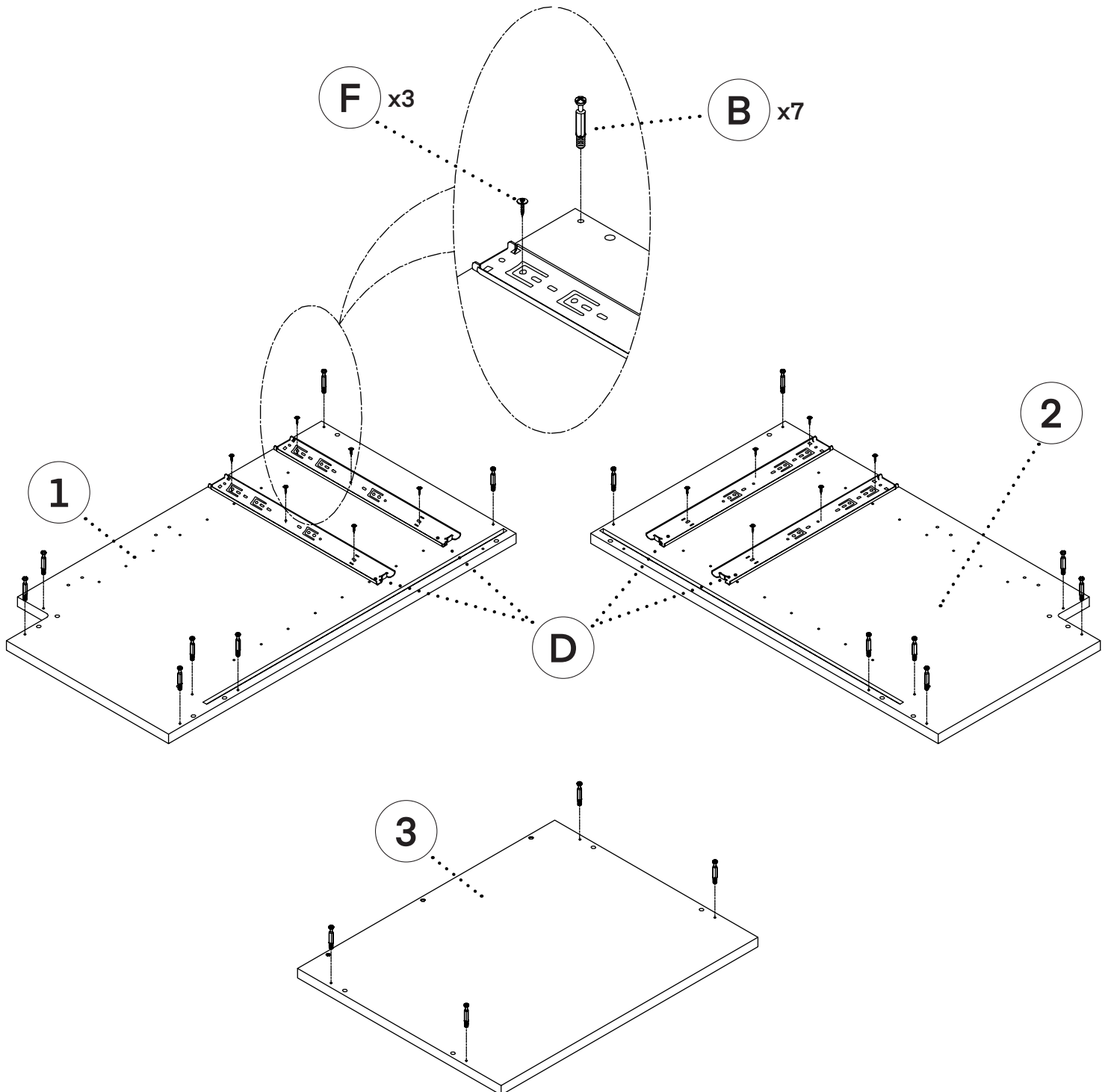
Step 1:

- A. Insert Wooden Dowels (C) into to the Left Panel (1), Right Panel (2), Bottom Panel (4), Top Front Rail (6), Center Back Rail 1 (7), Center Back Rail 2 (8), Bottom Back Rail (9), Toe Kick (20), and Top Filler (21), as pictured below.



Step 2:

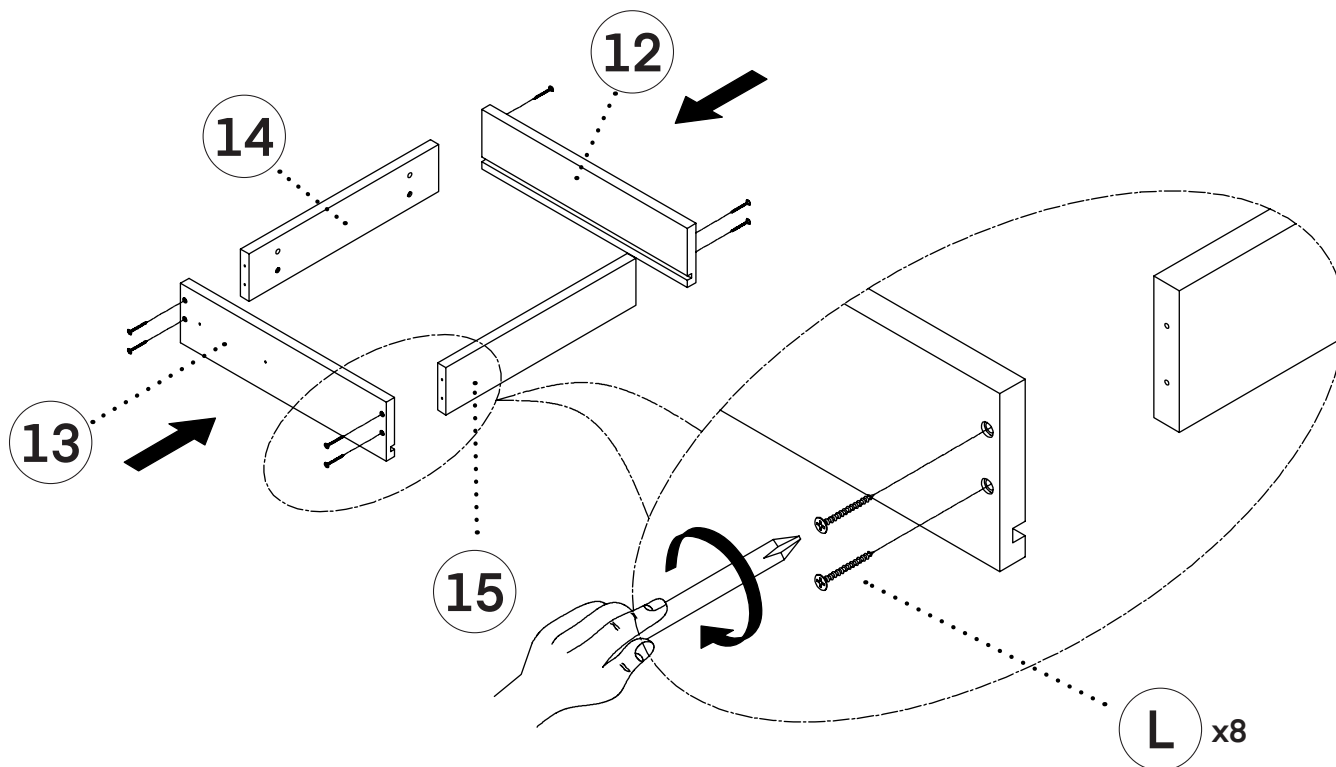
- A.** Insert $\text{Ø}8 \times 42\text{mm}$ Cam Lock Bolts (B) into the Left Panel (1), Right Panel (2), and Top Panel (3), as pictured.
- You will need seven Cam Lock Bolts (B) for the Left Panel (1) and Right Panel (2).
 - The Top Panel (3) requires four Cam Lock Bolts (B).
- B.** Assemble the Ball Bearing Sliders (D) to the Left Panel (1), and Right Panel (2) using three $\text{Ø}4 \times 15\text{mm}$ Wooden Screw (F) per slider.



Step 3:

A. Assemble the Drawer's Left Side (12), and the Drawer's Right Side (13) to the Drawer's Front (14), and Drawer's Back (15) using a total of eight Ø4x40 mm Wooden Screws (L).

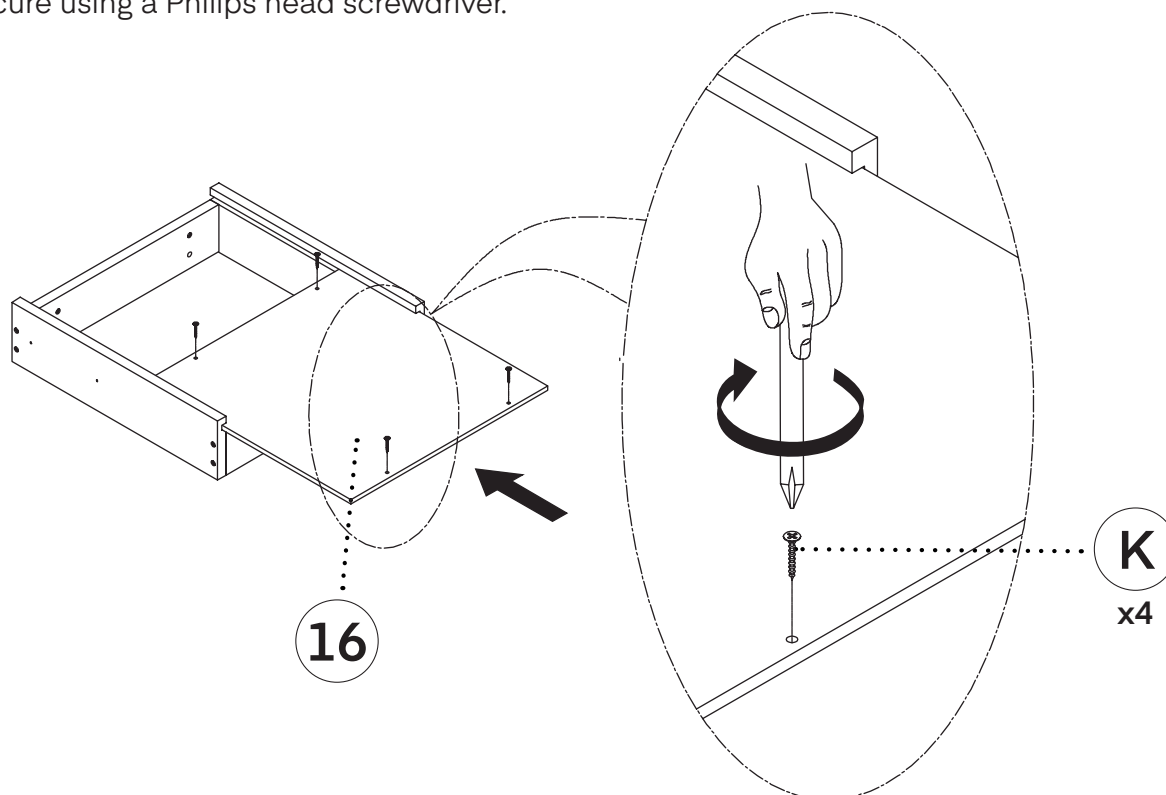
B. Secure using a Philips head screwdriver.



Step 4:

A. Assemble the Drawer's Bottom (16) using four Ø4x30 mm Wooden Screws (K), as pictured below.

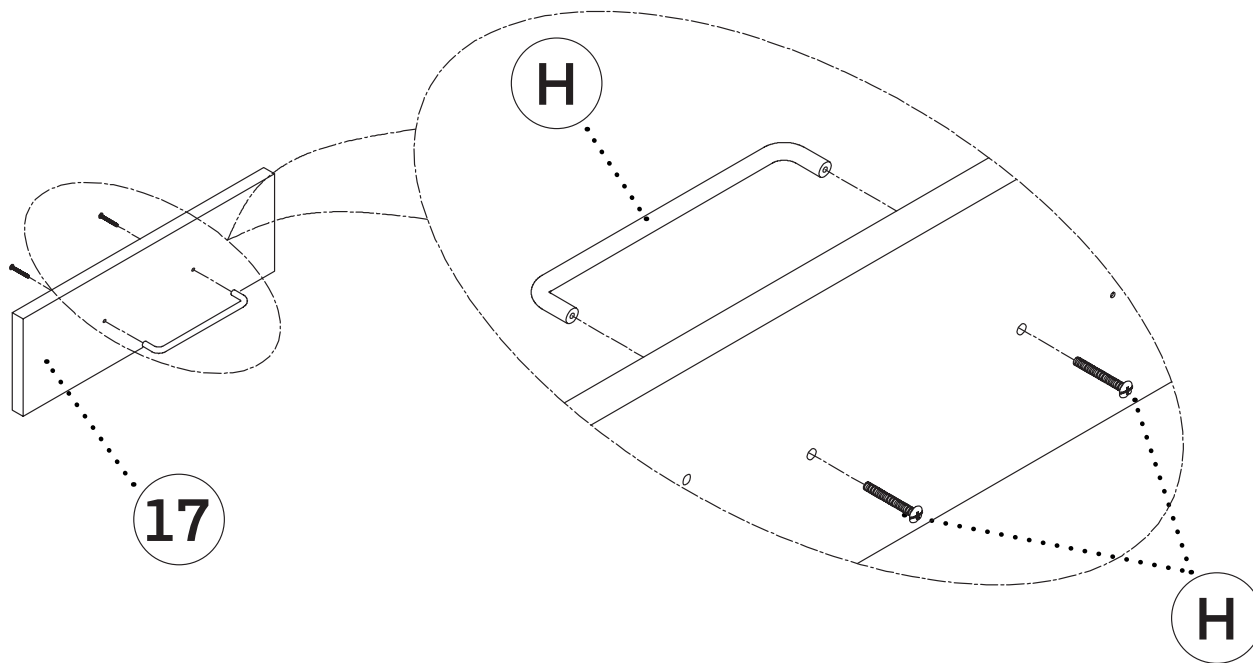
B. Secure using a Philips head screwdriver.



Step 5:

A. Assemble the Handle (H) to the Drawer Face (17) using the two included screws.

B. Fully tighten with a Philips head screwdriver.

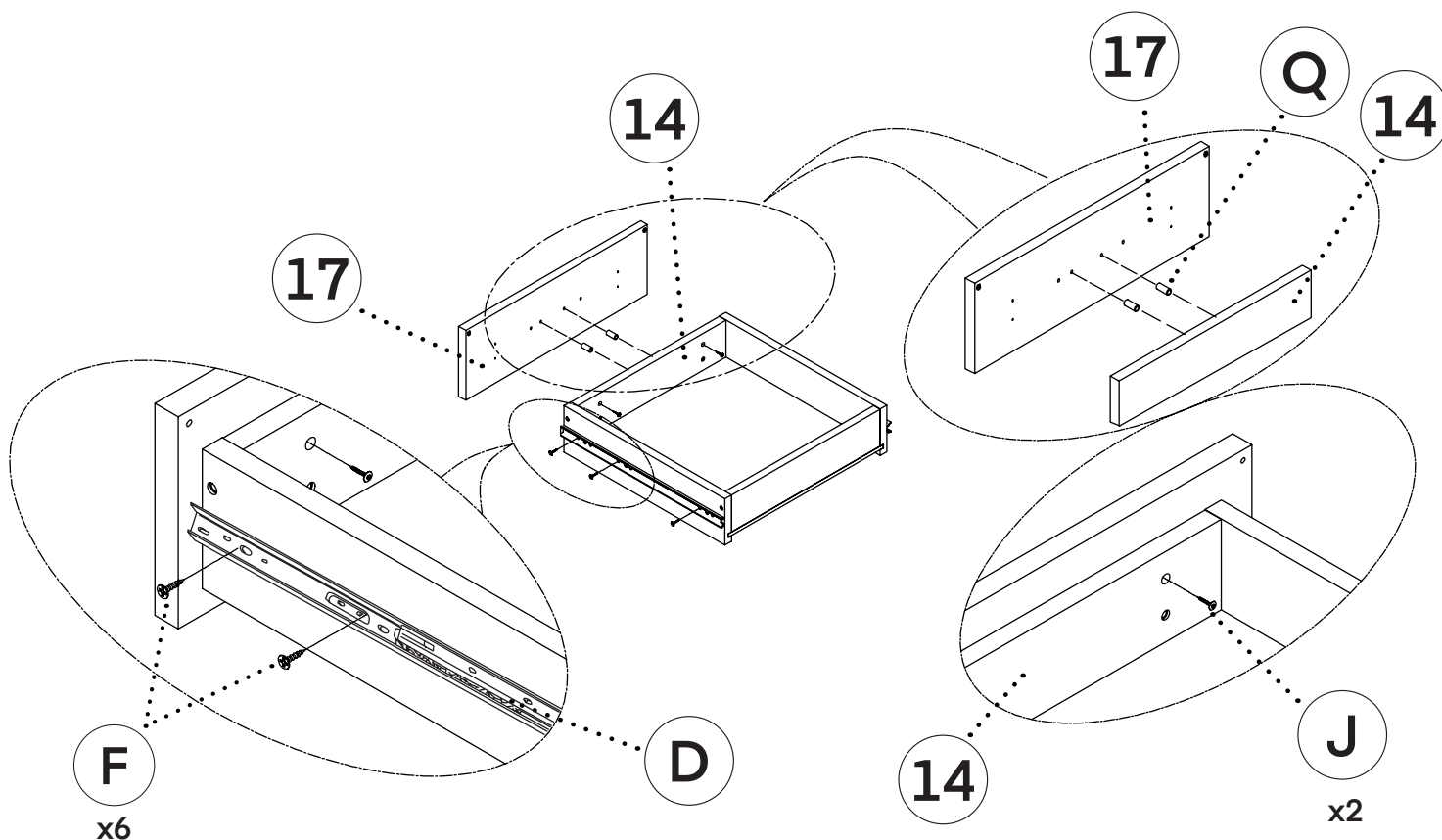


Step 6:

A. Assemble the Ball Bearing Sliders (D) to the drawer using three $\text{\O}4 \times 15\text{mm}$ Wooden Screws (F) per slider.

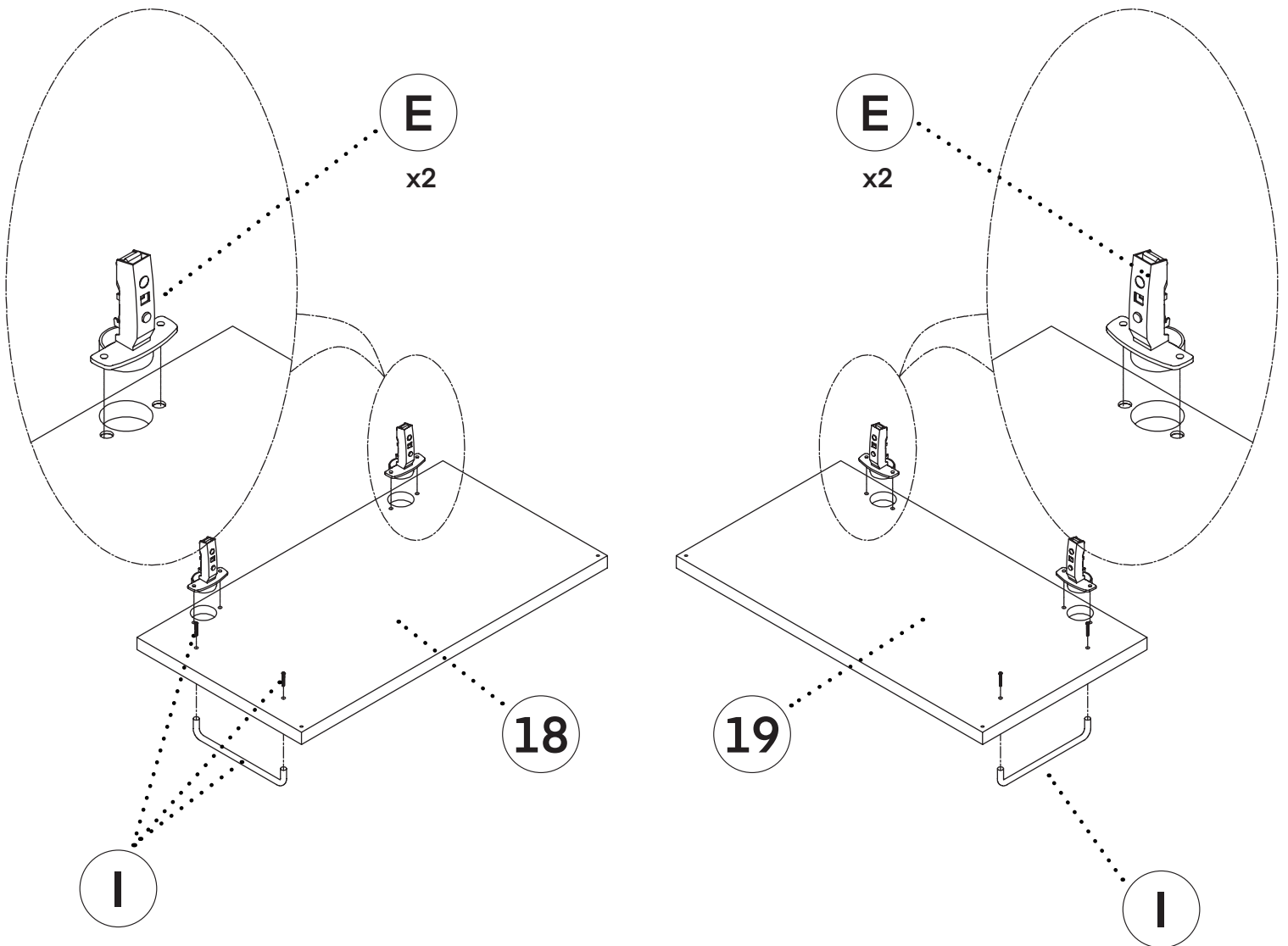
B. Assemble the Drawer Front (14) to the Drawer Face (17) by inserting two $\text{\O}4 \times 30\text{mm}$ Wooden Screws (J) and Wooden Dowel $\text{\O}8 \times 20\text{mm}$ (Q) into the two top holes on the Drawer Front (14), as pictured below.

C. Fully tighten with a Philips head screwdriver.



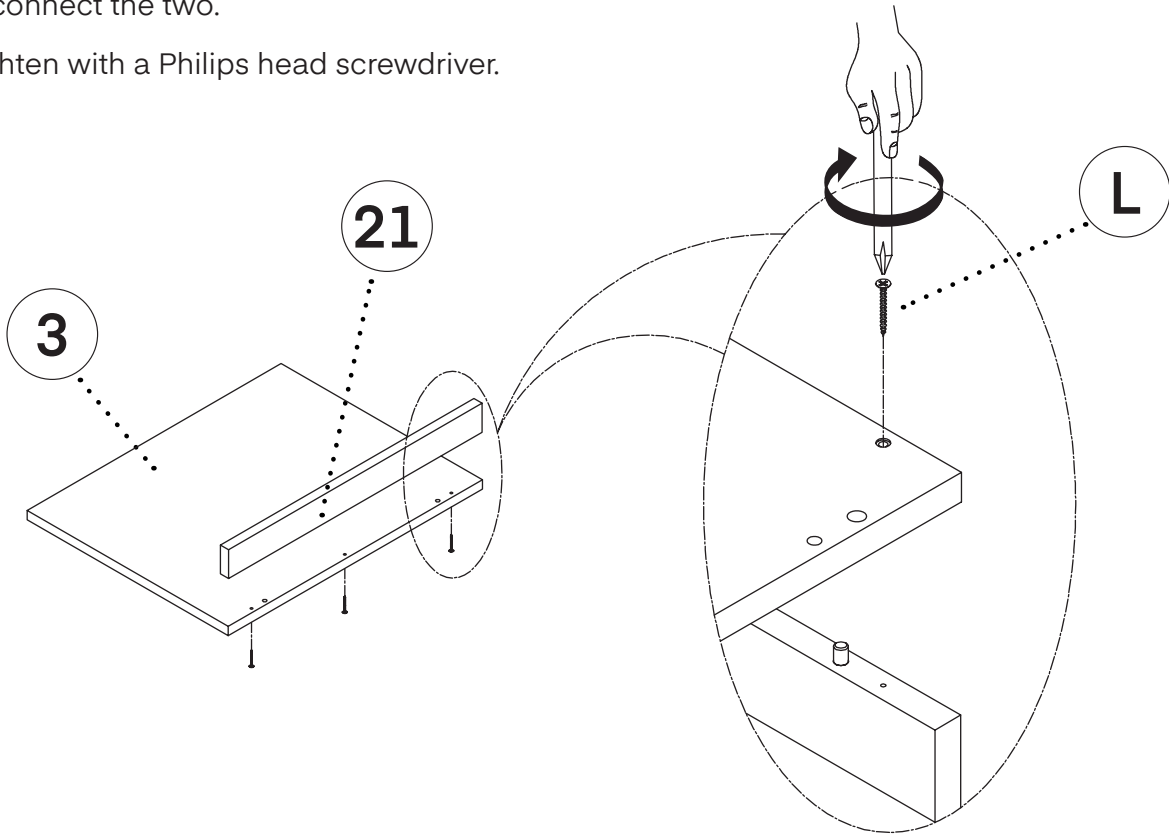
Step 7:

- A.** Assemble the Hinge (E) to the Left Door (18) and Right Door (19) using two $\text{\O}4 \times 15$ mm Wooden Screws of Hinge (E).
- B.** Attach the Handle (I) to the Left Door (18), and the Right Door (19) using the included screws.
- C.** Secure using a Philips head screwdriver.



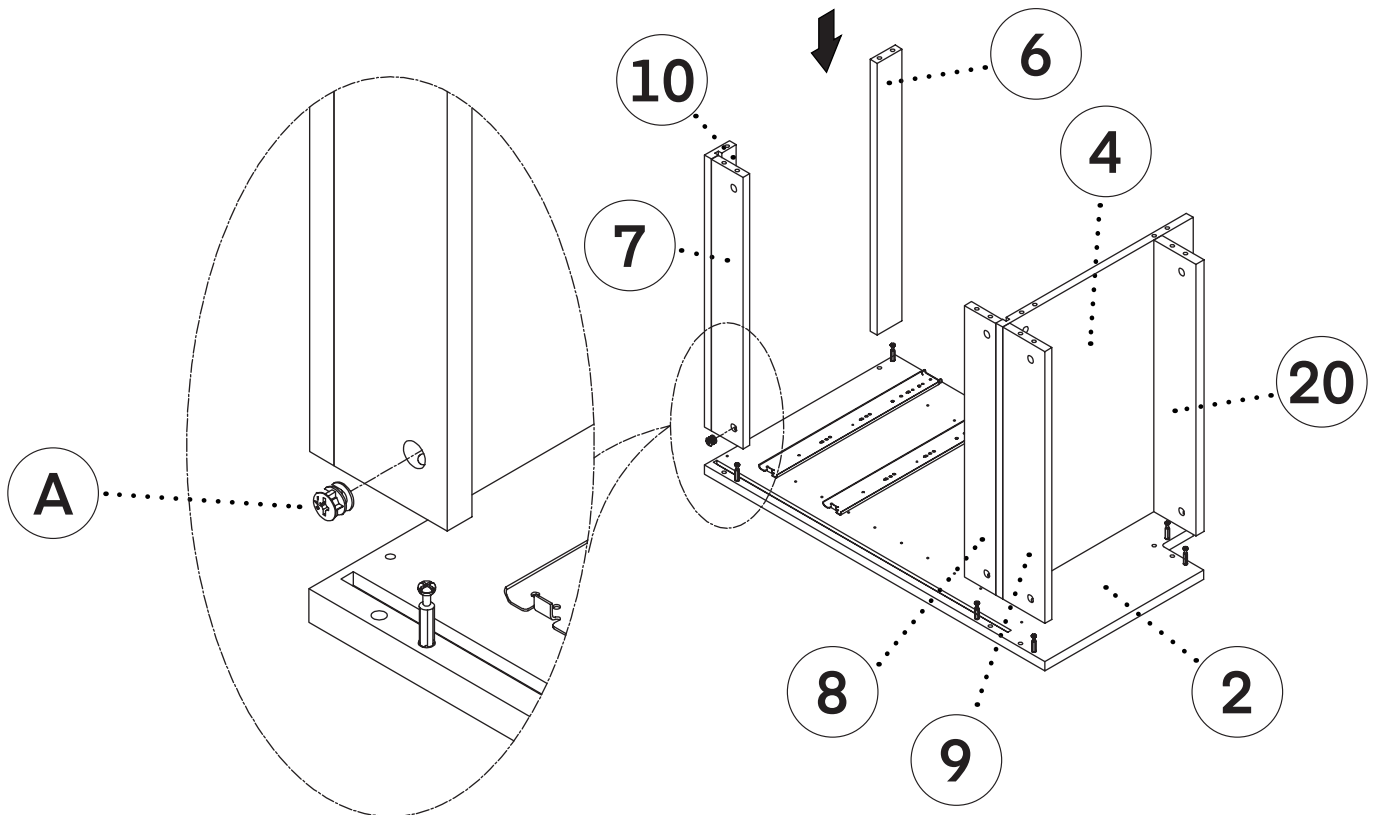
Step 8:

- A.** Locate and insert three Ø4x40mm Wooden Screws (L) under the Top Panel (3) and into the Top Filler (21) to connect the two.
- B.** Fully tighten with a Philips head screwdriver.



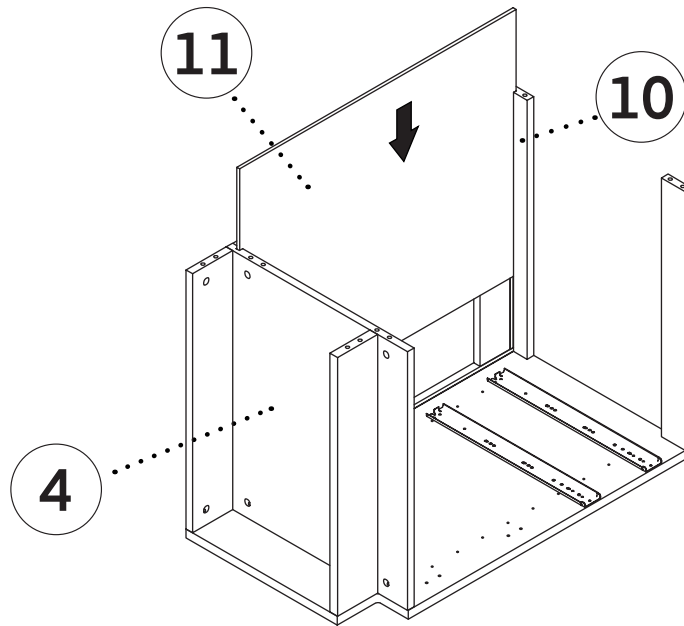
Step 9:

- A.** Attach the Right Panel (2) to the Bottom Panel (4), Top Front Rail (6), Center Back Rail 1 (7), Center Back Rail 2 (8), Bottom Back Rail (9), Toe Kick (20) and Top Back Rail (10) using Ø15*13mm Cam Locks (A).
- B.** Fully tighten with a Philips head screwdriver to lock the bolts in place.



Step 10:

A. Slide the Back Panel (11) in between the crevices on the Top Back Rail (10) and Bottom Panel (4).

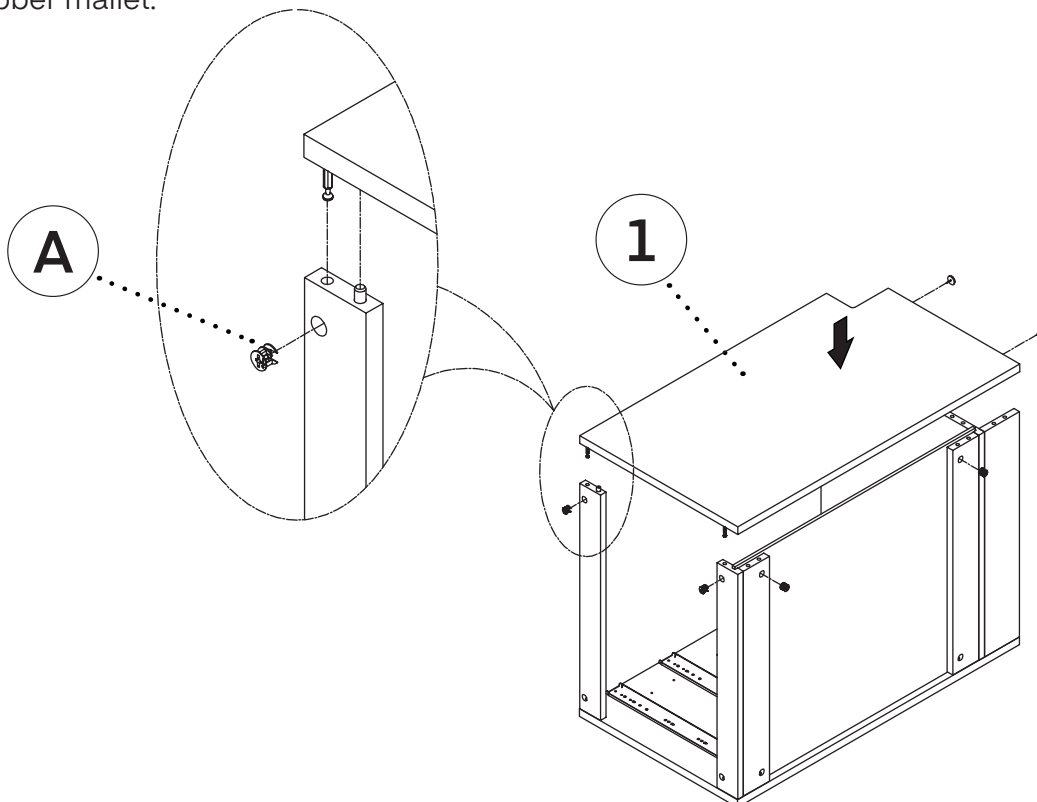


Step 11:

A. Locate the Left Panel (1) and place it on top of the assembled structure from Step 10.

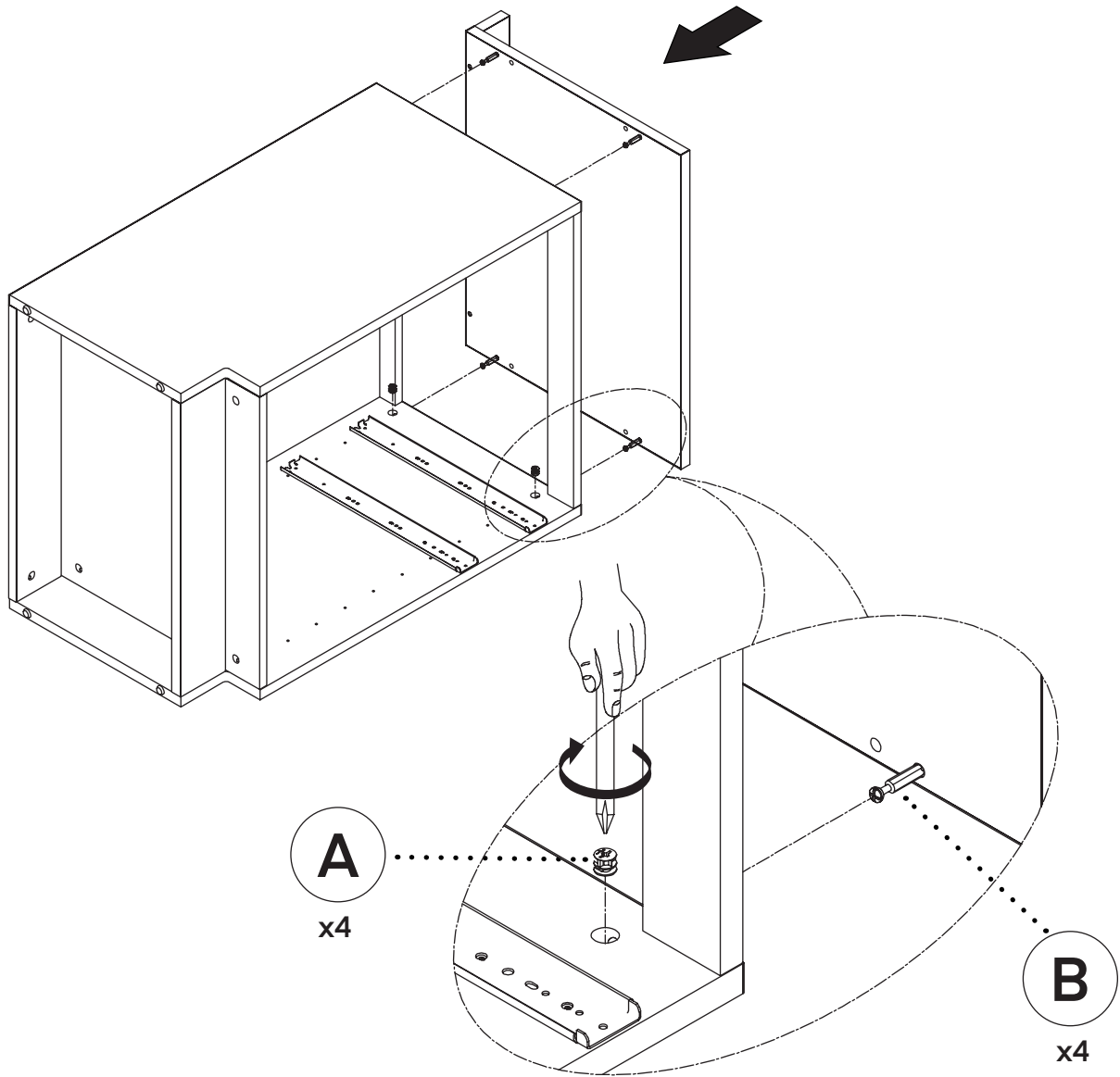
B. Insert $\varnothing 15 \times 13$ mm Cam Locks (A) into the applicable holes on the Left Panel (1), as pictured.

C. Insert four Plastic Nails (O) into the bottom of the Left Panel (1) and the Right Panel (2) by tapping them with a rubber mallet.



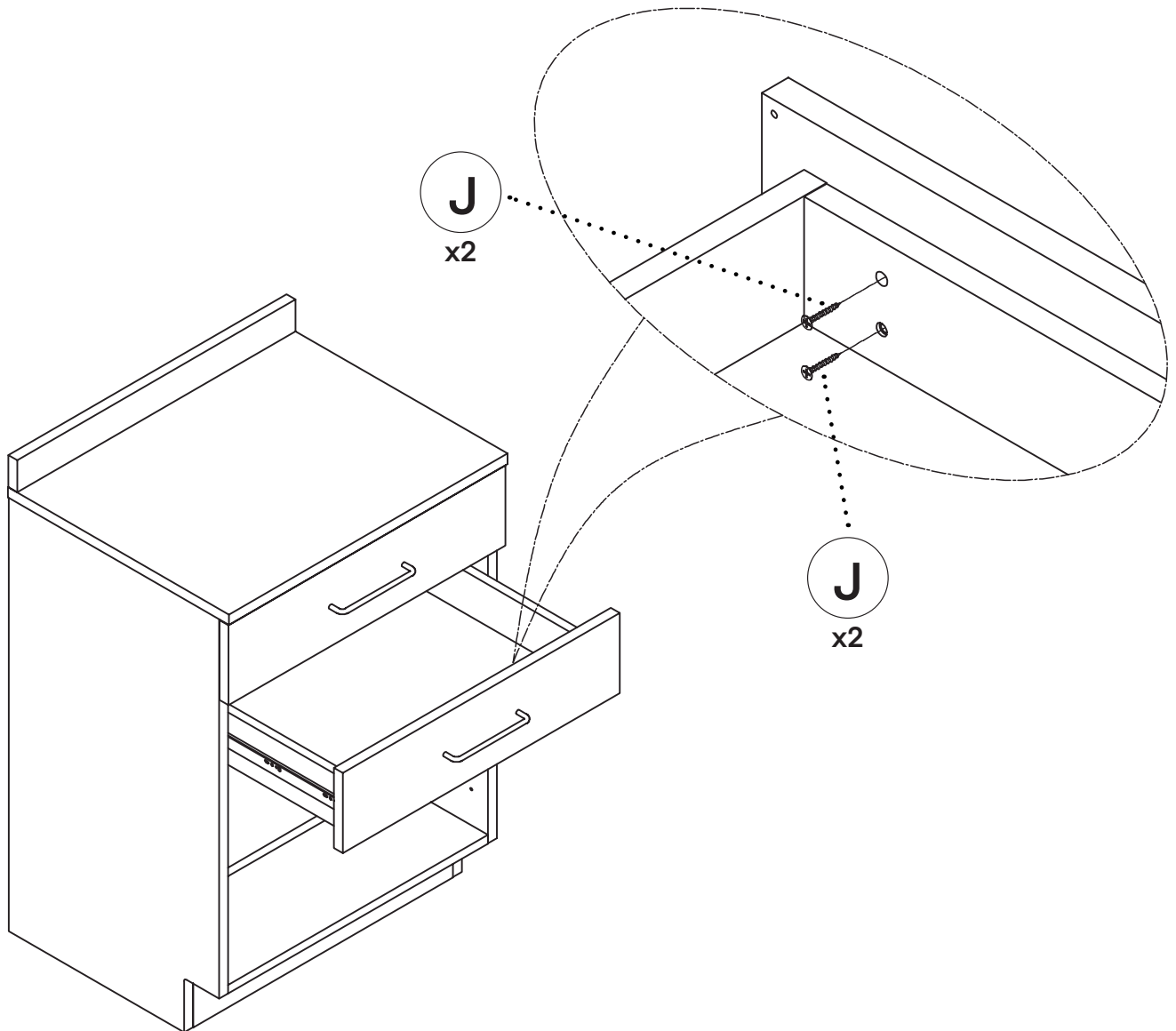
Step 12:

- A.** Place the Top Panel (3) on top of the installed hardware located on the assembled structure from Step 11.
- B.** Insert four $\text{Ø}15 \times 13\text{mm}$ Cam Locks (A) into the accompanying holes located on the side panels and turn them clockwise to lock the bolts in place.
- C.** Apply Sticker's 2 (N) to cover the $\text{Ø}15 \times 13\text{mm}$ Cam Locks (A).



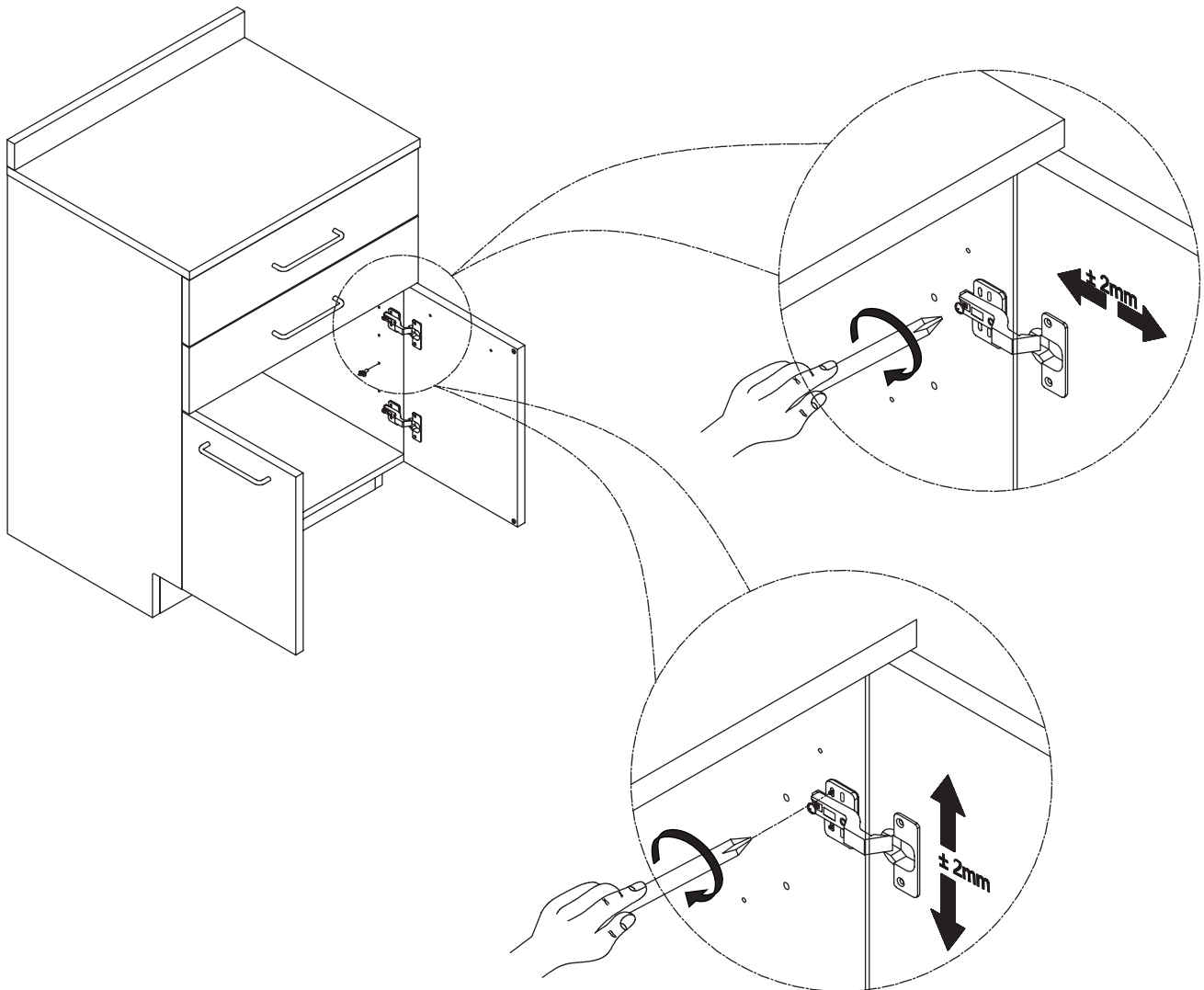
Step 13:

- A.** Insert the assembled drawers by sliding them onto the sliders.
- B.** Should the drawers not fit properly, adjust them by doing the following:
 - a.** Loosen the upper $\text{\O}4*30\text{mm}$ Wooden Screws (J) on the Drawer Faces (17)
 - b.** Move the drawer's face up, down, left, and right until it fits.
 - c.** Tighten the upper $\text{\O}4*30\text{mm}$ Wooden Screws (J).
 - d.** Insert and tighten the lower $\text{\O}4*30\text{mm}$ Wooden Screws (J).
- C.** Use Sticker's 1 (M) to cover the $\text{\O}4*30\text{mm}$ Wooden Screws (J).



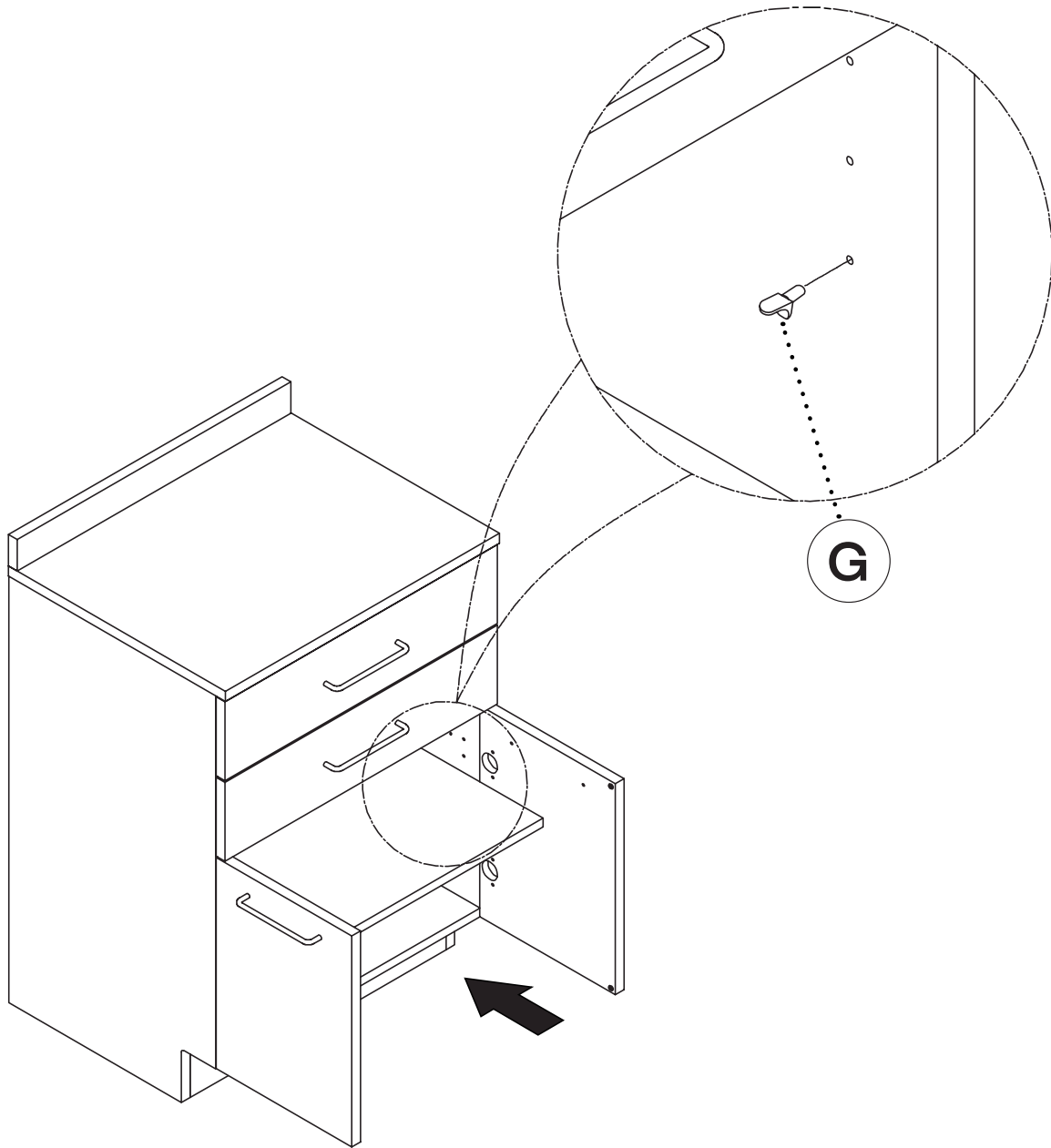
Step 14:

A. If the door isn't lining up, adjust the screw on the Hinges (E) by loosening or tightening it until the door sits straight, as pictured below.



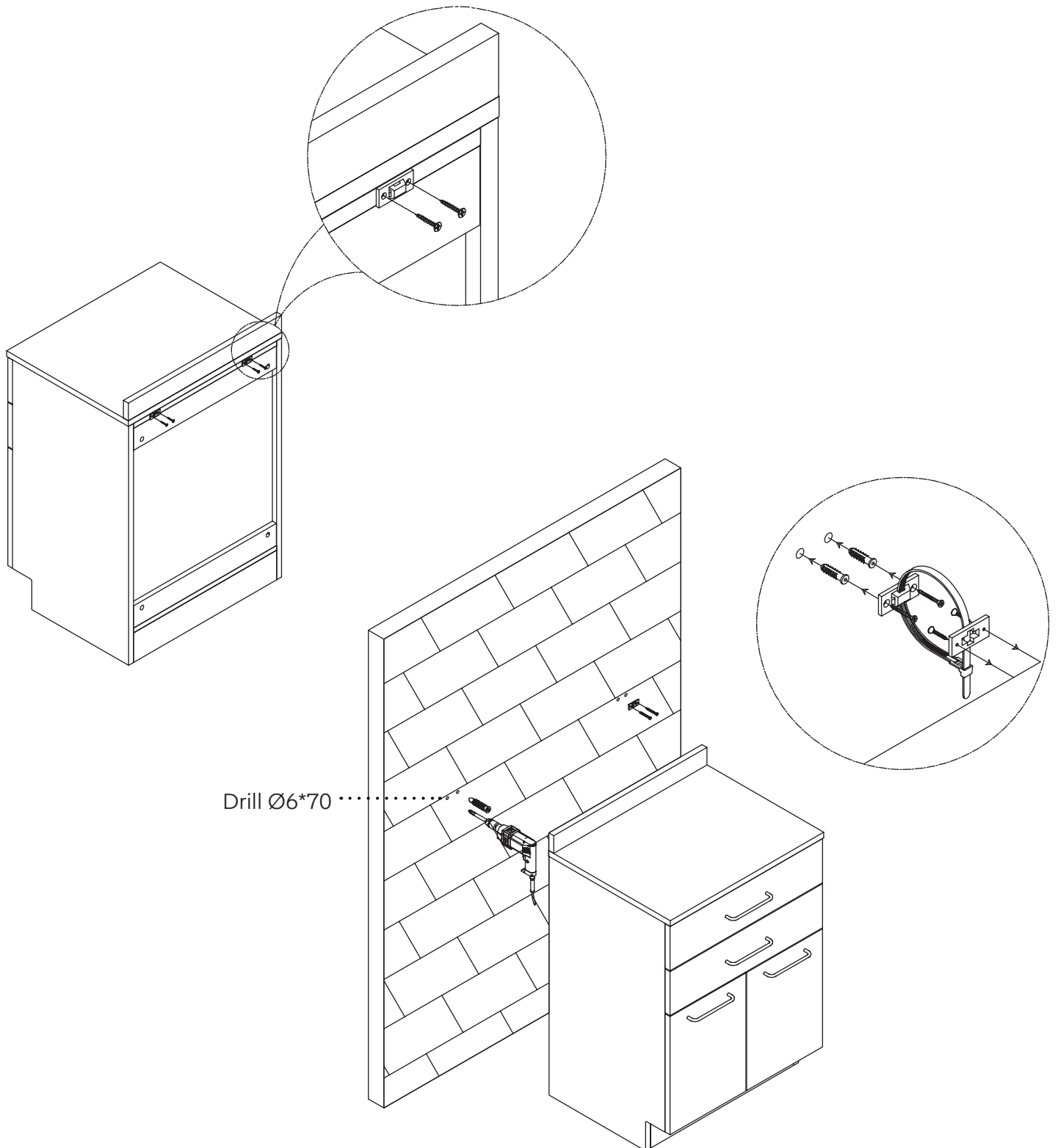
Step 15:

- A.** Assemble the Shelf Support (G) to the Left Panel (1) and Right Panel (2).
- B.** Put the Removable Shelf 1 (5) onto the Shelf Supports (G), as pictured.
- C.** Use Sticker's 1 (M) to cover any remaining exposed holes.



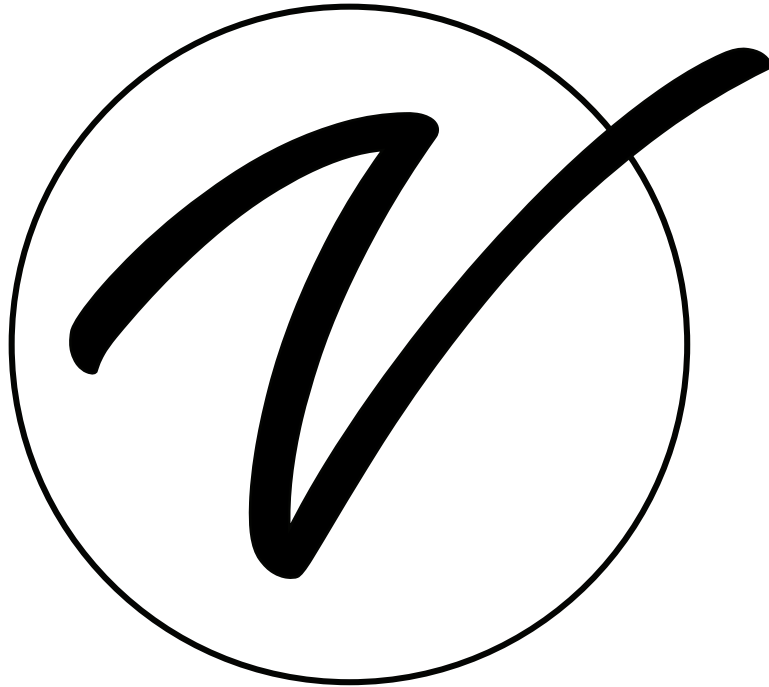
Step 16:

- A.** Should you choose to anchor your cabinet to the wall, we've included four Plastic Anchors (P) and spare screws for you, but it is not required.
- B.** Drill the four holes marked on the wall with a 6 mm drill bit at a depth of 2.75".
- C.** Insert the four Plastic Anchors (P) into the holes.
- D.** Insert the four included Screws (P) into the predrilled holes on the cleat, as pictured.
- E.** Secure them in place with either a Philips head screwdriver or an electric screwdriver.



Warranty

1. Viva Comfort (the "Company" or "Tiger Companies") warrants to the purchaser that the product will be free from defects in workmanship and materials for a period of 1 year from the date of purchase. The warranty period is not extended if we repair, replace, exchange, or provide a refund for the product (as determined in our sole discretion). We may change the availability of this limited warranty at our discretion, but any changes will not be retroactive.
2. These warranties are not assignable or transferable to any other person, including, without limitation, any subsequent owner or other transferee of the product.
3. This Warranty does not apply to: (a) damage caused by misuse, tampering, abuse, neglect, or accident; (b) damage caused by improper installation, modification, or service; (c) alteration of the serial number; or (d) use that violates the instructions furnished by the Company will void this warranty.
4. The sole responsibility of the Company shall be limited to (a) the repair or replacement (in its sole discretion) of any component of the product which fails to conform to this; (b) a refund the purchase price of such product (in its sole discretion), at no cost to the purchaser for the period of the warranty, or (c) an exchange for a similar product, comparable in function and price.
5. Contact the Company directly at 1-(800)-805-1790 to obtain service under this warranty. If it becomes applicable to send a defective product to the Company, a Return Authorization Number must first be obtained from the Company. In order to obtain service under this warranty, purchaser may be required to provide the Company with the following items (a) proof of purchase, (b) photographs and or videos (of the damage, and (c) a written testimonial describing the defect.
6. Products shipped without prior Return Authorization and Return Authorization Number may not be accepted, and the Company will not be responsible for their disposition and/or cost of return to the owner.
7. The Company will not assume any responsibility for any loss or damage incurred in shipping and or delivery.
8. The product(s) must be returned within 14 calendar days of receiving the return authorization from the Company and must include the original proof of purchase for the warranty to be honored.
9. Any implied warranties that the purchaser may have are limited to the duration of the warranties described above. There are no further warranties that extend or apply beyond the face hereof, and the Company expressly disclaims and excludes any and all warranties of merchantability or fitness for a particular purpose. Some states do not allow limitations on how long an implied warranty lasts, so the above limitation may not apply to you.
10. THE REMEDIES DESCRIBED ABOVE ARE YOUR SOLE AND EXCLUSIVE REMEDIES AND THE COMPANY'S ENTIRE LIABILITY FOR ANY BREACH OF THIS LIMITED WARRANTY. OUR LIABILITY SHALL UNDER NO CIRCUMSTANCES EXCEED THE ACTUAL AMOUNT PAID BY YOU FOR THE DEFECTIVE PRODUCT, NOR SHALL WE UNDER ANY CIRCUMSTANCES BE LIABLE FOR ANY CONSEQUENTIAL, INCIDENTAL, SPECIAL OR PUNITIVE DAMAGES OR LOSSES, WHETHER DIRECT OR INDIRECT. SOME STATES DO NOT ALLOW THE EXCLUSION OR LIMITATIONS OF INCIDENTAL OR CONSEQUENTIAL DAMAGES, SO THE LIMITATION MAY NOT APPLY TO YOU.
11. This warranty gives you specific legal rights, and you may also have additional rights which vary from state to state.



ADIME902-24-GRY

© 2025 Viva Comfort

vivacomfort.com