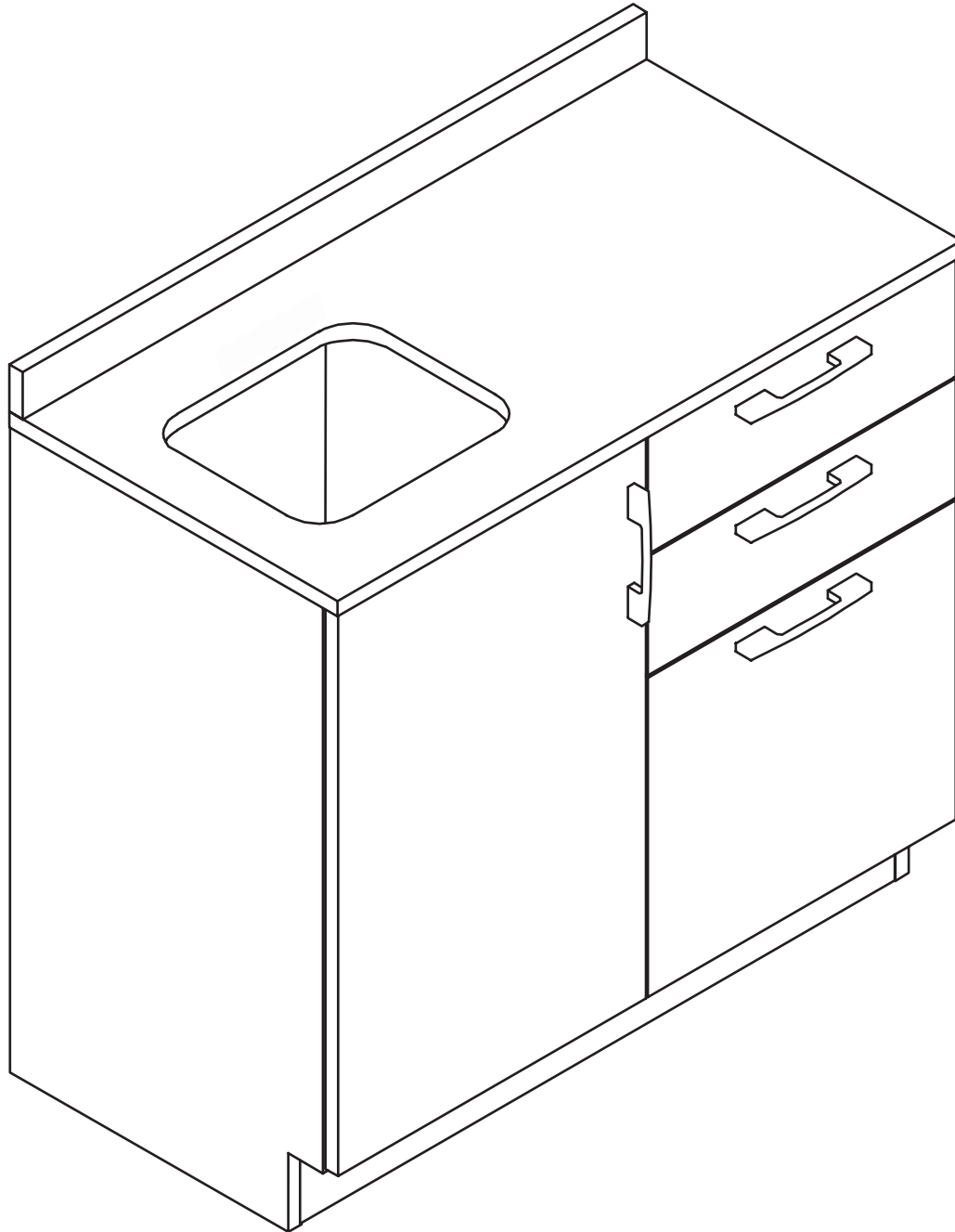




.....

# 36 INCH COUNTERTOP WITH LEFT SINK CUTOUT

.....



ADIME902-BASE-36-LS-GRY

**USER GUIDE**



# Thank you for your purchase.

---

**Viva by AdirMed maintains  
a strong practice of ongoing  
development of products and  
commercial research.**

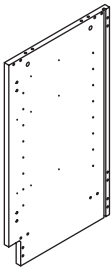
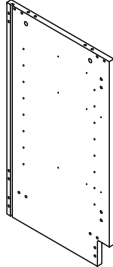
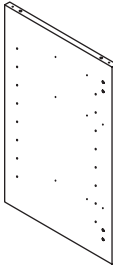
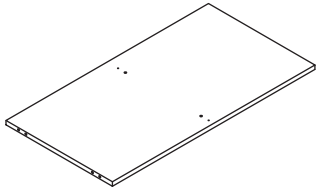
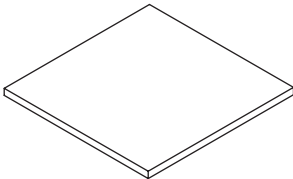
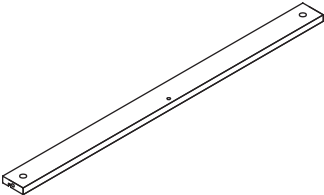
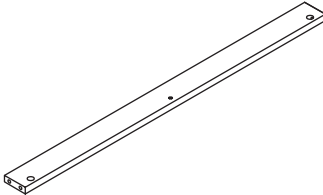
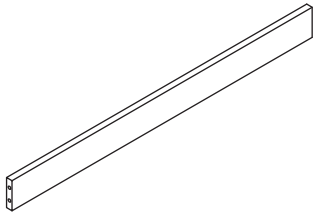
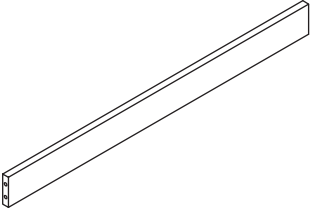
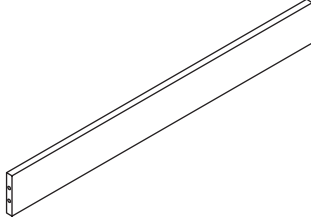
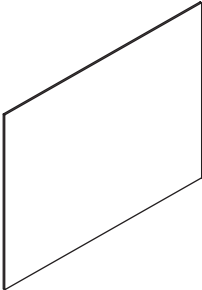
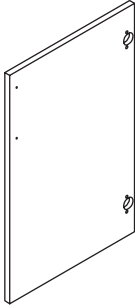
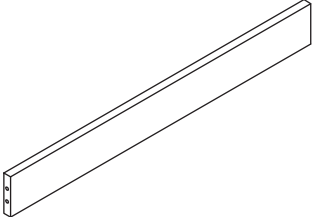
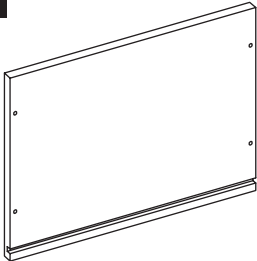
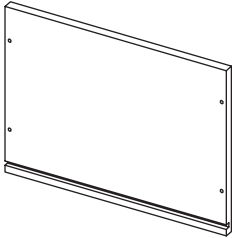
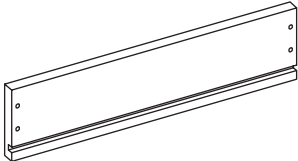
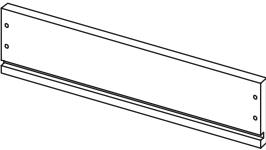
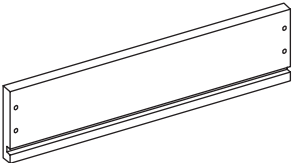
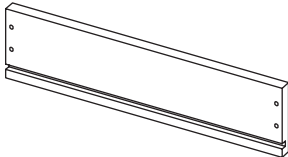
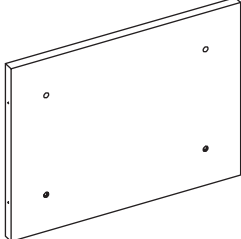
---

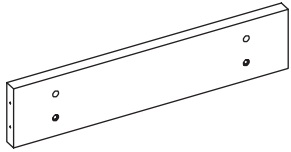
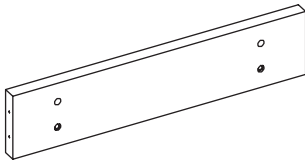
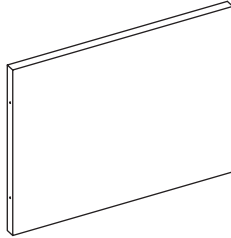
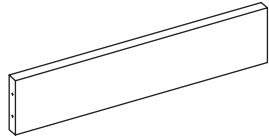
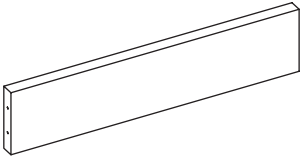
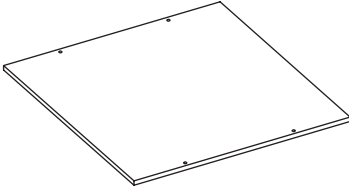
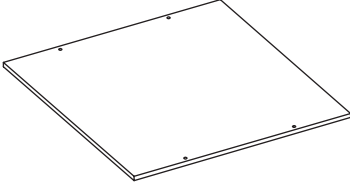
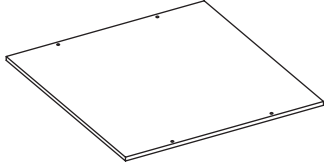
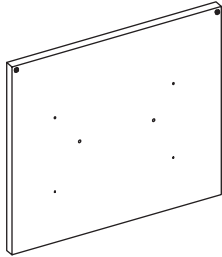
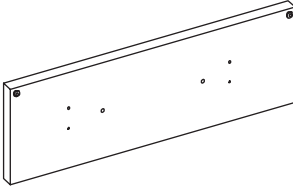
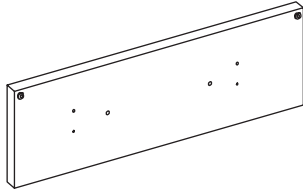
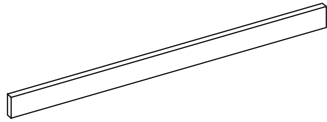
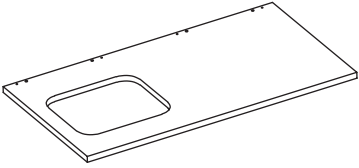
**We recognize that starting and maintaining a medical practice is  
expensive. We'll help make the process cost-effective and elegant.  
Additionally, our team of specialists will ensure everything you  
need works as efficiently as possible, so you can effectively treat  
your clients.**

# Table of Contents

<b>2</b>	Parts
<b>4</b>	Hardware
<b>5</b>	Assembling Instructions
<b>21</b>	Medical Sink with Faucet and Handles Installation
<b>25</b>	Warranty


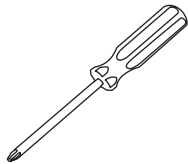

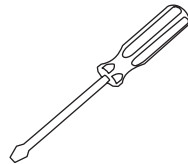
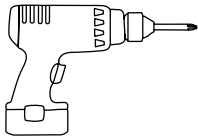
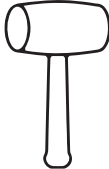
# Parts

<p><b>1</b></p>  <p>Left Side Panel</p>	<p><b>2</b></p>  <p>Right Side Panel</p>	<p><b>3</b></p>  <p>Middle Panel</p>	<p><b>4</b></p>  <p>Bottom Panel</p>
<p><b>5</b></p>  <p>Removable Shelf</p>	<p><b>6</b></p>  <p>Top Back Rail</p>	<p><b>7</b></p>  <p>Top Front Rail</p>	<p><b>8</b></p>  <p>Top Back Rail 1</p>
<p><b>9</b></p>  <p>Center Back Rail</p>	<p><b>10</b></p>  <p>Bottom Back Rail</p>	<p><b>11</b></p>  <p>Back Panel</p>	<p><b>12</b></p>  <p>Left Door</p>
<p><b>13</b></p>  <p>Toe Kick</p>	<p><b>14</b></p>  <p>Drawer Left Side 1</p>	<p><b>15</b></p>  <p>Drawer Right Side 1</p>	<p><b>16</b></p>  <p>Drawer Left Side 2</p>
<p><b>17</b></p>  <p>Drawer Right Side 2</p>	<p><b>18</b></p>  <p>Drawer Left Side 3</p>	<p><b>19</b></p>  <p>Drawer Right Side 3</p>	<p><b>20</b></p>  <p>Drawer Front 1</p>

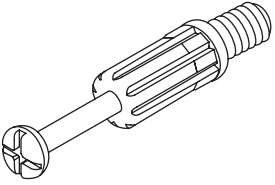
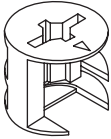
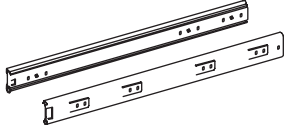
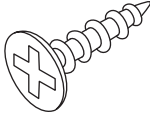
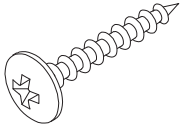
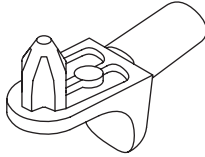
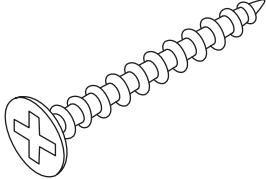
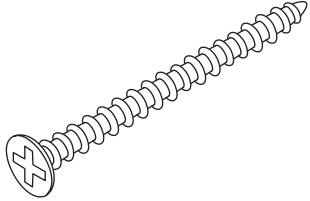
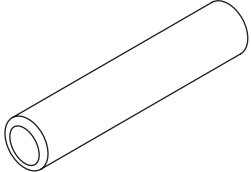
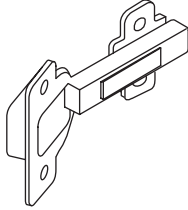
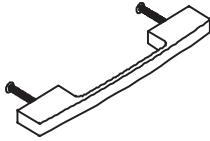
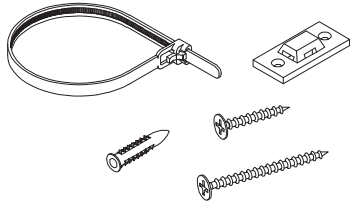


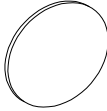
<p><b>21</b></p>  <p>Drawer Front 2</p>	<p><b>22</b></p>  <p>Drawer Front 3</p>	<p><b>23</b></p>  <p>Drawer Back 1</p>	<p><b>24</b></p>  <p>Drawer Back 2</p>
<p><b>25</b></p>  <p>Drawer Back 3</p>	<p><b>26</b></p>  <p>Drawer Bottom 1</p>	<p><b>27</b></p>  <p>Drawer Bottom 2</p>	<p><b>28</b></p>  <p>Drawer Bottom 3</p>
<p><b>29</b></p>  <p>Drawer Face 1</p>	<p><b>30</b></p>  <p>Drawer Face 2</p>	<p><b>31</b></p>  <p>Drawer Face 3</p>	<p><b>32</b></p>  <p>Top Filler</p>
<p><b>33</b></p>  <p>Left Cutout Top 1</p>			

- Hardware Specifications:**
- Ball Bearing Drawer Slides
  - Ø4x15 mm Wooden Screw
  - Ø4x28mm Wooden Screw
  - Ø4x30mm Wooden Screw
  - Ø4x40mm Wooden Screw
  - Ø15\*13mm Cam Lock
  - Ø8\*35mm Cam Lock Bolt
  - Ø8x40mm Wooden Dowel

**Tools Needed (But Not Included):**

  <p>Phillips Head Screwdriver</p>	  <p>Flat Head Screwdriver</p>	 <p>Electric Screwdriver</p>	 <p>Rubber Mallet</p>
--	--	---	---

# Hardware

<p><b>A</b></p>  <p>Cam Lock Bolts (x22)</p>	<p><b>B</b></p>  <p>Cam Locks (x22)</p>	<p><b>C</b></p>  <p>Ball Bearing Drawer Slides (x3)</p>	<p><b>D</b></p>  <p>Ø4x15 mm Wooden Screw (x60)</p>
<p><b>E</b></p>  <p>Ø4x28mm Wooden Screw (x6)</p>	<p><b>F</b></p>  <p>Shelf Support (x4)</p>	<p><b>G</b></p>  <p>Ø4x30mm Wooden Screw (x18)</p>	<p><b>H</b></p>  <p>Ø4x40mm Wooden Screw (x30)</p>
<p><b>I</b></p>  <p>Wooden Dowel (x24)</p>	<p><b>J</b></p>  <p>Hinge (x2)</p>	<p><b>K</b></p>  <p>Handle (x4) Ø4x25mm Screw (x8)</p>	<p><b>L</b></p>  <p>Antitip (x2)</p>
<p><b>M</b></p>  <p>Plastic Nail (x10)</p>	<p><b>N</b></p>  <p>Sticker 1 (x30)</p>	<p><b>O</b></p>  <p>Sticker 2 (x24)</p>	

# Assembly Instructions

## NOTE:

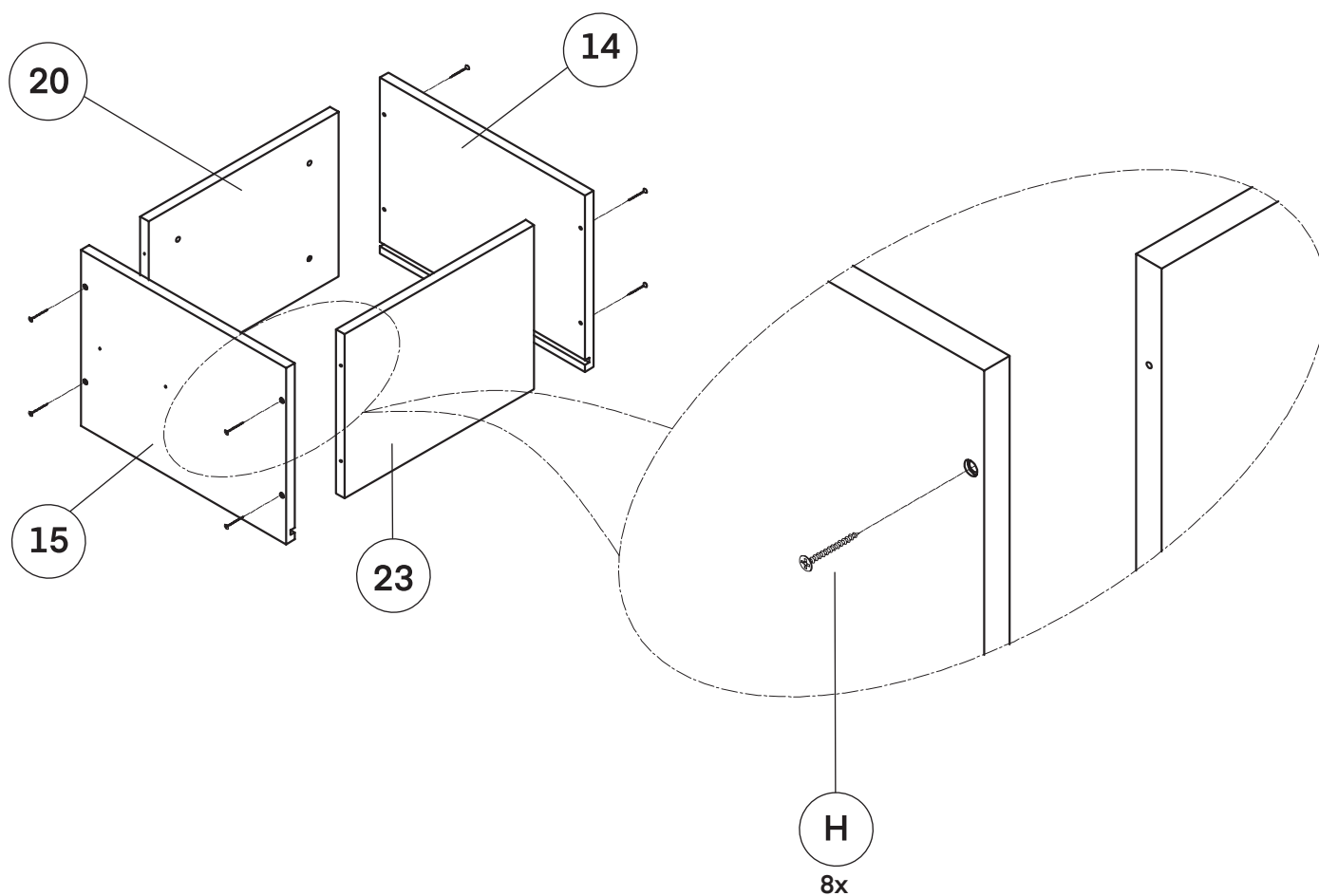
Before starting, ensure you have an open, clean area to assemble your cabinet.

Ensure you have all the necessary parts and hardware listed above.

We highly recommend hiring a professional contractor to assemble and install your cabinet(s).

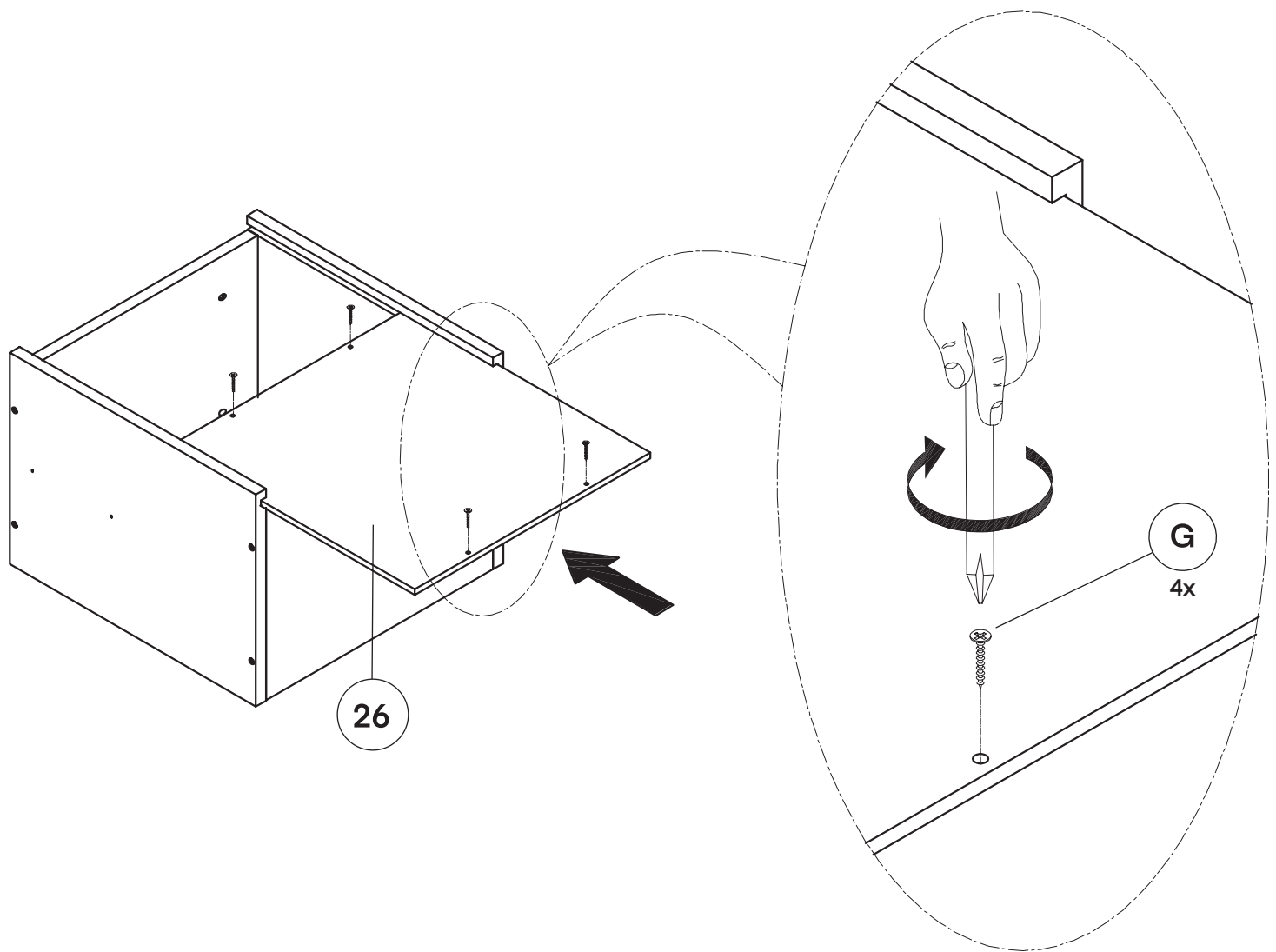
## Step 1:

- A. Locate your Drawer Left Side 1 (14), Drawer Right Side 1 (15), Drawer Front 1 (20), and Drawer Back 1 (23).
- B. Attach the Drawer Left Side 1 (14) to the Drawer Front 1 (20) using two  $\text{\O}4\times40\text{mm}$  Wooden Screws (H).
- C. Repeat the above steps by connecting the Drawer Left Side 1 (14) to the Drawer Back 1 (23), and connecting the Drawer Right Side 1 (15) to the Drawer Front 1 (20) and Drawer Back 1 (23) using two  $\text{\O}4\times40\text{mm}$  Wooden Screws (H).
- D. Fully tighten with a Philips head screwdriver.



**Step 2:**

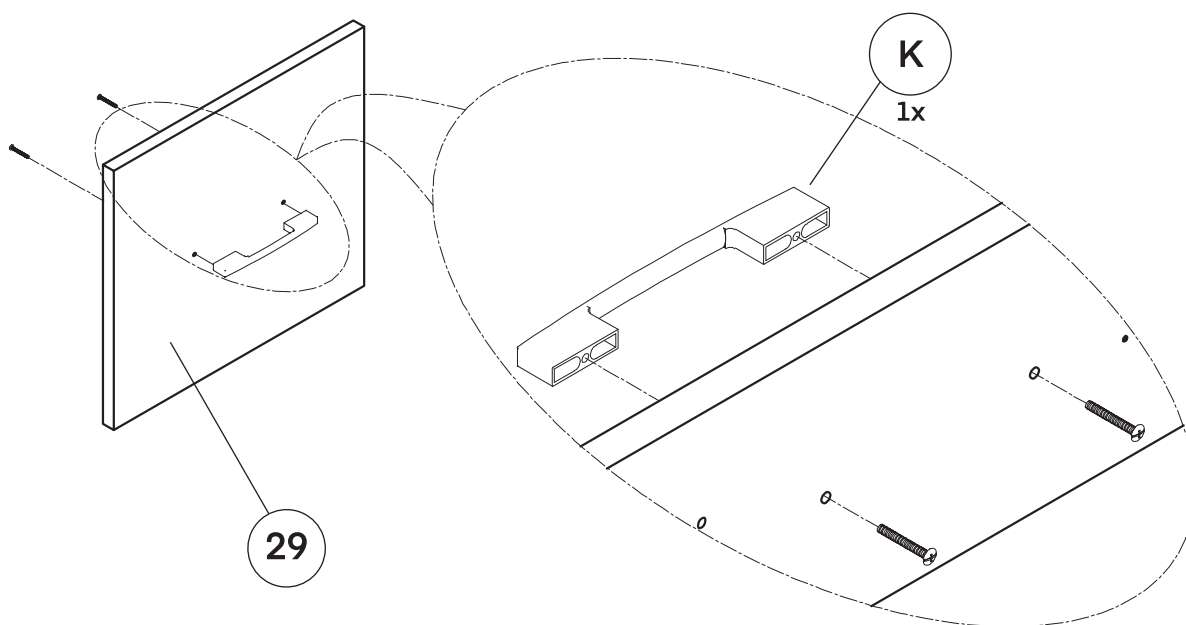
- A.** Locate the Drawer Bottom 1 (26) and slide it between the Drawer Left Side 1 (14) and Drawer Right Side 1 (15).
- B.** Secure it in place using four Ø4x30mm Wooden Screws (G) and tighten with a Philips head screwdriver.





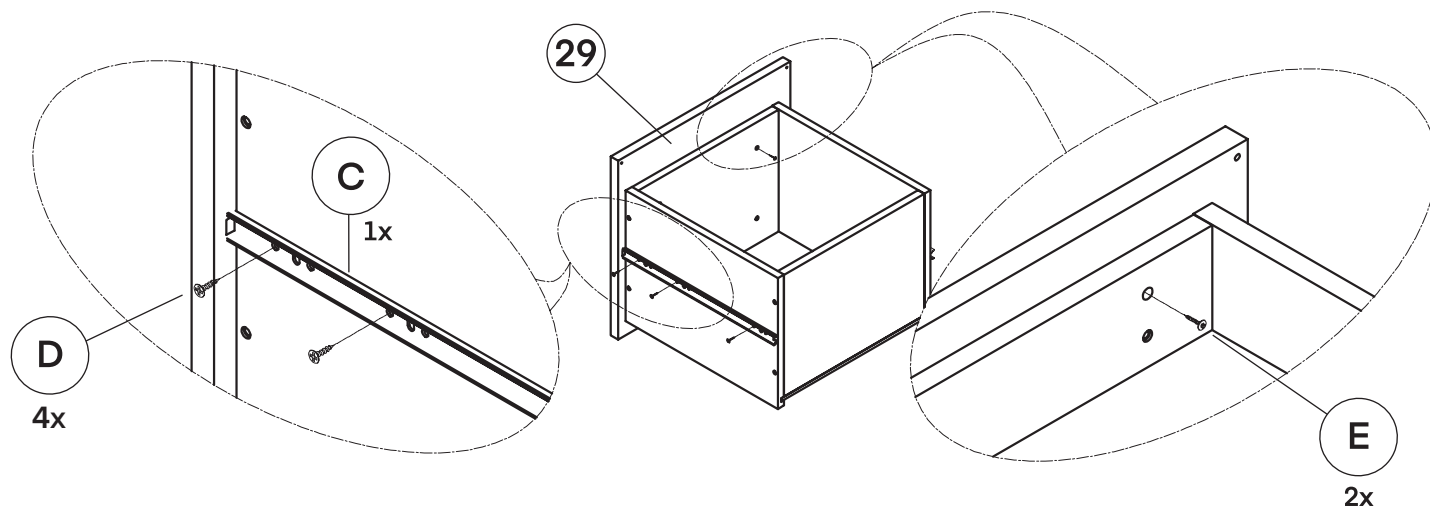
### Step 3:

50 Take the Handle (K) and adhere it to the Drawer Face 1 (29) with the included screws.



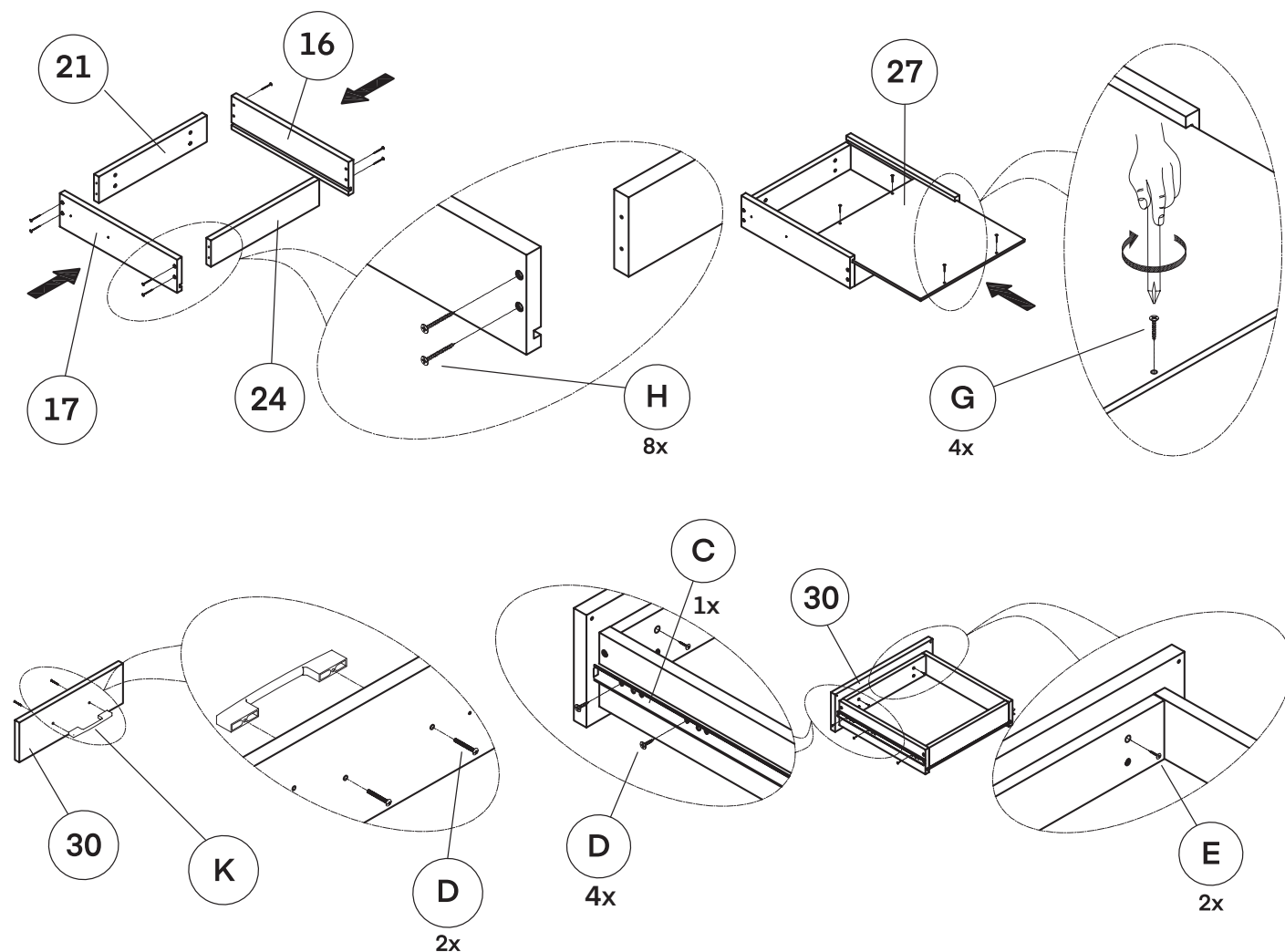
### Step 4:

- A. Locate the Ball Bearing Drawer Slides (C) and secure one on each side of the drawer, as pictured.
- B. Using four Ø4x15mm Wooden Screws (D) per Ball Bearing Drawer Slides (C), secure them in place with a Philips head screwdriver.
- C. Affix the Drawer Face 1 (29) to the Drawer Front 1 (20) with two Ø4x28mm Wooden Screws (E).



## Step 5:

- A.** To assemble the second drawer, locate the following pieces: Drawer Left Side 2 (16), Drawer Right Side 2 (17), Drawer Front 2 (21), Drawer Back 2 (24), Drawer Bottom 2 (27), Drawer Face 2 (30), eight Ø4x40 mm Wooden Screws (H).
- B.** Connect the Drawer Front 2 (21) and the Drawer Back 2 (24) to the Drawer Left Side 2 (16) with four Ø4 x40 mm Wooden Screws (H) and secure it in place with a Philips head screwdriver.
- C.** Affix the Drawer Right Side 2 (17) to the Drawer Back 2 (24) and the Drawer Front 2 (22) with four Ø4 x40 mm Wooden Screws (H) and secure it in place with a Philips head screwdriver.
- D.** Locate the Drawer Bottom 2 (27) and slide it between the Drawer Left Side 2 (16) and Drawer Right Side 2 (17).
- E.** Secure it in place using four Ø4x30mm Wooden Screws (G) and tighten with a Philips head screwdriver.
- F.** Take the Handle (K) and adhere it to the Drawer 2 Face (30) with the accompanying screws.
- G.** Locate the Ball Bearing Drawer Slides (C) and secure one on each side of the drawer, as pictured.
- H.** Using four Ø4x15mm Wooden Screws (D) per Ball Bearing Drawer Slides (C), secure them in place with a Philips head screwdriver.
- I.** Affix the Drawer Face 2 (30) to the Drawer Front 2 (21) with Ø4 x28 mm Wooden Screws (E) on the top.



### Step 6:

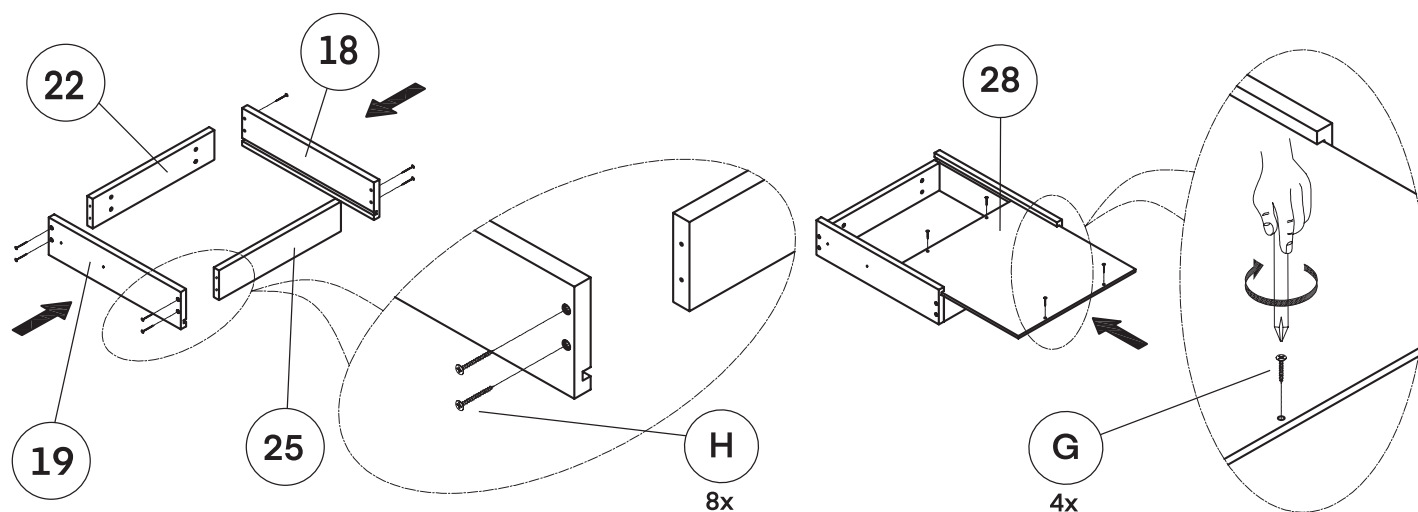
**A.** To assemble the third drawer, locate the following pieces: Drawer Left Side 3 (18), Drawer Right Side 3 (19), Drawer Front 3 (22), Drawer Back 3 (25), Drawer Bottom 3 (28), Drawer Face 3 (31), eight Ø4x40 mm Wooden Screws (H).

**B.** Connect the Drawer Front 3 (22) and the Drawer Back 3 (25) to the Drawer Left Side 3 (18) with four Ø4x40 mm Wooden Screws (H) and secure them in place with a Philips head screwdriver.

**C.** Affix the Drawer Right Side 3 (19) to the Drawer Back 3 (25) and the Drawer Front 3 (22) with four Ø4x40 mm Wooden Screws (H) and secure them in place with a Philips head screwdriver.

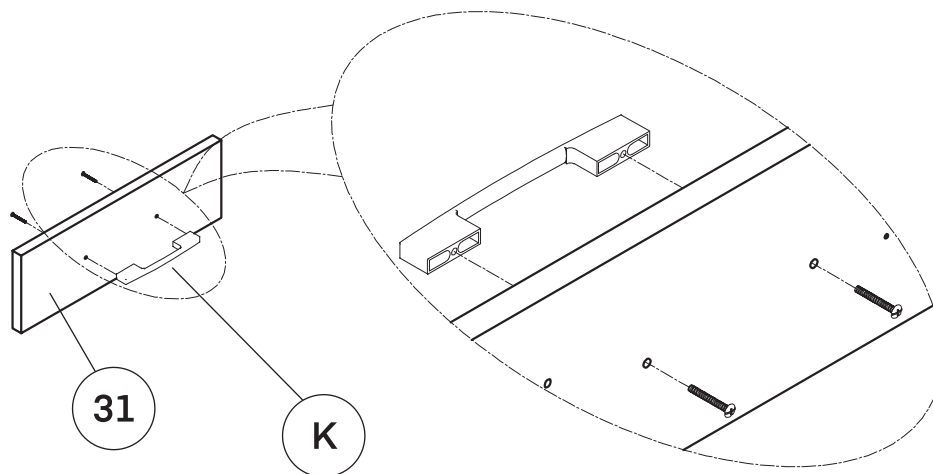
**D.** Locate the Drawer Bottom 3 (28) and slide it between the Drawer Left Side 3 (18) and Drawer Right Side 3 (19).

**E.** Secure it in place using four Ø4x30mm Wooden Screws (G) and tighten with a Philips head screwdriver.



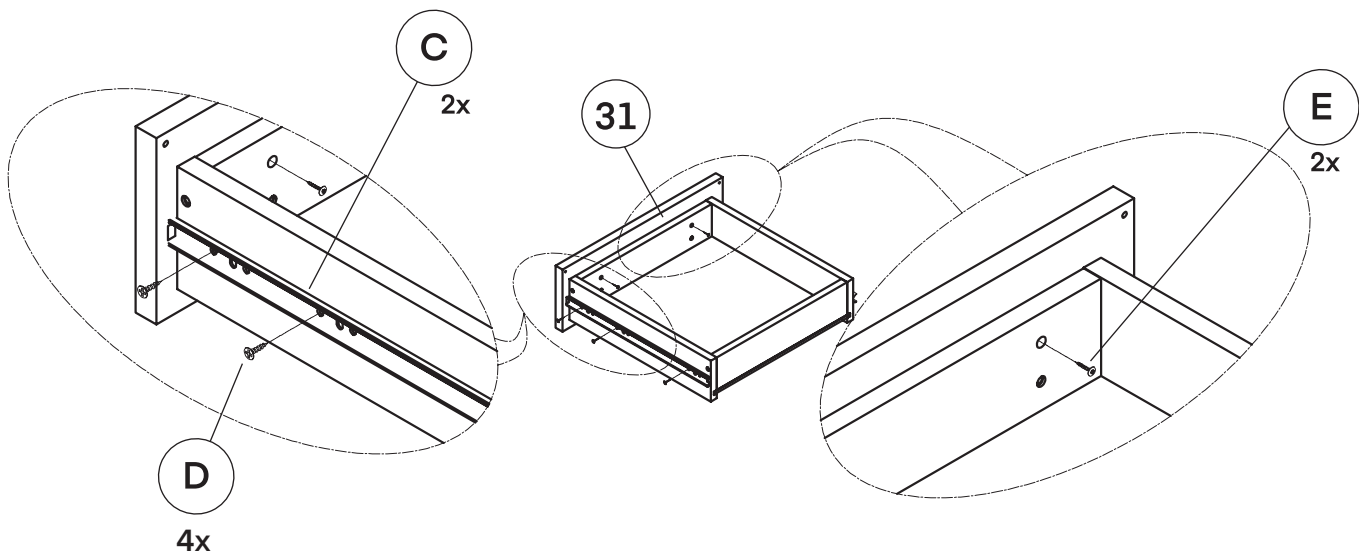
### Step 7:

**A.** Take the Handle (K) and adhere it to the Drawer Face 3 (31) with the included screws.



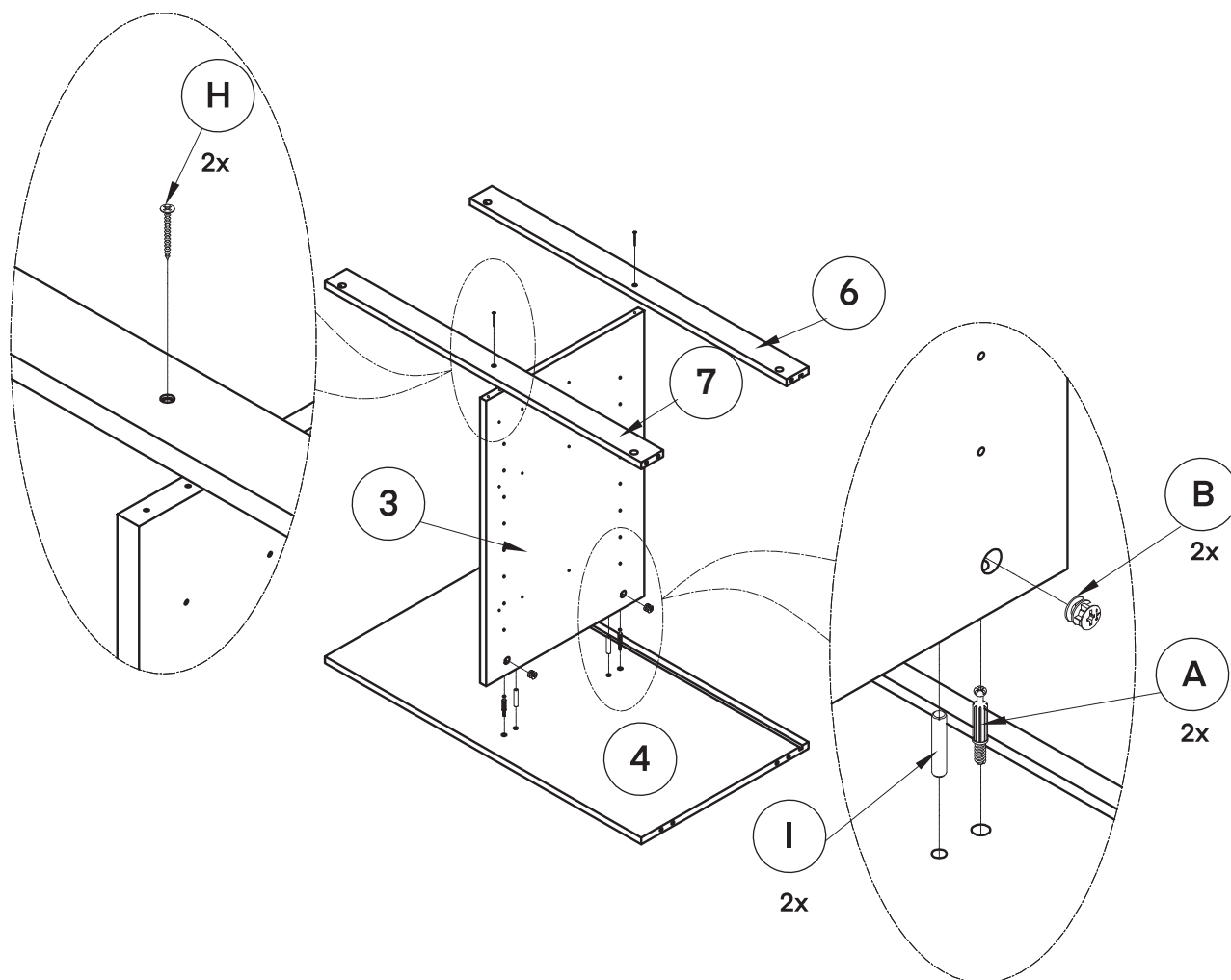
### Step 8:

- A.** Locate the Ball Bearing Drawer Slides (C) and secure one on each side of the drawer, as pictured.
- B.** Using four Ø4x15mm Wooden Screws (D) per Ball Bearing Drawer Slides (C), secure them in place with a Philips head screwdriver.
- C.** Affix the Drawer Face 3 (31) to the Drawer Front 3 (22) with two Ø4x28mm Wooden Screws (E) on the top.



### Step 9:

- A.** Locate the Bottom Panel (4) and lay it on a flat, clean surface.
- B.** In the Bottom Panel (4), locate the four middle, pre-drilled holes.
  - a.** Insert two Wooden Dowels (I), as pictured, in the two middle holes in the Middle Panel (3).
  - b.** Lightly tap them in place with a rubber mallet.
  - c.** Insert two Cam Lock Bolts (A) into the holes outside in the Bottom Panel (4).
  - d.** Secure them in place with a Philips head screwdriver.
- C.** Take the Middle Panel (3) and secure it on top of the hardware you just installed.
  - a.** Push down until it is flush with the Bottom Panel (4).
  - b.** Adhere two Cam Locks (B) to the bottom of the Middle Panel (3), as pictured, and turn them clockwise to secure in place.
- D.** Locate the Top Back Rail (6) and the Top Front Rail (7).
- E.** Affix them to the Middle Panel (3) using two  $\text{\O}4\times40$  mm Wooden Screws (H) with a Philips head screwdriver, as pictured.



## Step 10:

A. Locate the Left Side Panel (1) and lay it on a flat, clean surface.

B. Insert Wooden Dowels (I), as pictured, into the applicable holes on the bottom and edge of the Bottom Panel (4), both sides of the Top Back Rail (6), Top Front Rail (7), Top Back Rail 1 (8), Center Back Rail (9), Bottom Back Rail (10), and Toe Kick (13).

a. Lightly tap them until secure with a rubber mallet.

C. Connect the Bottom Back Rail (10), and Toe Kick (13) to Bottom Panel (4) as pictured.

D. At the bottom of the Left Side Panel (1) before it juts out, there are four predrilled holes.

a. Insert one Cam Lock Bolt (A) per pair of holes, as pictured.

b. Insert the preassembled structure from Step 9, onto the hardware you just installed, as pictured, and lightly tap it with a rubber mallet until it is flush with the Bottom Panel (4).

c. Insert a Cam Lock Bolt (A) on the top right of the Left Side Panel (1), as pictured.

E. On the Left Side Panel (1) insert a Cam Lock Bolt (A) in the first predrilled hole on the top left and right hand side.

a. Insert a Cam Lock Bolt (A) in one of the two predrilled holes located on the right-hand side by the channel.

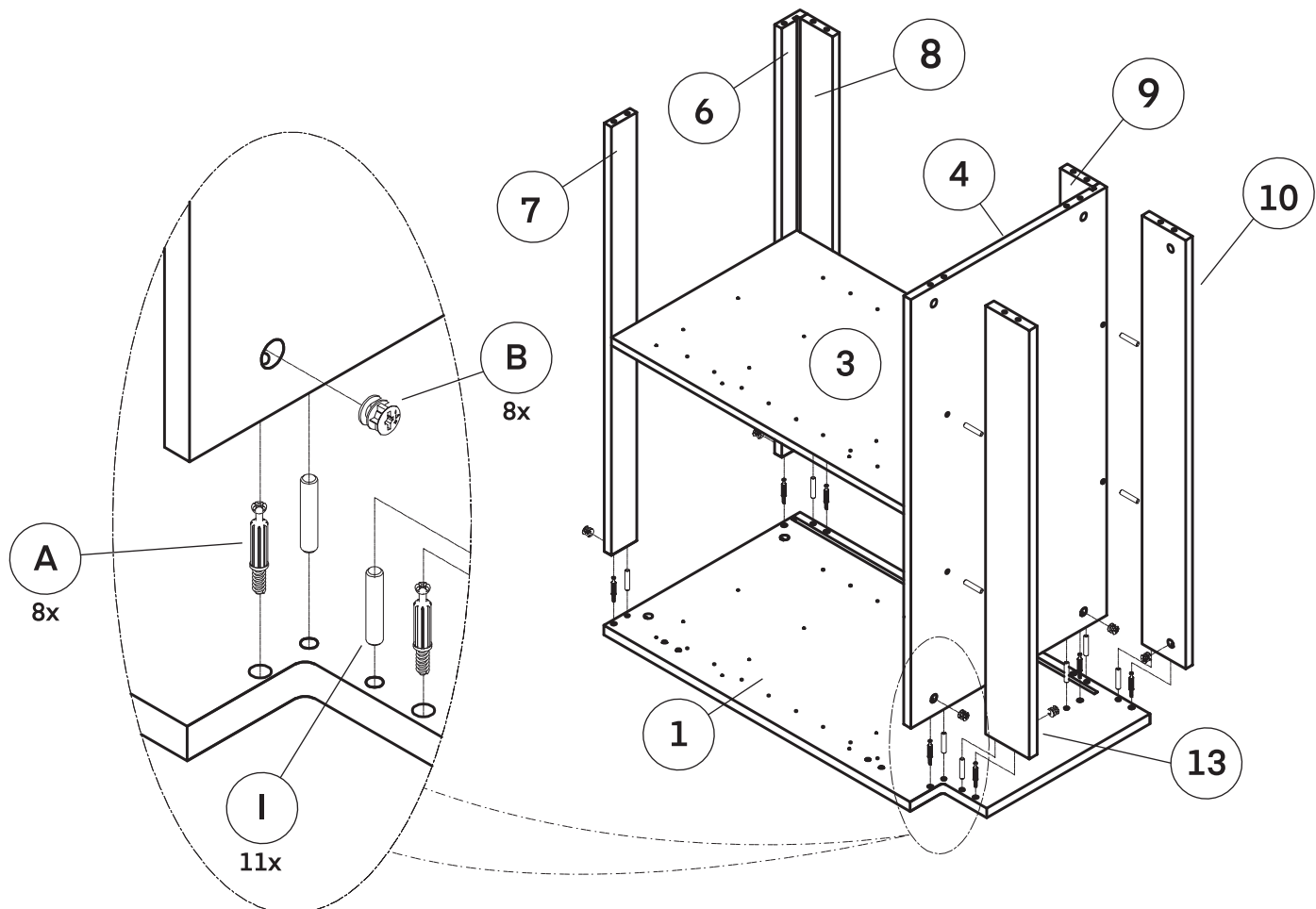
F. Locate and insert the Top Back Rail (6) on the top right-hand side of the Left Side Panel (1), as well as the Top Front Rail (7) on the top left-hand side.

G. Locate and insert the Top Back Rail 1 (8) on the top right-hand side on the Left Side Panel (1), as well as the Center Back Rail (9) directly above the Bottom Panel (4).

H. Locate and insert the Bottom Back Rail (10) as well as the Toe Kick (13) on the bottom right and left-hand side of the Left Side Panel (1).

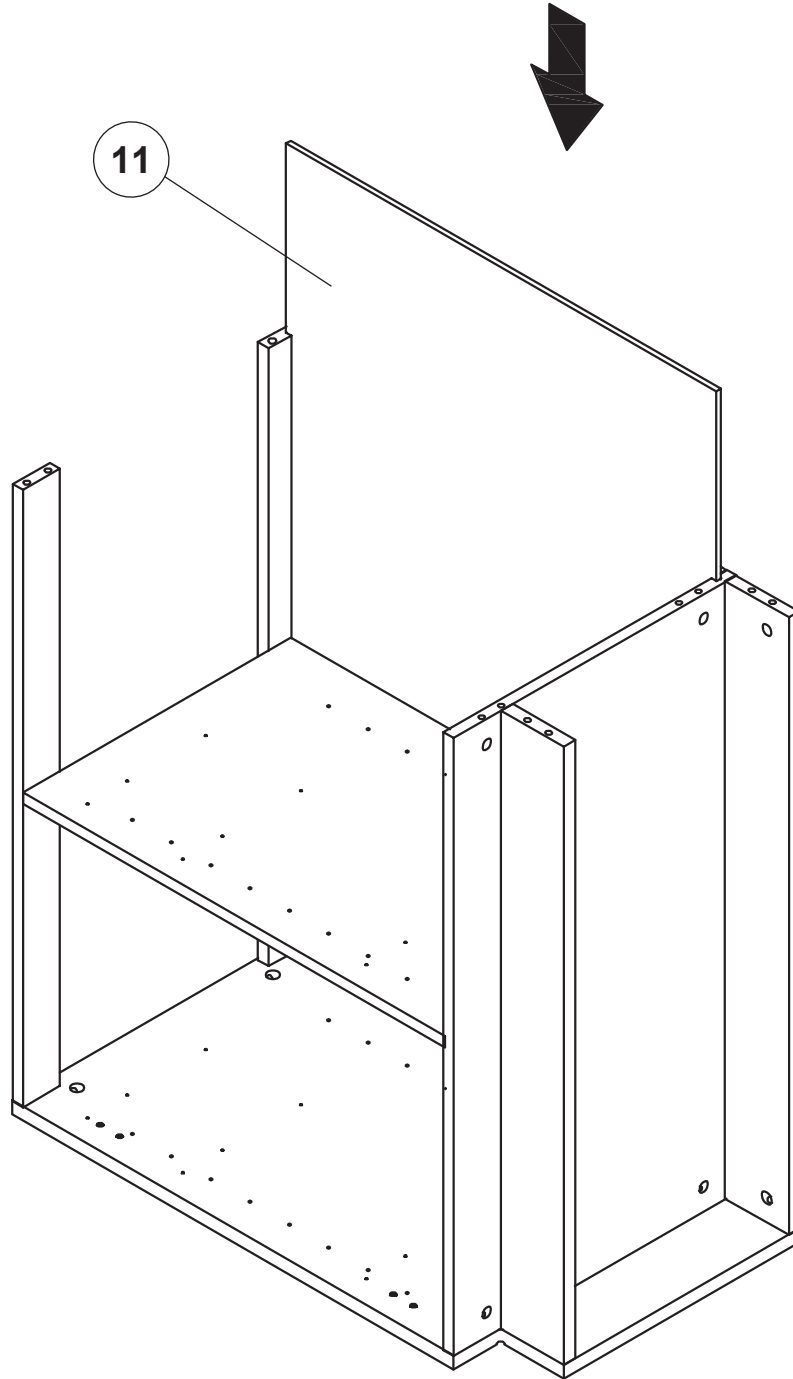
a. Then insert both the Bottom Back Rail (10) and the Toe Kick (13) into the Bottom Panel (4).

b. Insert and secure eight Cam Locks (B) where you installed the Cam Lock Bolts (A).



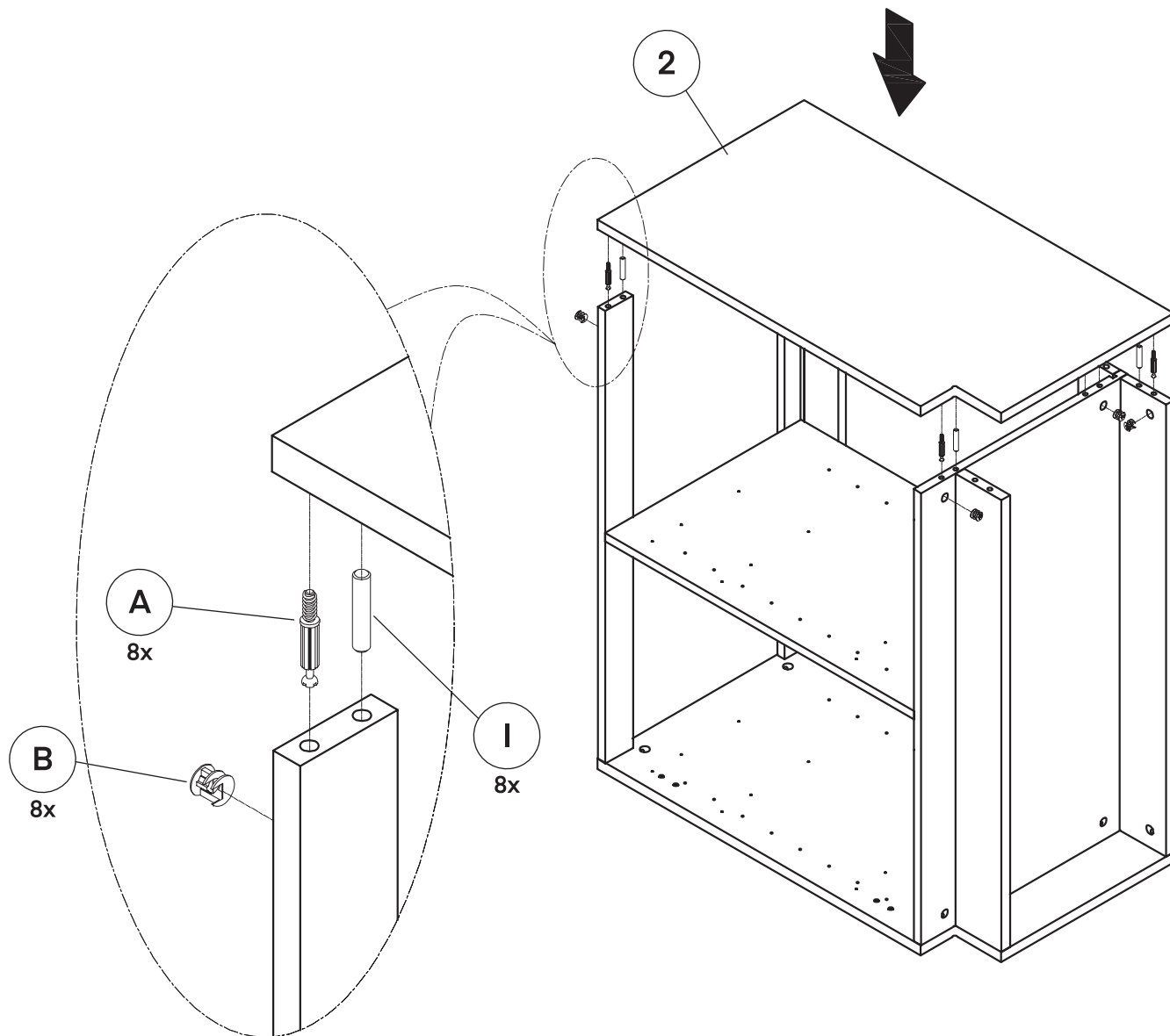
**Step 11:**

**A.** Slide the Back Panel (11) in between the crevices on the Top Back Rail 1 (8) and Bottom Panel (4).



## Step 12:

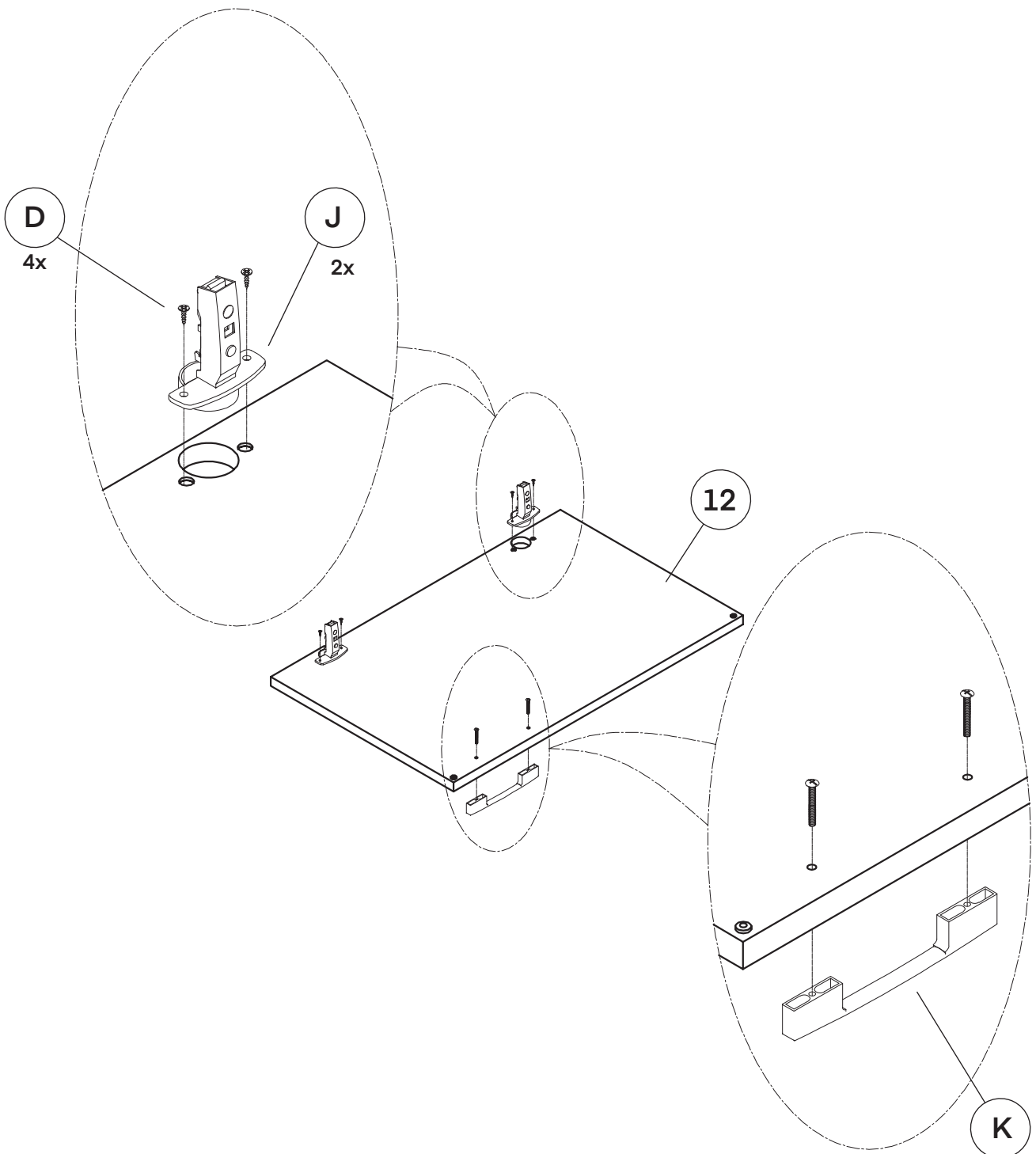
- A. Insert Cam Lock Bolt's (A) into the applicable holes on the Right Side Panel (2), as pictured.
- B. The Cam Lock Bolt's (A) should be in the opposite hole of where the Wooden Dowels (I) will go when you insert the Ride Side Panel (2).
- C. Locate the Right Side Panel (2) and place it on top of all the hardware you just installed in Step 11.
- D. Lightly tap it into place with a rubber mallet until flush with the other panels.
- E. Insert and secure Cam Locks (B) into the accompanying holes for the Cam Lock Bolts (A).
- F. Insert ten Plastic Nails (N) into the bottom of the Left Side Panel (1), the Right Side Panel (2), the Bottom Back Rail (10), and the Toe Kick (13) by tapping them in with a rubber mallet.





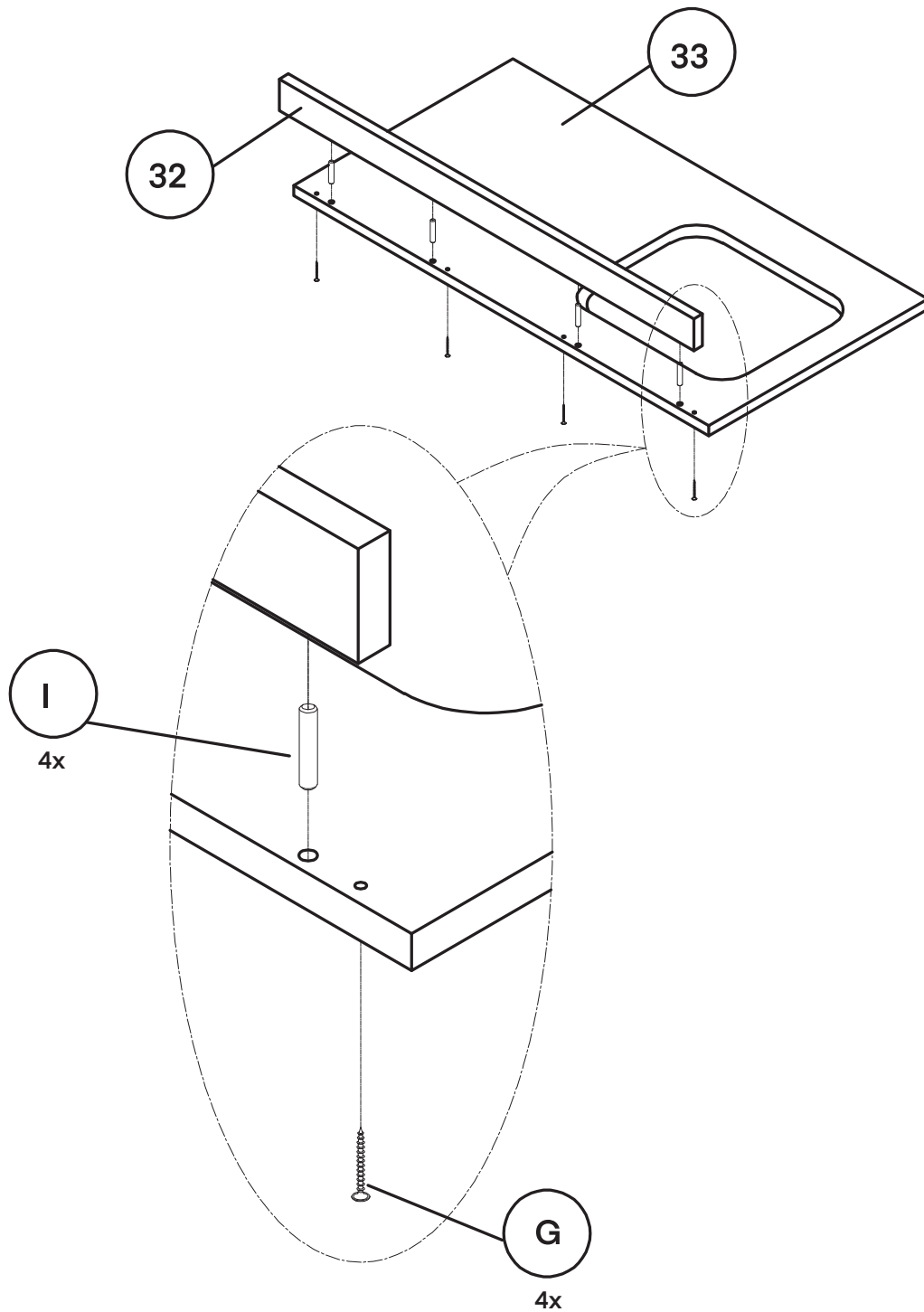
### Step 13:

- A. Locate the Left Door (12), two Hinges (J),  $\text{\O}4 \times 15$  mm Wooden Screws (D) and Handle (K); lay it on a flat, clean surface.
- B. Affix the two Hinges (J) in place with four  $\text{\O}4 \times 15$  mm Wooden Screws (D) and a Philips head screwdriver.
- C. Attach the Handle (K) with the accompanying screws and a Philips head screwdriver.



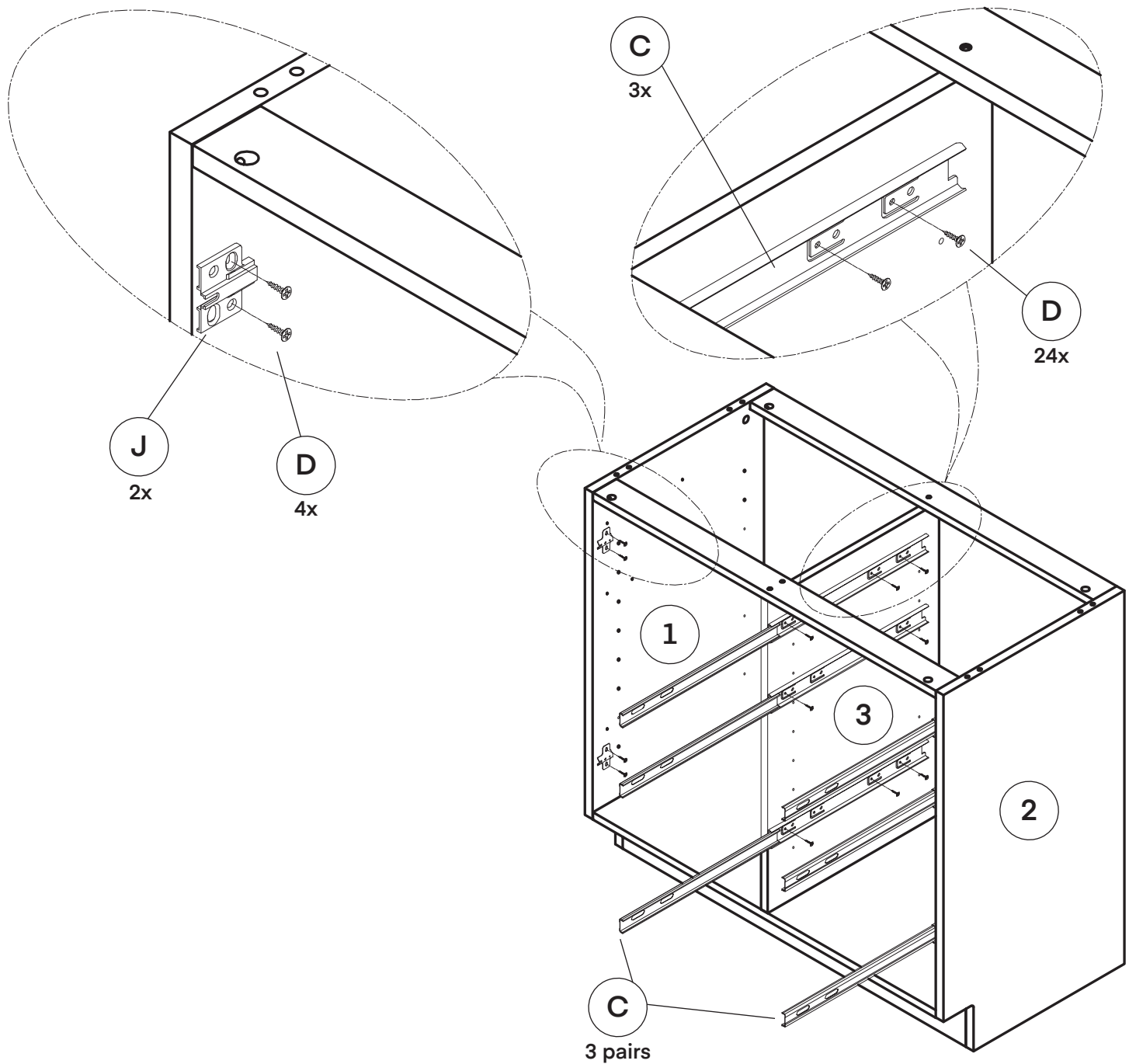
**Step 14:**

- A.** Lay the Left Cutout Top 1 (33) on a flat, clean surface
- B.** Adhere the Top Filler (32) on top of the Wooden Dowels (I) and gently tap until flush.
- C.** Insert four Ø4x40 mm Wooden Screws (G) from underneath the Left Cutout Top 1 (33) through the Top Filler (32).



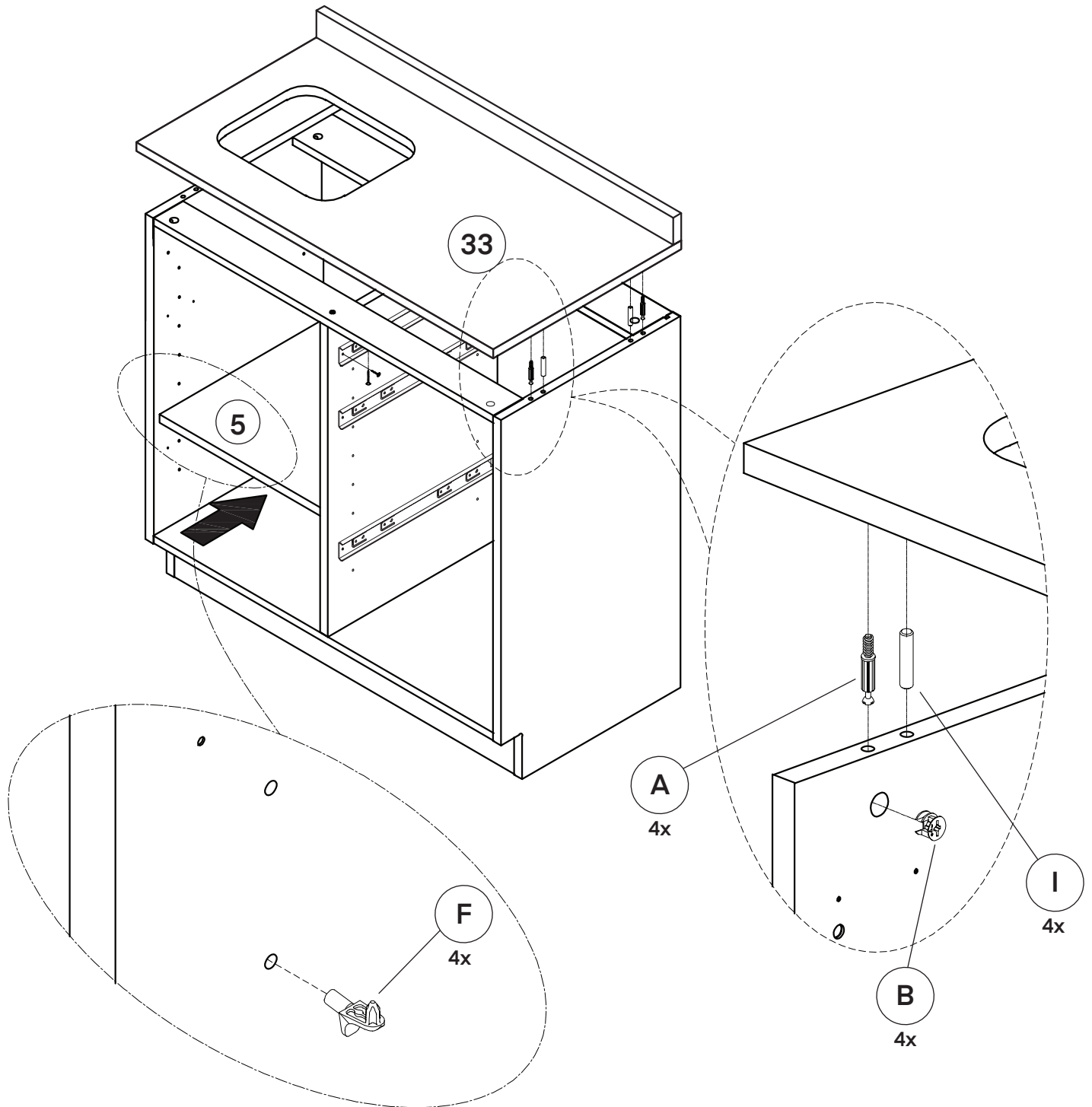
### Step 15:

- A. Turn your cabinet so that it's resting on the bottom.
- B. Insert all three sets of Ball Bearing Drawer Slides (C) on the inside of the Right Side Panel (2) and the right side of the Middle Panel (3) with four Ø4x15mm Wooden Screws (D) per Ball Bearing Drawer Slides (C).
- C. Insert two Hinges (J) on the inside of the Right Side Panel (2) using four Ø4x15mm Wooden Screws (D), as pictured.



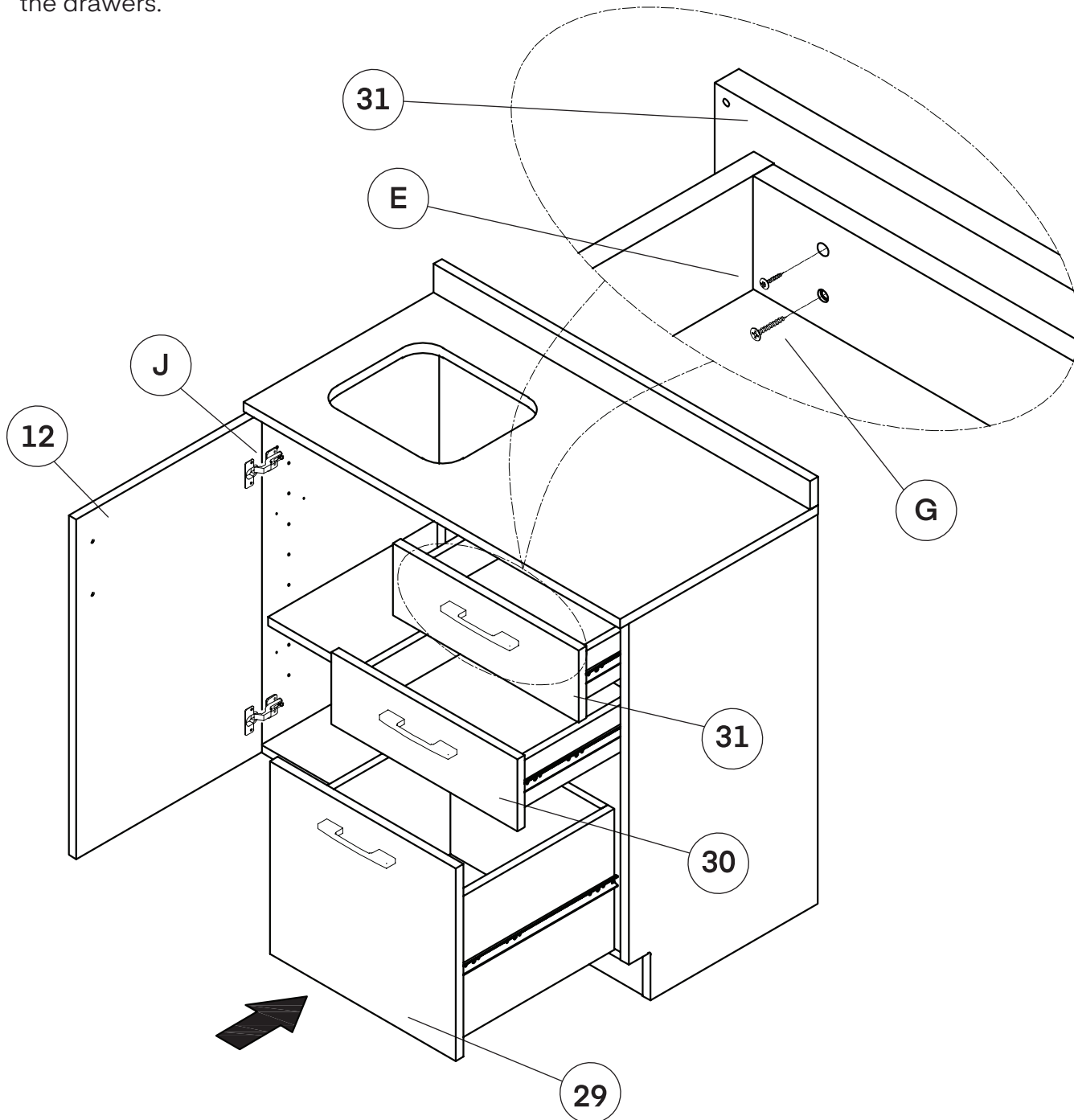
**Step 16:**

- A. Insert two Wooden Dowels (I) in the middle hole located on the Left Side Panel (1) and the Right Side Panel (2) by lightly tapping them using a rubber mallet.
- B. Insert four Cam Lock Bolts (A) into the Left Cutout Top 1 (33).
- C. Place the Left Cutout Top 1 (33) on top of the installed hardware.
- D. Insert four Cam Locks (B) into the accompanying holes located on the side panels.
- E. Install the Shelf Supports (F) where you want, and then place the Removable Shelf (5) on top of the Shelf Supports (F).



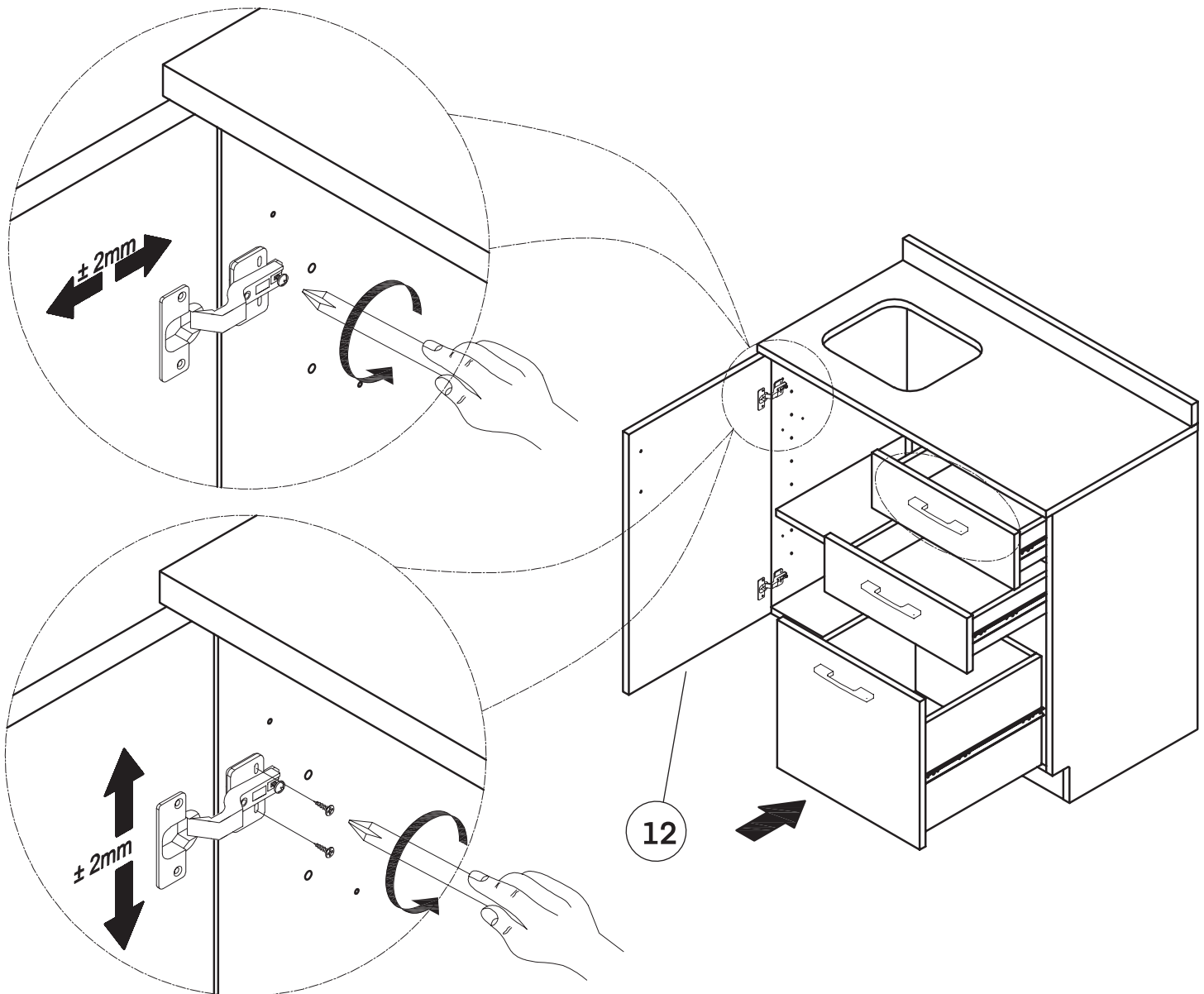
## Step 17:

- A. Attach the assembled Left (12) to the Hinges (J).
- B. Insert the assembled drawers by sliding them onto the sliders.
- a. Should the drawers not fit properly, adjust them by doing the following:
- Loosen the  $\text{\O}4\times28\text{mm}$  Wooden Screws (E) on the Drawer Face 1 (29), Drawer Face 2 (30), and the Drawer Face 3 (31).
  - Move the drawer's face up, down, left, and right until it fits.
  - Tighten the  $\text{\O}4\times28\text{mm}$  Wooden Screws (E).
  - Tighten the  $\text{\O}4\times30\text{mm}$  Wooden Screws (G).
- C. Use Sticker's 1 (N) to cover the  $\text{\O}4\times30\text{mm}$  Wooden Screws (G) and  $\text{\O}4\times40\text{mm}$  Wooden Screws (H) on the drawers.



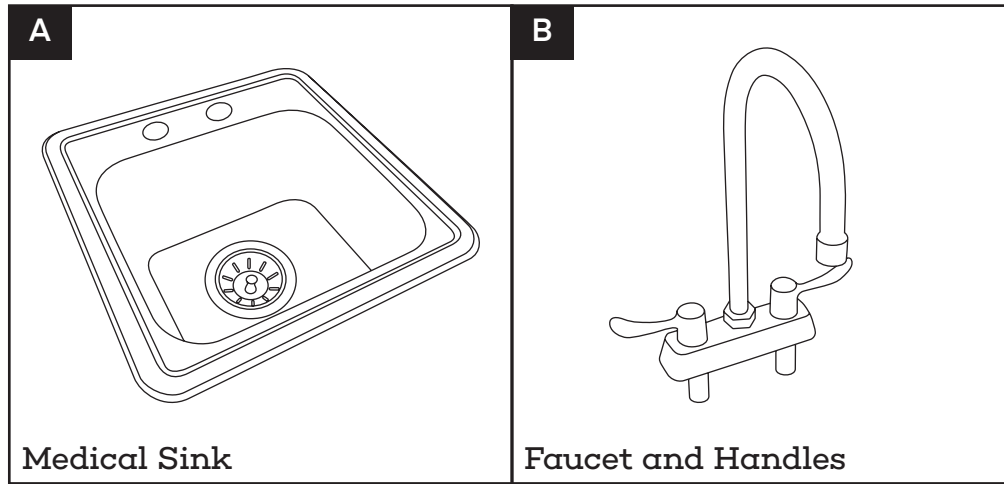
## Step 18:

- A. If the door isn't lining up, adjust the Hinges (J) according to the picture below.
- a. Attach the mounting plates to the Hinges (J) with two  $\text{\O}4 \times 15\text{mm}$  Wooden Screws (D) per Hinge (J).
- B. Should you choose to anchor your cabinet to the wall we've included Antitip (L) for you, but it is not required.
- C. Add Sticker's 2 (O) to cover the Cam Locks (B) on your cabinet.

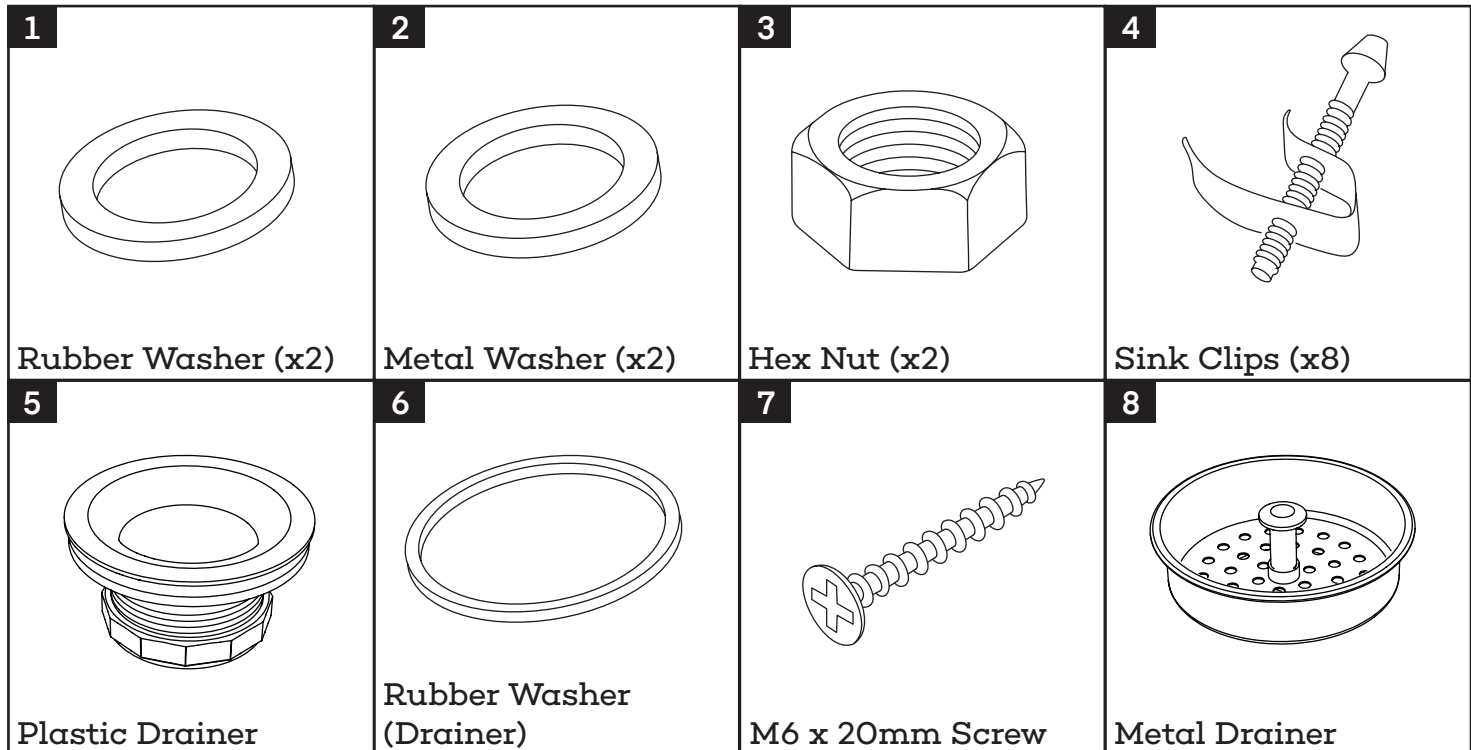


# Medical Sink with Faucet and Handles Installation

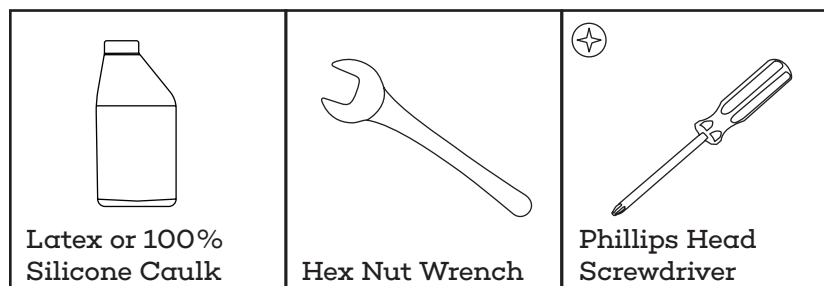
## Parts:



## Hardware:



## Tools Needed (But Not Included):

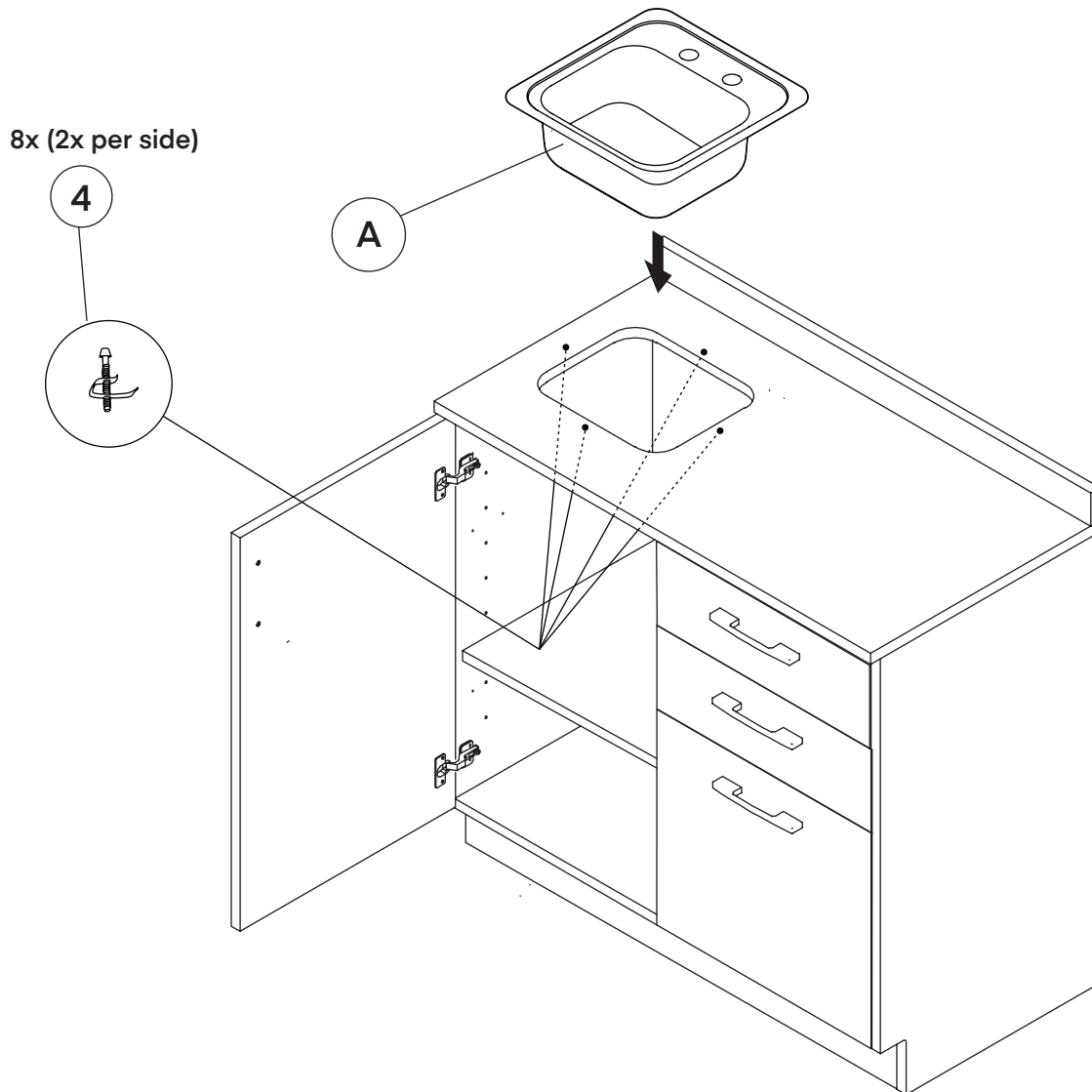


**NOTE:**

We highly recommend using two people to install your Medical Sink.

**Step 1:**

- A. Before installing your Medical Sink (A), apply a bead of caulk around the edge of the cutout.
- B. Line up and insert the Medical Sink (A) into the cutout and apply even pressure from both sides.
- C. Grab your Sink Clips (4) and partially thread the included screws into each clip.
- D. Under the sink, you will see mounting rails; slide your Sink Clips (4) in between the rails.
  - a. The clips need to be evenly placed around the entire bottom of the sink.
  - b. There should be two on each side, two on the back and two on the front.
- E. Slowly start securing every other clip, working in a clockwise formation, and tighten the screws until the Medical Sink (A) is drawn down to the countertop.
  - a. All clips should be secured in place.
  - b. Do not over-tighten them.
  - c. Wipe off any excess adhesive from the top of the sink.



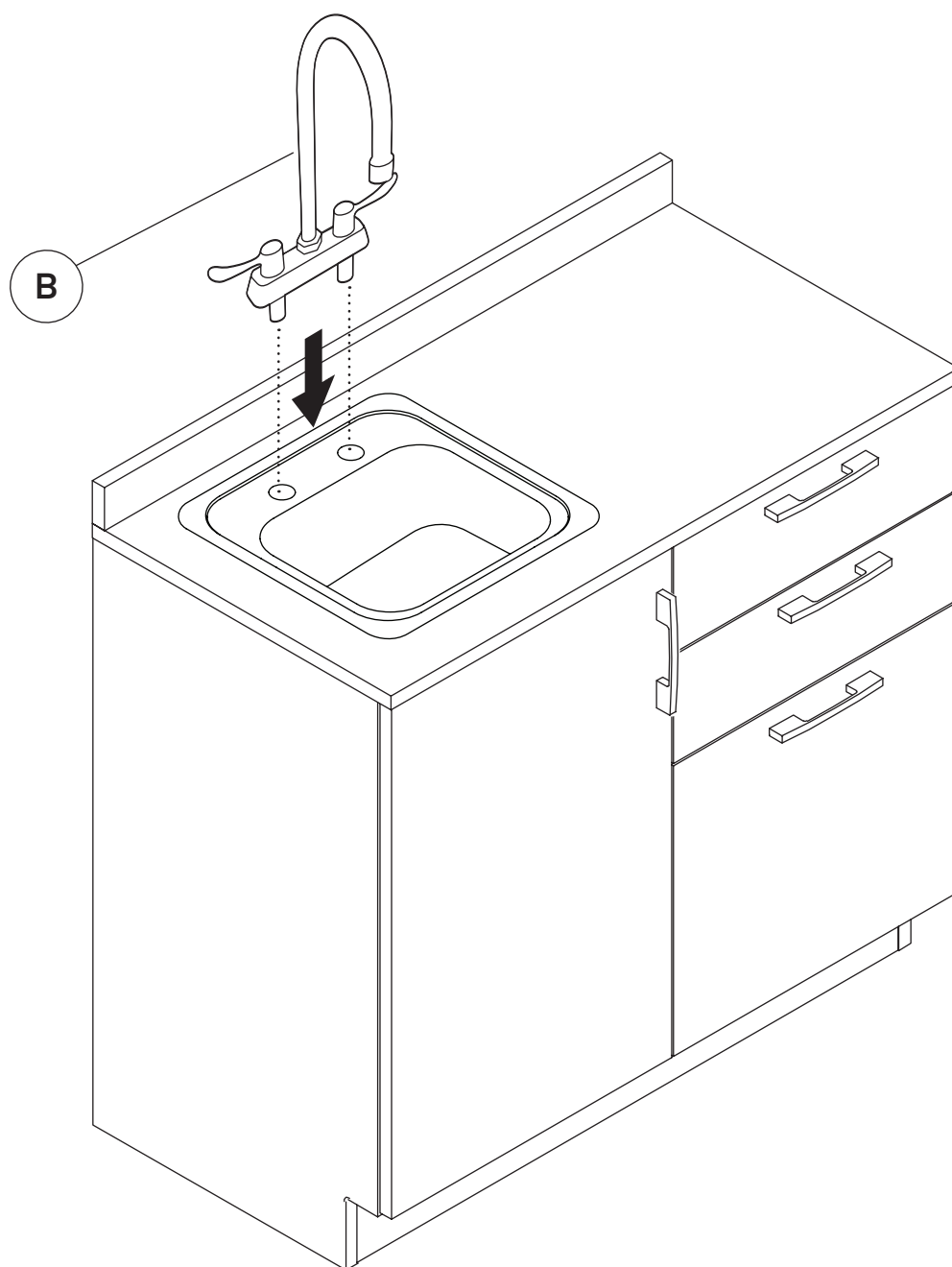


**Step 2:**

**A.** Locate your Faucet and Handles (B) and remove the following hardware on the bottom of the handles.

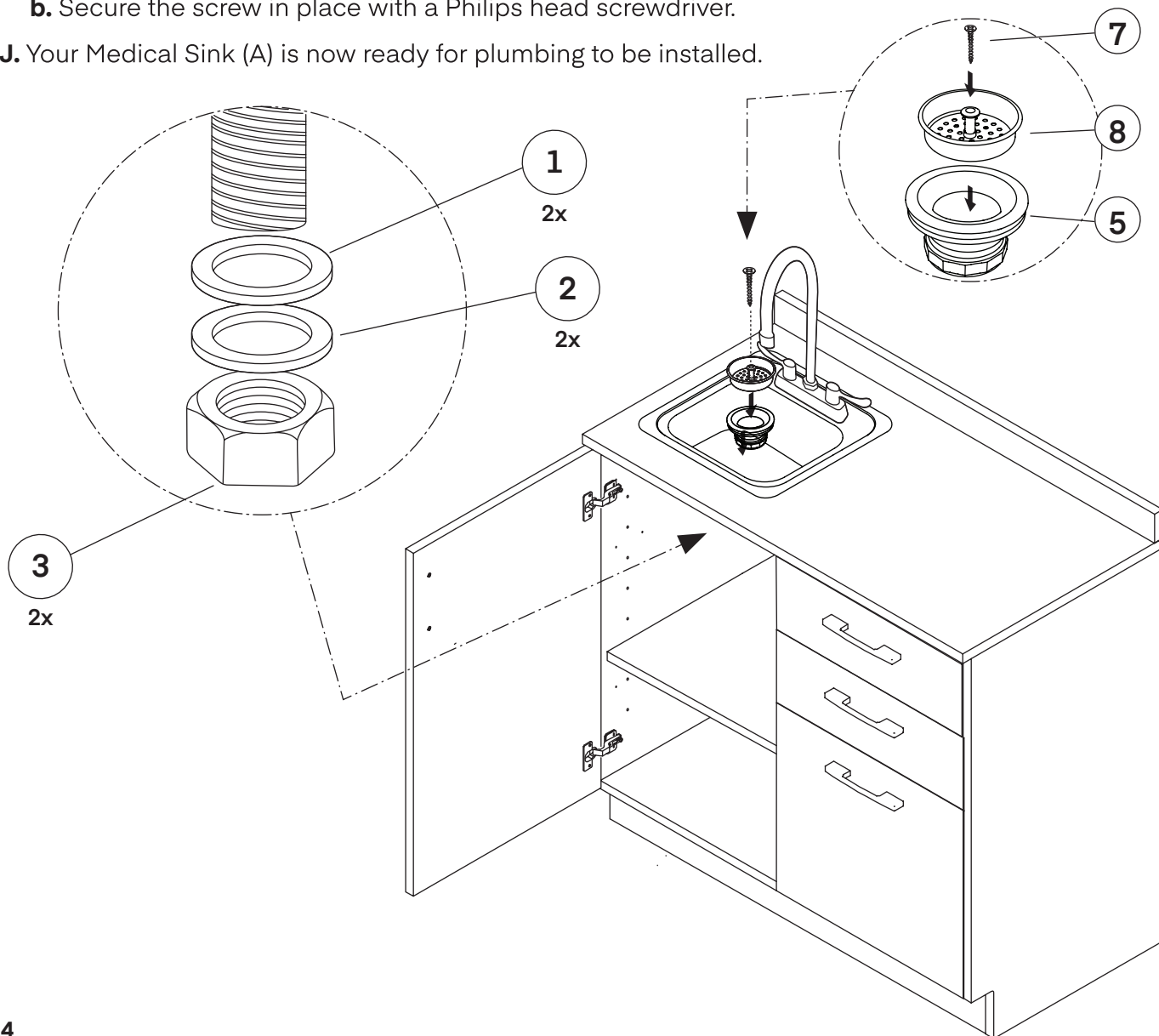
- a.** Two Rubber Washers (1).
- b.** Two Metal Washers (2).
- c.** Two Hex Nuts (3).

**B.** Place the Faucet and Handles (B) into the holes on top of the sink.



### Step 3:

- A. Open your cabinet door on your base cabinet and go under the countertop.
- B. Secure a Rubber Washer (1) to one of the metal threads that connect to the handles.
- C. Then secure a Metal Washer (2) and the Hex Nut (3).
  - a. For the Hex Nut (3), do not fully tighten just yet.
- D. Repeat the above steps for the other handle.
- E. Once all the hardware is on, firmly secure the Hex Nuts (3).
- F. Locate your included drainer and unscrew the included M6 x 20 mm Screw (7) from it.
  - a. You should have the Plastic Drainer (5), a Rubber Washer (6), an M6 x 20 mm Screw (7), and a Metal Drainer (8).
- G. Place the Rubber Washer (6) over the hole in your sink.
- H. Next, place the Metal Drainer (8) on top of the Rubber Washer (6).
- I. Place the Plastic Drainer (5) underneath the sink to match up with the hole.
  - a. Insert the M6 x 20 mm Screw (7) through the top of the Metal Drainer (8) and into the Plastic Drainer (5).
  - b. Secure the screw in place with a Philips head screwdriver.
- J. Your Medical Sink (A) is now ready for plumbing to be installed.



# Warranty

1. Adir Corp (the "Company" or "Tiger Companies") warrants to the purchaser that the product will be free from defects in workmanship and materials for a period of 3 years from the date of purchase. The warranty period is not extended if we repair, replace, exchange, or provide a refund for the product (as determined in our sole discretion). We may change the availability of this limited warranty at our discretion, but any changes will not be retroactive.
2. These warranties are not assignable or transferable to any other person, including, without limitation, any subsequent owner or other transferee of the product.
3. This Warranty does not apply to: (a) damage caused by misuse, tampering, abuse, neglect, or accident; (b) damage caused by improper installation, modification, or service; (c) alteration of the serial number; or (d) use that violates the instructions furnished by the Company will void this warranty.
4. The sole responsibility of the Company shall be limited to (a) the repair or replacement (in its sole discretion) of any component of the product which fails to conform to this; (b) a refund the purchase price of such product (in its sole discretion), at no cost to the purchaser for the period of the warranty, or (c) an exchange for a similar product, comparable in function and price.
5. Contact the Company directly at 1-(800)-805-1790 to obtain service under this warranty. If it becomes applicable to send a defective product to the Company, a Return Authorization Number must first be obtained from the Company. In order to obtain service under this warranty, purchaser may be required to provide the Company with the following items (a) proof of purchase, (b) photographs and or videos (of the damage, and (c) a written testimonial describing the defect.
6. Products shipped without prior Return Authorization and Return Authorization Number may not be accepted, and the Company will not be responsible for their disposition and/or cost of return to the owner.
7. The Company will not assume any responsibility for any loss or damage incurred in shipping and or delivery.
8. The product(s) must be returned within 14 calendar days of receiving the return authorization from the Company and must include the original proof of purchase for the warranty to be honored.
9. Any implied warranties that the purchaser may have are limited to the duration of the warranties described above. There are no further warranties that extend or apply beyond the face hereof, and the Company expressly disclaims and excludes any and all warranties of merchantability or fitness for a particular purpose. Some states do not allow limitations on how long an implied warranty lasts, so the above limitation may not apply to you.
10. THE REMEDIES DESCRIBED ABOVE ARE YOUR SOLE AND EXCLUSIVE REMEDIES AND THE COMPANY'S ENTIRE LIABILITY FOR ANY BREACH OF THIS LIMITED WARRANTY. OUR LIABILITY SHALL UNDER NO CIRCUMSTANCES EXCEED THE ACTUAL AMOUNT PAID BY YOU FOR THE DEFECTIVE PRODUCT, NOR SHALL WE UNDER ANY CIRCUMSTANCES BE LIABLE FOR ANY CONSEQUENTIAL, INCIDENTAL, SPECIAL OR PUNITIVE DAMAGES OR LOSSES, WHETHER DIRECT OR INDIRECT. SOME STATES DO NOT ALLOW THE EXCLUSION OR LIMITATIONS OF INCIDENTAL OR CONSEQUENTIAL DAMAGES, SO THE LIMITATION MAY NOT APPLY TO YOU.
11. This warranty gives you specific legal rights, and you may also have additional rights which vary from state to state.



**ADIME902-BASE-36-LS-GRY**

© 2023 AdirCorp

**adircorp.com**