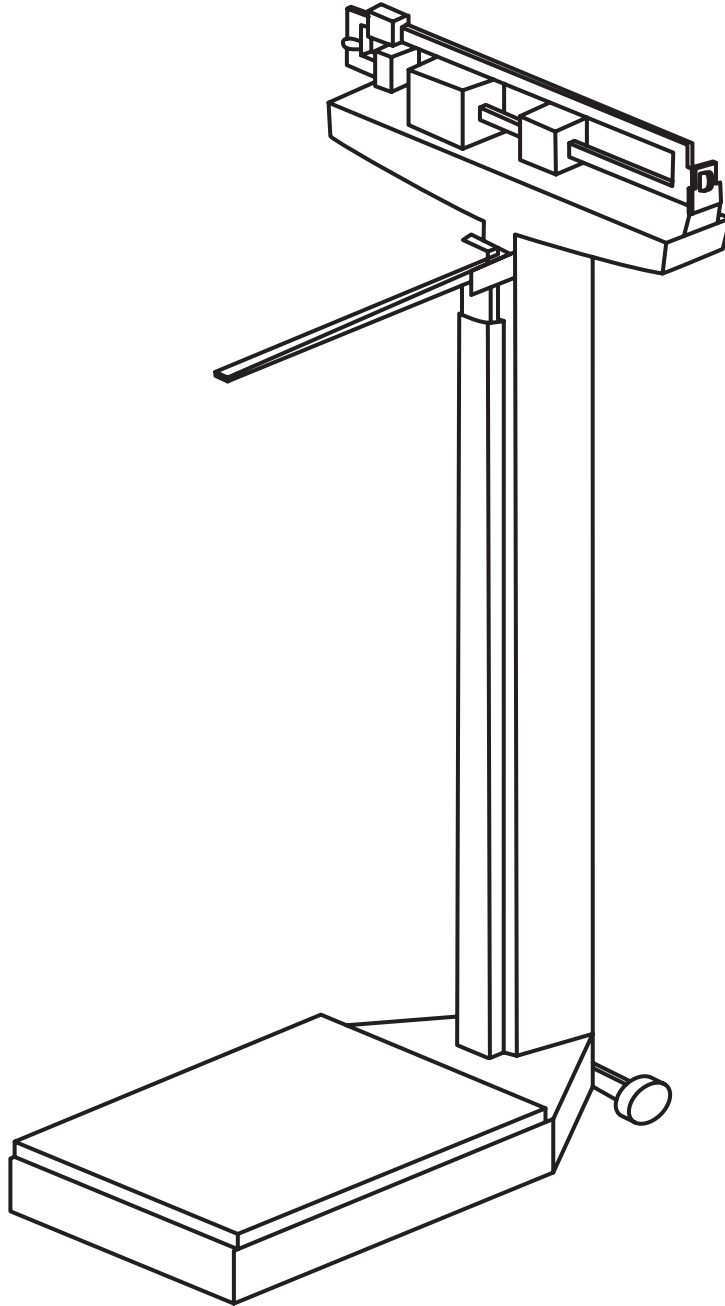


.....

PHYSICIAN BEAM SCALE

WITH HEIGHT ROD

.....



ADIME904-02

USER GUIDE



Thank you for your purchase.

Viva Comfort maintains a strong practice of ongoing development of products and commercial research.

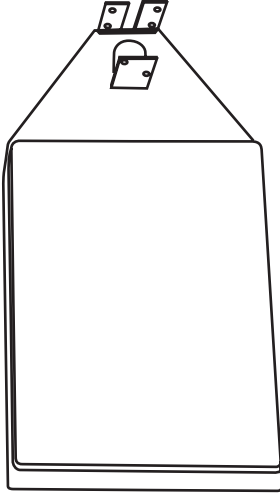
We recognize that starting and maintaining a medical practice is expensive. We'll help make the process cost-effective and elegant. Additionally, our team of specialists will ensure everything you need works as efficiently as possible, so you can effectively treat your clients.

Table of Contents

- 2** Parts List
- 3** Hardware List
- 4** Assembly Instructions
- 9** Weighing Operation
- 11** Warranty

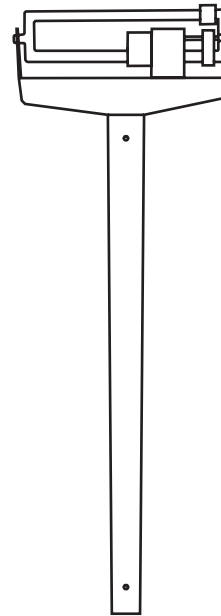
Parts List

A



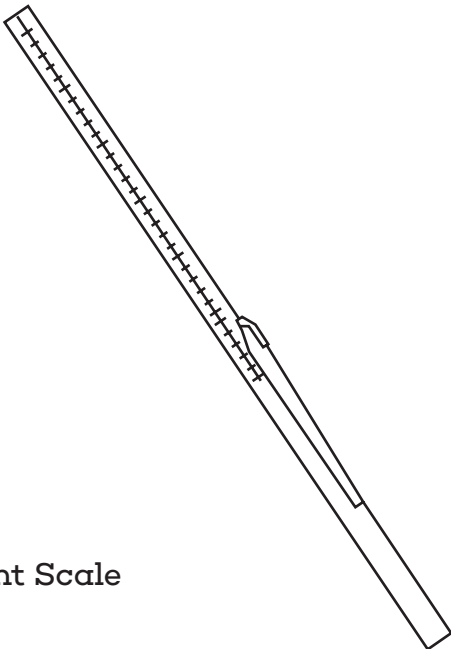
Base

B



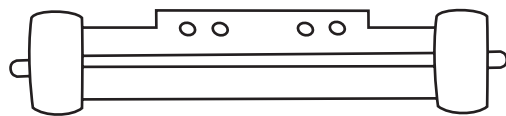
Rod

C



Height Scale

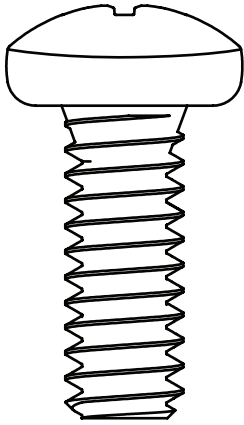
D



Wheels

Hardware List

1



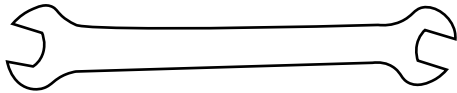
Screws (x8)

2



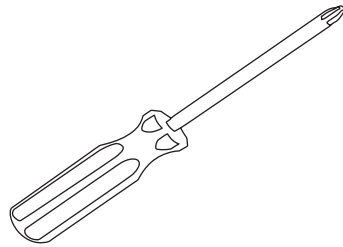
Puller

3



Wrench

4

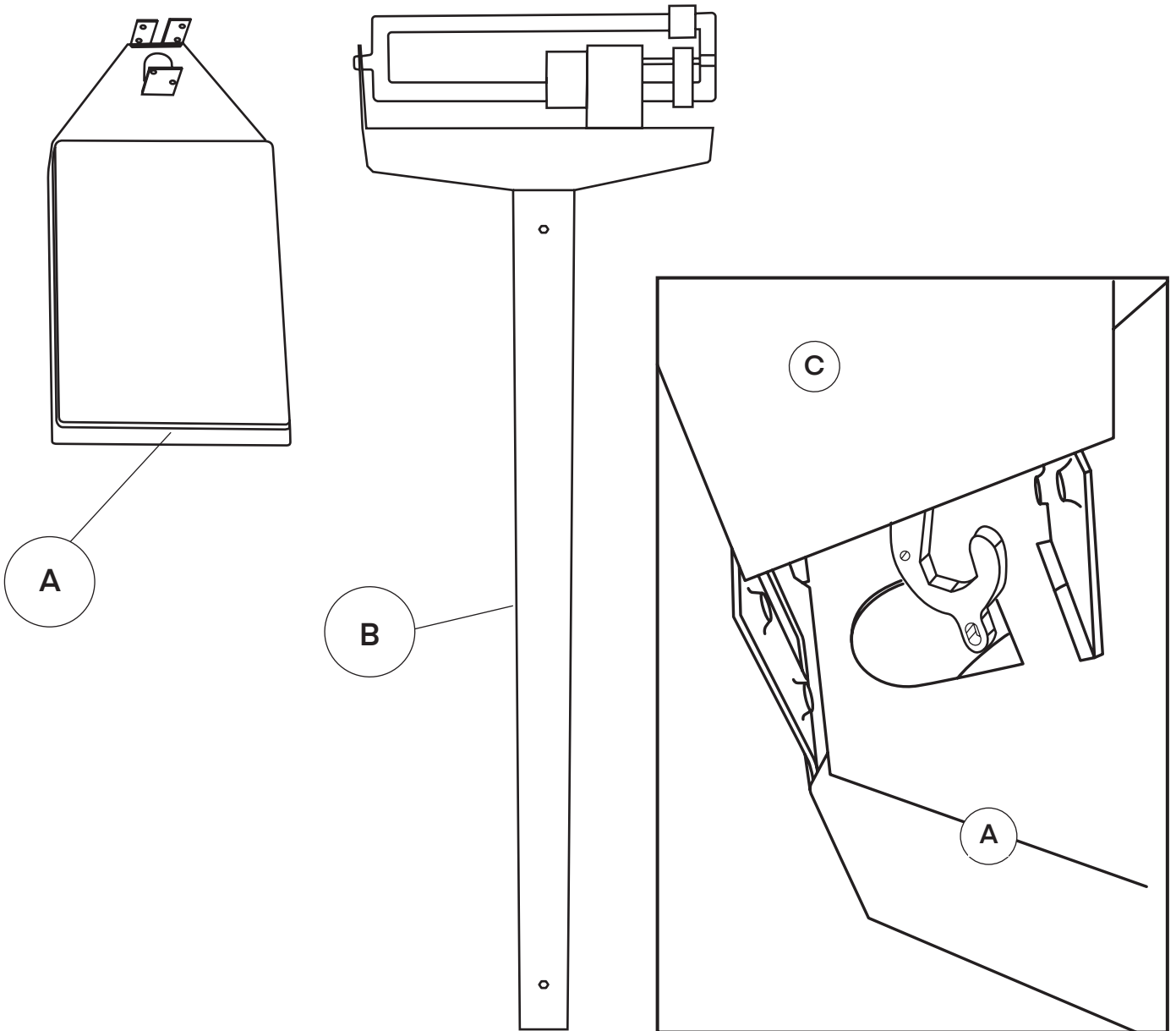


Phillips Head Screwdriver

Assembly Instructions

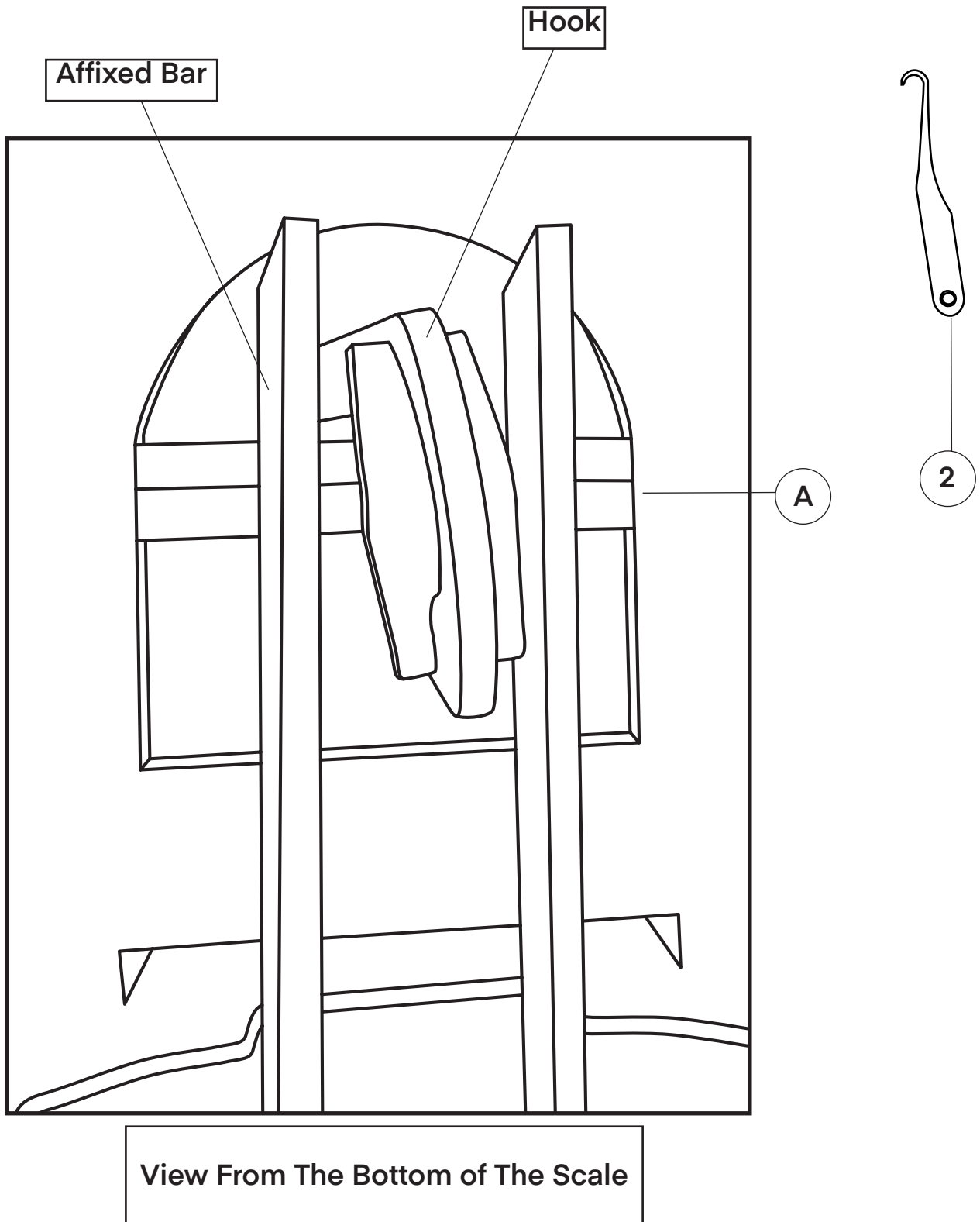
Step 1:

- A.** Ensure you have all the necessary parts and hardware prior to assembly.
- B.** Locate the Base (A) and Rod (B) and ensure the Base (A) is on a flat surface.
- C.** The Rod (B) has a hook on the bottom of it that has to be connected to the Base (A).



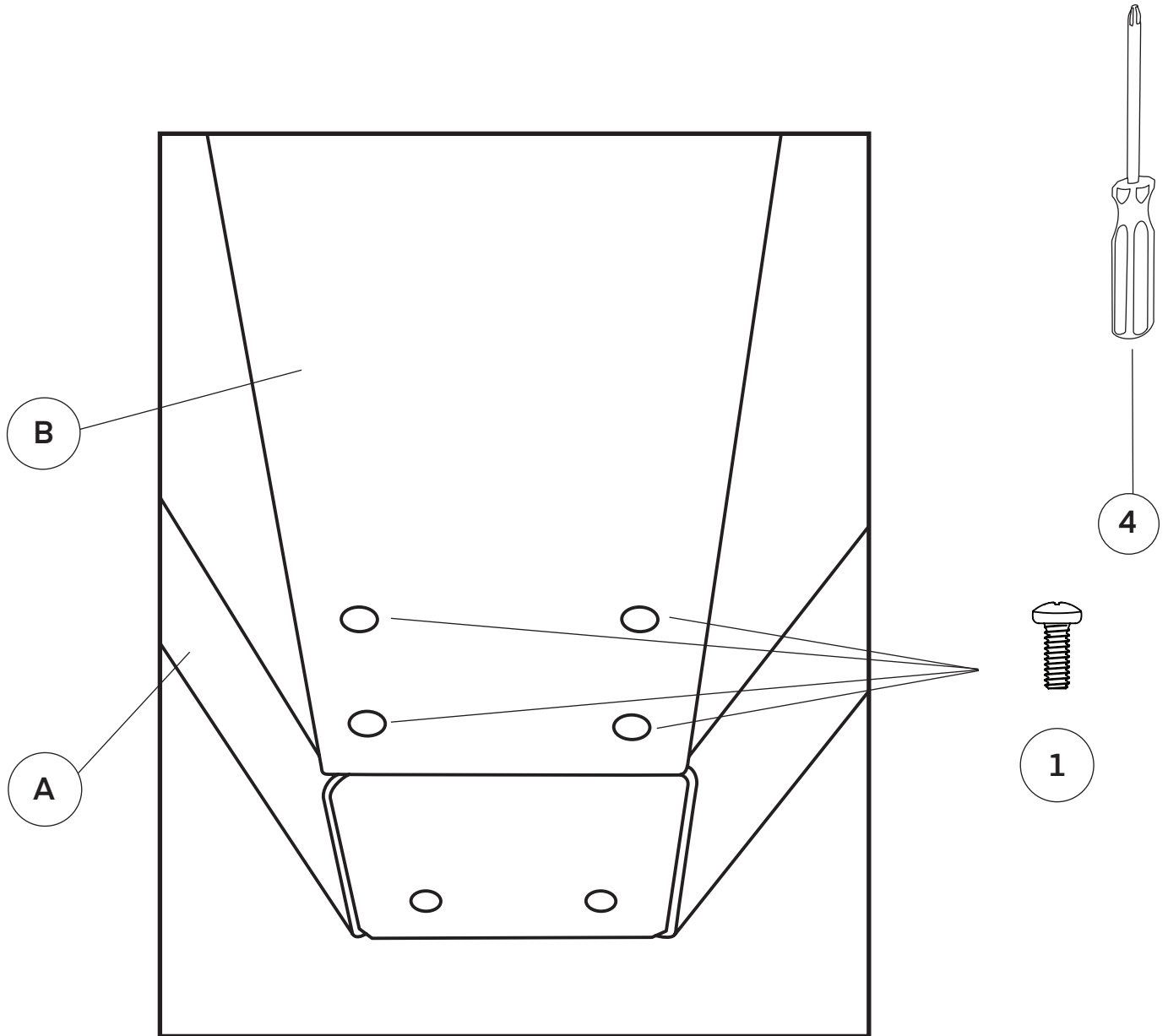
Step 2:

- A.** Insert the Rod (B) into the hole on the Base (A), making sure the logo on the Rod (B) is facing inward.
- B.** Coming from under the base, grab the hook utilizing the included Puller (2), and bring the hook down.
 - a.** For easier hook connection, you can push the attached bar towards the hook. This will facilitate the process significantly.
- C.** Ensure the hook catches on the affixed bar on the Base (A), as pictured.



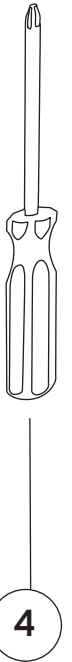
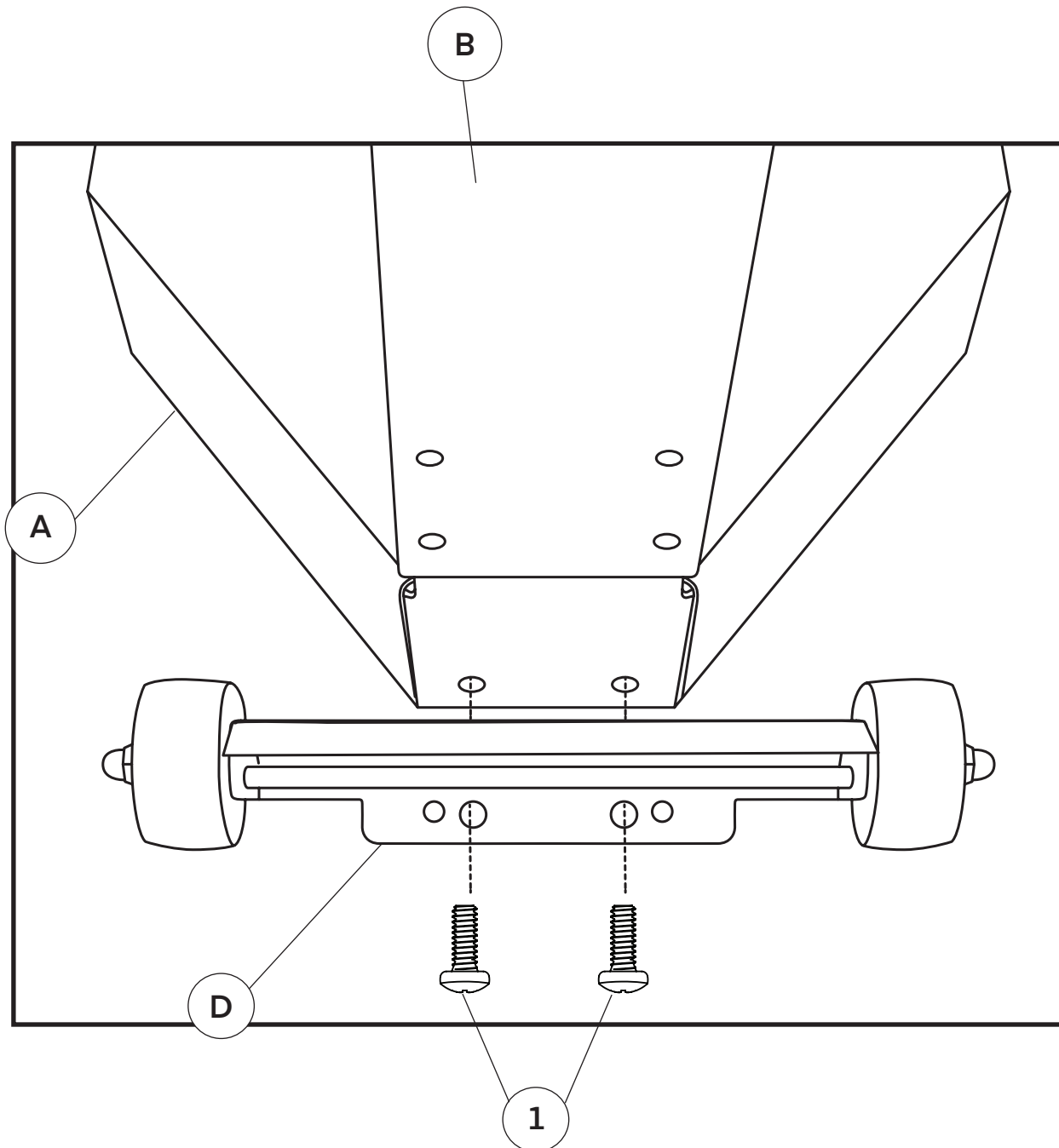
Step 3:

- A.** Once the hook is connected to the Base (A), it's time to insert 6 of the Screws (1) into the Rod (B).
- B.** You will need to add four Screws (1) to the back of the Rod (B), as pictured.
- C.** Secure them in the place with included Philips Head Screwdriver (4).
- D.** Add two Screws (1) to the front, bottom of the Rod (B).
- E.** Secure both in place with the included Philips Head Screwdriver (4).



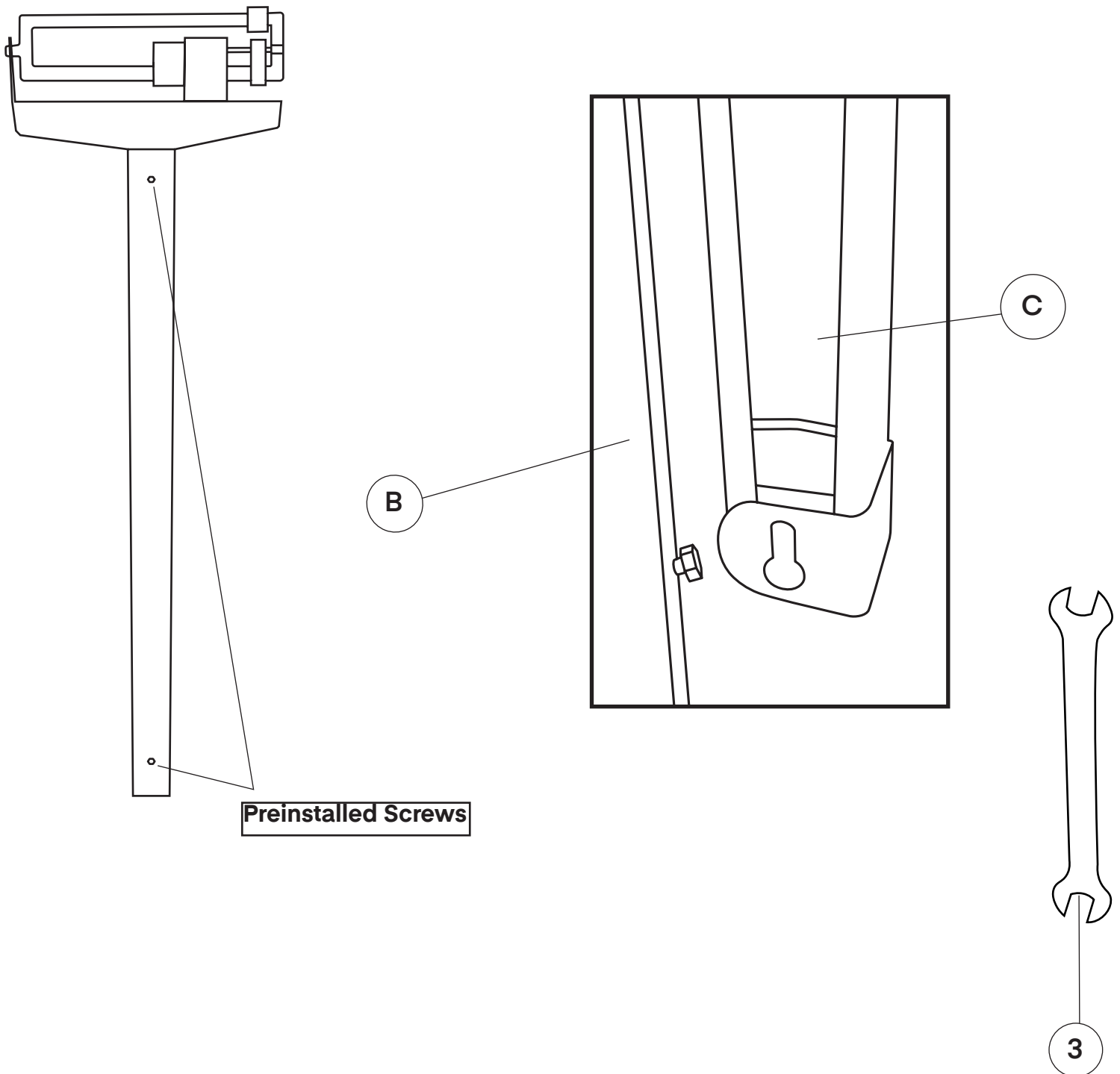
Step 4:

- A.** Locate the Wheels (D) and the two remaining Screws (1).
- B.** Line the Wheels (D) up with the two holes on the bottom, back of the Base (A).
- C.** Insert the two Screws (1) through the holes on the Wheels (D) into the Base (A).
- D.** Secure them in place with included Philips Head Screwdriver (4).

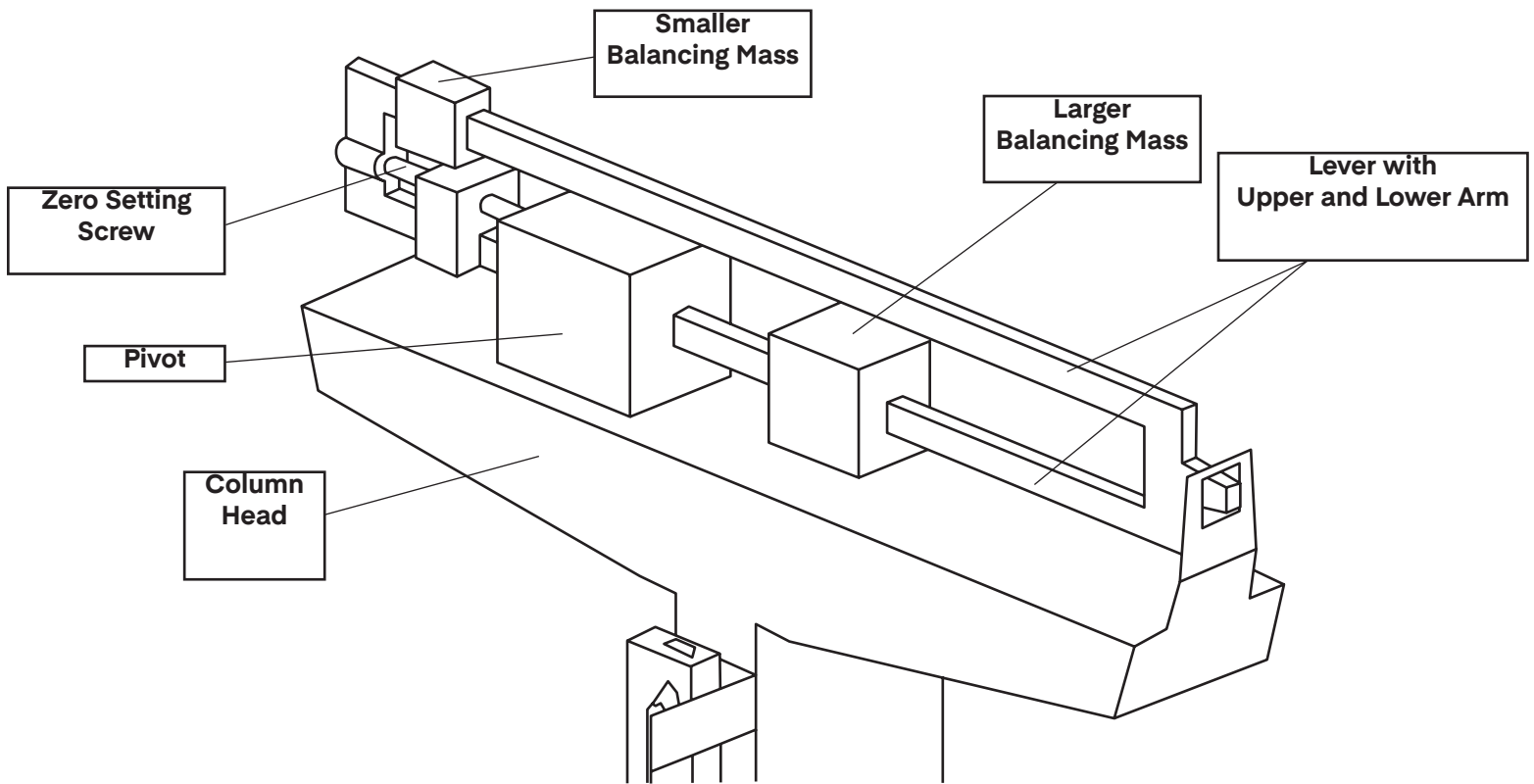


Step 5:

- A.** Locate the Height Scale (C) and on the back of it, you will notice two key holes located on the top and bottom.
 - a.** These are the points where you will adhere the Height Scale (C).
- B.** There are two, preinstalled screws on the Rod (B), as pictured.
 - a.** To unscrew and screw the included screws, utilized the included Wrench (3).
- C.** Insert the two key holes over the preinstalled screws on the Rod (B).
- D.** Slide the Height Scale (C) downward until it locks in place.
- E.** Your Physician Beam Scale with Height Rod is now ready to be used.



Weighing Operation



Performing Zero Setting:

Step 1:

- A. Ensure the scale is positioned on a flat surface to guarantee precise measurements.
- B. Adjust both balancing masses to zero when the scale's platform is unoccupied.

Step 2:

- A. Verify balance by observing the lever, which should rest horizontally.
 - a. Confirm alignment by checking if the arrow indicator aligns with the horizontal mark on the right side of the column head.
- B. If necessary, use the zero-setting screw to adjust the balance by turning it either to the right or left until the scale is appropriately balanced.

To Weigh a Person:

Step 1:

A. Have the patient step onto the scale platform.

a. The lever will shift from its initial position as the person steps onto the platform.

B. Adjust the balancing masses along the calibrated lever arms to bring the lever back to a horizontal position.

Step 2:

A. Start by moving the larger balancing mass first for primary adjustments, followed by the smaller mass for finer adjustments.

a. Ensure the lower (larger) balancing mass fits into one of the notches along the lower arm of the lever.

b. Alignment with the markings on the lower arm indicates the weight, with the upper pointer matching a marking.

B. Proceed to adjust the upper (smaller) balancing mass along the upper arm of the lever until the lever returns to its original horizontal alignment.

a. Record the reading at this point for finer weight adjustments.

b. The combined readings of both balancing masses yield the final weight of the person on the platform.

Example:

Lower Mass: 132.27 lb. (60 kg) + Upper Mass: 5.51 lb. (2.5 kg) = Total Weight of The Person: 137.78 lb. (62.5 kg)

Warranty

1. Viva Comfort (the "Company" or "Tiger Companies") warrants to the purchaser that the product will be free from defects in workmanship and materials for a period of 1 year from the date of purchase. The warranty period is not extended if we repair, replace, exchange, or provide a refund for the product (as determined in our sole discretion). We may change the availability of this limited warranty at our discretion, but any changes will not be retroactive.
2. These warranties are not assignable or transferable to any other person, including, without limitation, any subsequent owner or other transferee of the product.
3. This Warranty does not apply to: (a) damage caused by misuse, tampering, abuse, neglect, or accident; (b) damage caused by improper installation, modification, or service; (c) alteration of the serial number; or (d) use that violates the instructions furnished by the Company will void this warranty.
4. The sole responsibility of the Company shall be limited to (a) the repair or replacement (in its sole discretion) of any component of the product which fails to conform to this; (b) a refund the purchase price of such product (in its sole discretion), at no cost to the purchaser for the period of the warranty, or (c) an exchange for a similar product, comparable in function and price.
5. Contact the Company directly at 1-(800)-805-1790 to obtain service under this warranty. If it becomes applicable to send a defective product to the Company, a Return Authorization Number must first be obtained from the Company. In order to obtain service under this warranty, purchaser may be required to provide the Company with the following items (a) proof of purchase, (b) photographs and or videos (of the damage, and (c) a written testimonial describing the defect.
6. Products shipped without prior Return Authorization and Return Authorization Number may not be accepted, and the Company will not be responsible for their disposition and/or cost of return to the owner.
7. The Company will not assume any responsibility for any loss or damage incurred in shipping and or delivery.
8. The product(s) must be returned within 14 calendar days of receiving the return authorization from the Company and must include the original proof of purchase for the warranty to be honored.
9. Any implied warranties that the purchaser may have are limited to the duration of the warranties described above. There are no further warranties that extend or apply beyond the face hereof, and the Company expressly disclaims and excludes any and all warranties of merchantability or fitness for a particular purpose. Some states do not allow limitations on how long an implied warranty lasts, so the above limitation may not apply to you.
10. THE REMEDIES DESCRIBED ABOVE ARE YOUR SOLE AND EXCLUSIVE REMEDIES AND THE COMPANY'S ENTIRE LIABILITY FOR ANY BREACH OF THIS LIMITED WARRANTY. OUR LIABILITY SHALL UNDER NO CIRCUMSTANCES EXCEED THE ACTUAL AMOUNT PAID BY YOU FOR THE DEFECTIVE PRODUCT, NOR SHALL WE UNDER ANY CIRCUMSTANCES BE LIABLE FOR ANY CONSEQUENTIAL, INCIDENTAL, SPECIAL OR PUNITIVE DAMAGES OR LOSSES, WHETHER DIRECT OR INDIRECT. SOME STATES DO NOT ALLOW THE EXCLUSION OR LIMITATIONS OF INCIDENTAL OR CONSEQUENTIAL DAMAGES, SO THE LIMITATION MAY NOT APPLY TO YOU.
11. This warranty gives you specific legal rights, and you may also have additional rights which vary from state to state.



ADIME904-02

© 2024 Viva Comfort

vivacomfort.com