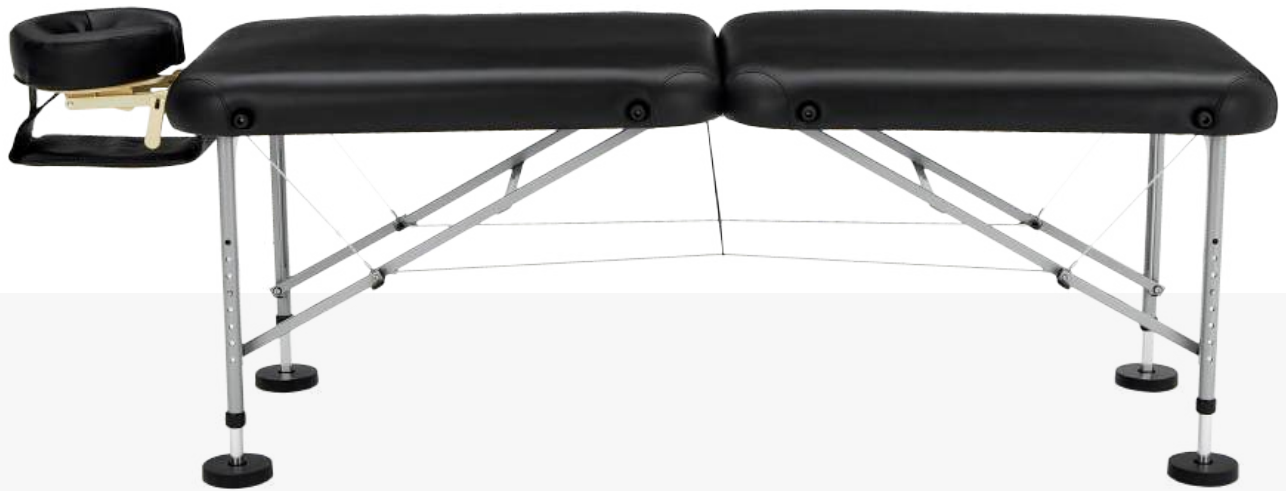




Align Portable Treatment Table

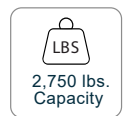




ADIME925-01-BLK

Align Portable Treatment Table

The Align Portable Treatment Table by Viva Comfort sets up in minutes, folds down just as fast, and carries easily thanks to the sturdy handles. The spring-loaded height adjustment system gives you 8 positions between 24" and 32". And with a 450 lbs. working capacity, you can focus entirely on your client, not on whether your table can handle them. The thick face cushion cradles the face naturally during prone treatments, reducing strain on the neck and making longer sessions more comfortable for the people who trust you with their care.



Product Features



Face Cradle with Cutout

Cushion Thickness 3"
Diameter 11.7"



8-Position Adjustment

Height Range
24", 25", 26", 27", 28",
29", 30", and 32"



Removable Turf Pads



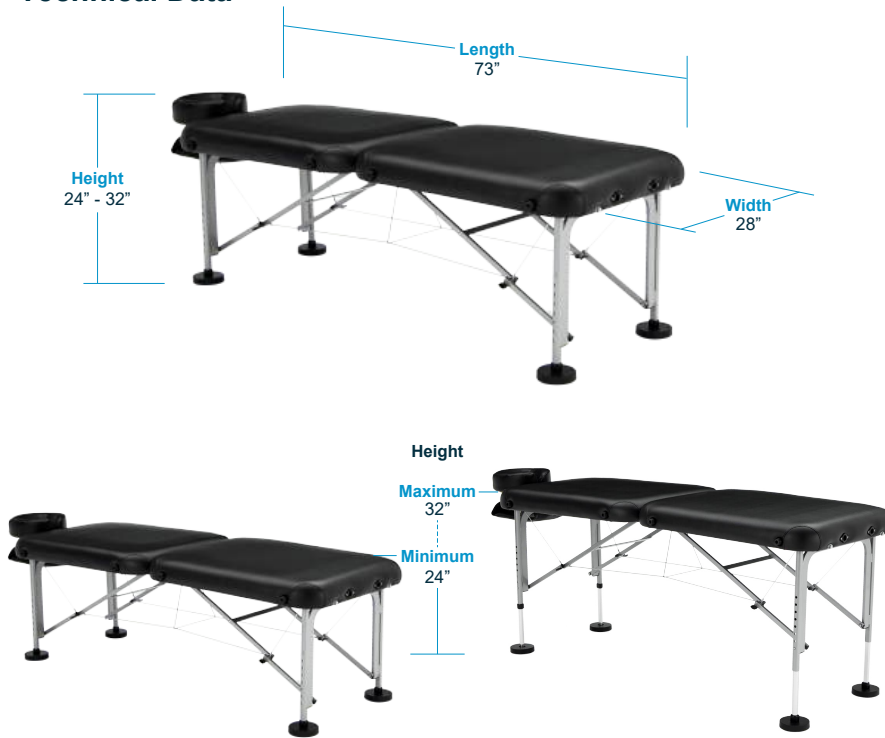
Secure Folding Latches

Rubber Feet Dimensions
0.8" H x 1.1" Diameter

Product Features

- Built to support a 450 lbs. working load and 1,000 lbs. static capacity
- Spacious 73" L x 28" W upholstered surface provides ample treatment space
- Eight spring-loaded locking height adjustment from 24" to 32" for ergonomic use
- Removable face cradle adjusts to the desired position and locks securely into place with lever
- Specialized arm sling attaches seamlessly beneath the headrest for ergonomic comfort
- Instant tool-free unfold-and-lock system allows quick setup and storage
- 3" thick face cushion with airway cutout for comfortable prone treatments
- Reversible face cushion mounts on either end of the table to extend upholstery life
- Lightweight aluminum frame weighs only 26 lbs. for easy transport
- Reinforced carrying handles withstand frequent movement and use
- Heavy-duty latches securely lock the table for transport
- Includes four removable turf pads to protect surfaces during use
- Elevated cable design provides under-table floor clearance
- Rubber side feet prevent slipping and protect flooring
- Durable vinyl upholstery resists wear and cleans easily
- 2.5-inch high-density foam cushioning on the table

Technical Data



Specifications

Dimensions	73" L x 28" W x 24" - 32" H
Materials	Foam, Vinyl Upholstery, Aluminum, Nylon, Iron, and Plastic
Weight	26 lbs.
Max Working Capacity	450 lbs.
Static Weight Capability	1,000 lbs.
Height Adjustment	24", 25", 26", 27", 28", 29", 30", and 32"
Treatment Surface Per Section	36" L x 28" W
Face Cushion Dimensions	11.7" Diameter 3" Thickness
Cable Clearance	Floor to Cable 9.4" lowest height



Carrying Handles

Dimensions 10.4" L



Carrying Bag