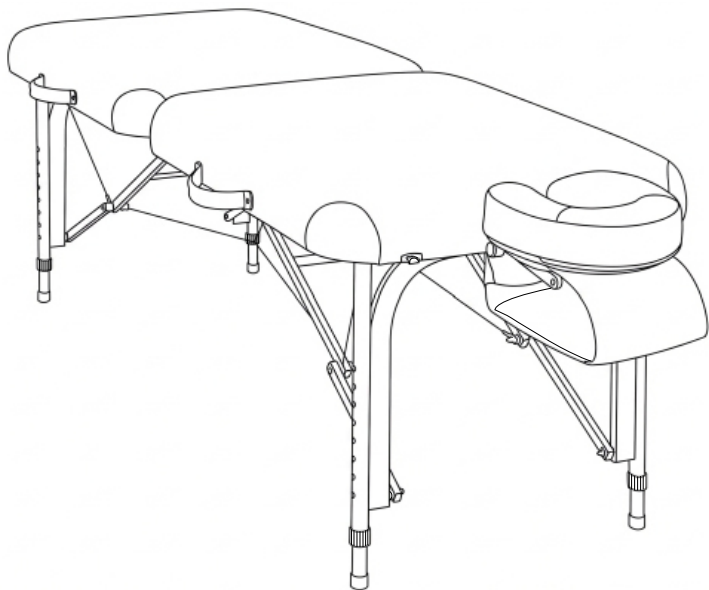


.....

# ALIGN PORTABLE TREATMENT TABLE

.....



**USER GUIDE**

**SKU: ADIME925-01-BLK**



# Thank you for your purchase.



**Viva Comfort maintains a strong practice of ongoing development of products and commercial research.**










**We recognize that starting and maintaining a medical practice is expensive. We'll help make the process cost-effective and elegant. Additionally, our team of specialists will ensure everything you need works as efficiently as possible, so you can effectively treat your clients.**

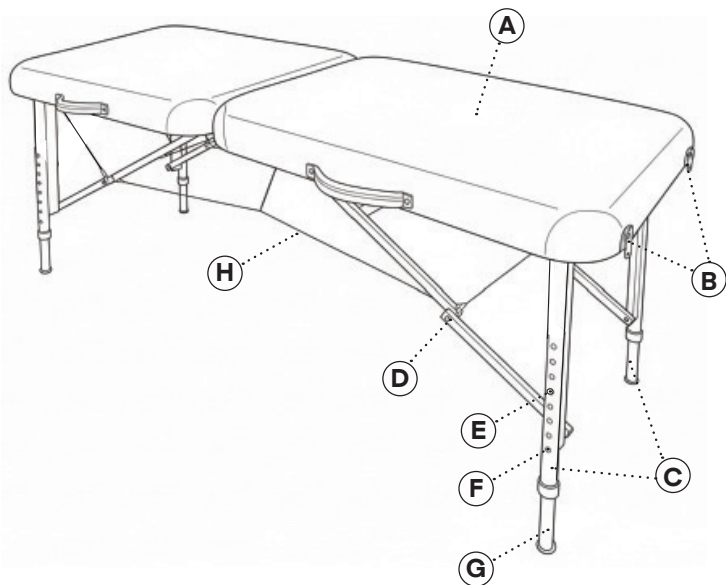
# Table of Contents

- 4 Important Warnings
- 5 Parts List
- 5 Specifications
- 6 How to Set-up Your Table
- 7 How to Close Your Table
- 8 How to Adjust Your Table Height
- 9 How to Care for Your Upholstery Fabric
- 10 Safety Instructions
- 11 Warranty

# Important Warnings

-  **Improper use of this device may cause injury.**  
Be sure to read all operating instructions before use.
-  **Check the padding and upholstery when unpacking the table.**  
Do not use the device if any signs of damage are present. (Our warranty excludes damage caused by improper set-up, accident, abuse, or use for unintended purposes).
-  **Weight Limit (Including Client and Accessories):**  
**Max Working Capacity:** 450 lbs / 204 kgs  
**Static Weight Capability:** 2,750 lbs / 1250 kgs
-  **Be certain that the table is completely and correctly set, ensuring it is level and stable, prior to supporting a patient.**  
An unstable table may cause the patient to lose balance and fall.
-  **Do not put excessive weight or pressure on the face rest or table extenders.**  
Do not expose the product to extreme moisture or temperature.
-  **Please be certain to keep the massage table away from children and pets, as it is not a toy.**
-  **Warning:**  
Aggressive disinfectants may damage your upholstery fabric. Damages caused by the use of disinfectants are not covered by our warranty.

# Parts List



<b>A</b>	Upholstered Top	<b>B</b>	Latches
<b>C</b>	Legs	<b>D</b>	Leg Braces
<b>E</b>	Spring Loaded Button	<b>F</b>	Height Adjustment Hole
<b>G</b>	Inner Leg	<b>H</b>	Table

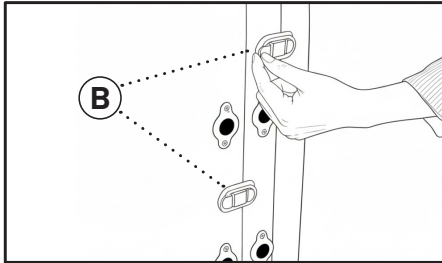
## Specifications

**Product Dimensions:** 73" L x 28" W x 24"- 32" H

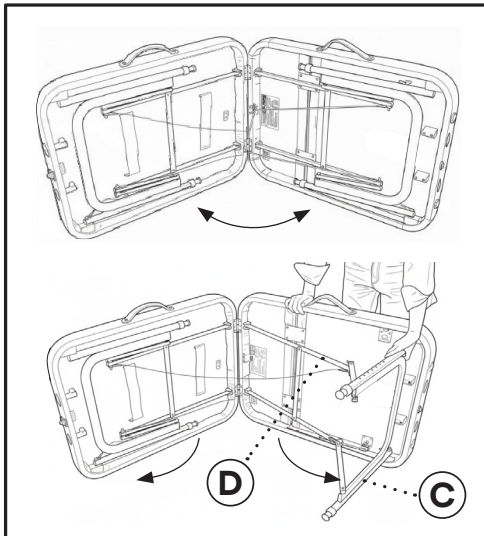
**Weight Capacity:** 26 lbs.

# How to Set-up Your Table

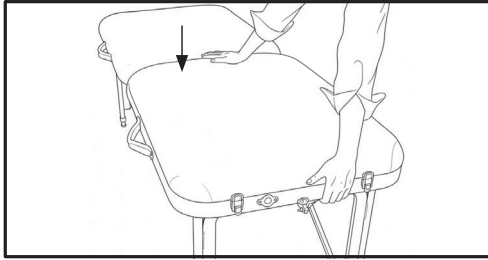
- A.** Place the folded Table (H) on its side, ensuring the protective rubber feet are touching the floor.
- B.** Unfasten the Latches (B) and carefully unfold the table.



- C.** As you unfold the Table (H), the Legs (C) will extend partially; manually raise and secure them by gently pressing the Leg Braces (D) upward at the joint until locked.



- D.** Tilt the Table (H) upright until all four feet rest firmly on the floor. Lift one end of the table and press down on the center to apply tension to the cables.

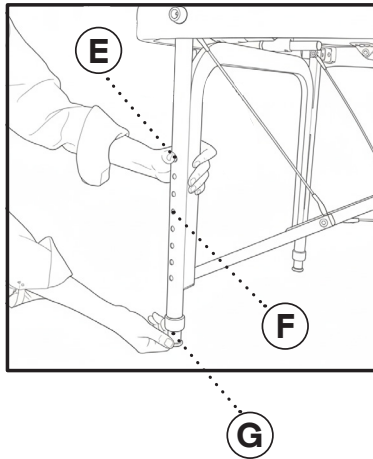


## How to Close Your Table

- A.** Lay the Table (H) down on the side with the protective rubber feet.
- B.** Release the Leg Braces (D) by gently applying pressure at the joints.
- C.** Begin folding the Table (H).
- D.** The Legs (C) will start to retract but they must be manually pushed inward to fold completely.
- E.** When the table is completely folded, fasten the Latches (B).

# How to Adjust Your Table Height

- A.** Press in the Spring Loaded Button (E).
- B.** Slide Inner Leg (G) either up or down to the desired height.
- C.** Let the Spring Loaded Button (E) lock into the nearest Height Adjustment Hole (F).
- D.** Repeat this process with all four legs.



# How to Care for Your Upholstery Fabric

- **Avoid Cold Temperature:** Do not store the table in unheated areas during cold weather. Excessive cold can cause the upholstery to become brittle and crack.
- **Avoid Extreme Heat:** Keep the table away from heaters, electrical appliances, and direct sunlight. Do not leave the table inside a vehicle during hot weather, as heat can cause the upholstery to stretch or pucker.
- **Use Protective Covers:** Always protect the table and accessories with linens. We recommend using a 100% Cotton Flannel Sheet Set or a Fleece Sheet Set.
- **Daily Cleaning:** Clean the upholstery daily to prevent oil buildup and dirt, which lead to cracking and permanent staining. We recommend a mild detergent solution; a common effective mix is water with a small amount of antibacterial dish soap in a spray bottle. Wipe down with a clean, damp towel.
- **Rotate Usage:** Occasionally switch the face rest to the opposite end of the table to ensure even wear across the entire surface.
- **Prevent Physical Damage:** Take care to protect the surface from general abrasions, cuts, and punctures.



## CAUTION:

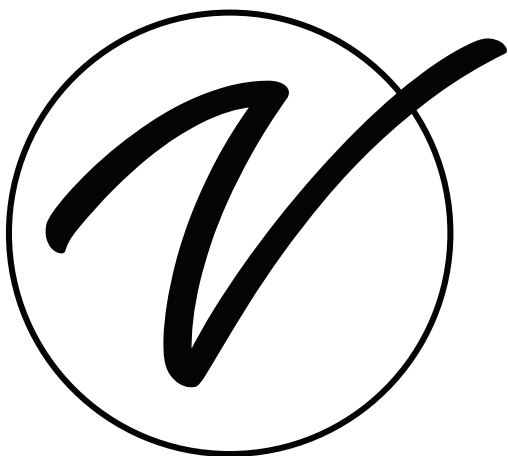
- **Do not use alcohol:** Wiping the surface with alcohol will dry out the vinyl and cause it to crack.
- **Temperature Damage:** Prolonged exposure to extremetemperatures may cause permanent damage to the vinyl.

# Safety Instructions

- Check all connections and the steel cables on a yearly base.
- Contact us in case of safety-relevant signs of wear.  
Unauthorized modification or alteration of this product is prohibited.

# Warranty

1. Viva Comfort (the "Company" or "Tiger Companies") warrants to the purchaser that the product will be free from defects in workmanship and materials for a period of 1 year from the date of purchase. The warranty period is not extended if we repair, replace, exchange, or provide a refund for the product (as determined in our sole discretion). We may change the availability of this limited warranty at our discretion, but any changes will not be retroactive.
2. These warranties are not assignable or transferable to any other person, including, without limitation, any subsequent owner or other transferee of the product.
3. This Warranty does not apply to: (a) damage caused by misuse, tampering, abuse, neglect, or accident; (b) damage caused by improper installation, modification, or service; (c) alteration of the serial number; or (d) use that violates the instructions furnished by the Company will void this warranty.
4. The sole responsibility of the Company shall be limited to (a) the repair or replacement (in its sole discretion) of any component of the product which fails to conform to this; (b) a refund the purchase price of such product (in its sole discretion), at no cost to the purchaser for the period of the warranty, or (c) an exchange for a similar product, comparable in function and price.
5. Contact the Company directly at 1-(800)-805-1790 to obtain service under this warranty. If it becomes applicable to send a defective product to the Company, a Return Authorization Number must first be obtained from the Company. In order to obtain service under this warranty, purchaser may be required to provide the Company with the following items (a) proof of purchase, (b) photographs and or videos (of the damage, and (c) a written testimonial describing the defect.
6. Products shipped without prior Return Authorization and Return Authorization Number may not be accepted, and the Company will not be responsible for their disposition and/or cost of return to the owner.
7. The Company will not assume any responsibility for any loss or damage incurred in shipping and or delivery.
8. The product(s) must be returned within 14 calendar days of receiving the return authorization from the Company and must include the original proof of purchase for the warranty to be honored.
9. Any implied warranties that the purchaser may have are limited to the duration of the warranties described above. There are no further warranties that extend or apply beyond the face hereof, and the Company expressly disclaims and excludes any and all warranties of merchantability or fitness for a particular purpose. Some states do not allow limitations on how long an implied warranty lasts, so the above limitation may not apply to you.
10. THE REMEDIES DESCRIBED ABOVE ARE YOUR SOLE AND EXCLUSIVE REMEDIES AND THE COMPANY'S ENTIRE LIABILITY FOR ANY BREACH OF THIS LIMITED WARRANTY. OUR LIABILITY SHALL UNDER NO CIRCUMSTANCES EXCEED THE ACTUAL AMOUNT PAID BY YOU FOR THE DEFECTIVE PRODUCT, NOR SHALL WE UNDER ANY CIRCUMSTANCES BE LIABLE FOR ANY CONSEQUENTIAL, INCIDENTAL, SPECIAL OR PUNITIVE DAMAGES OR LOSSES, WHETHER DIRECT OR INDIRECT. SOME STATES DO NOT ALLOW THE EXCLUSION OR LIMITATIONS OF INCIDENTAL OR CONSEQUENTIAL DAMAGES, SO THE LIMITATION MAY NOT APPLY TO YOU.
11. This warranty gives you specific legal rights, and you may also have additional rights which vary from state to state.



**ADIME925-01-BLK**

© 2026 Viva Comfort

**vivacomfort.com**