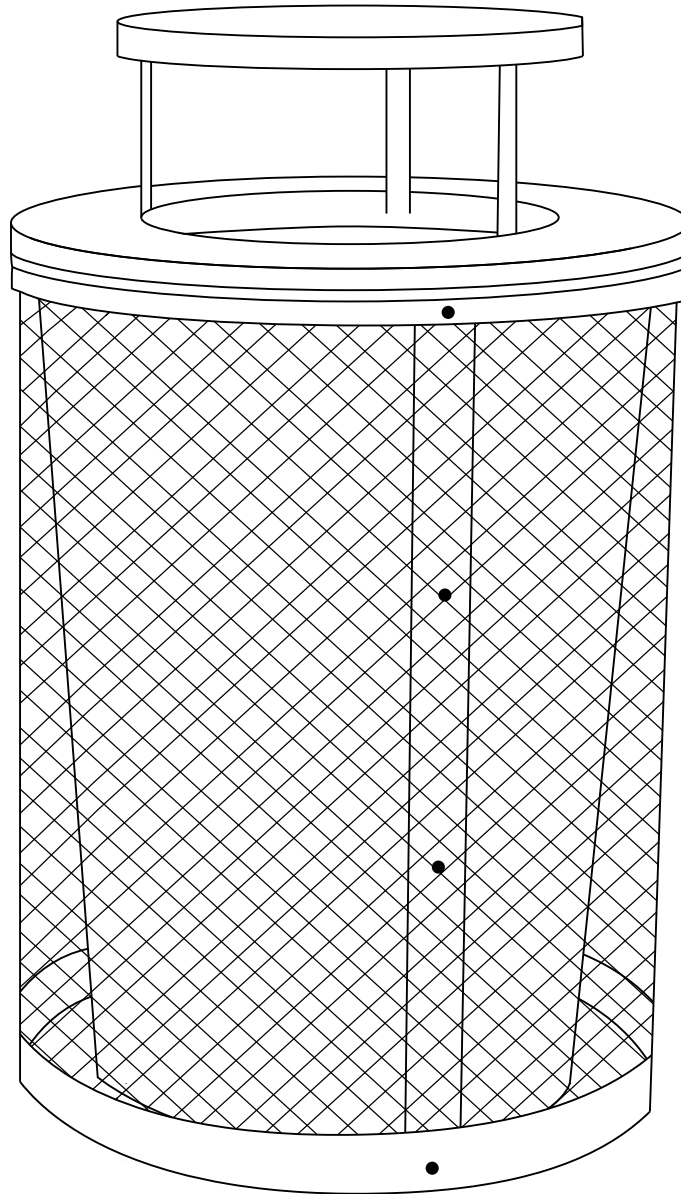


.....

# 36 GALLON, ROUND DIAMOND STEEL TRASH CAN

.....



## **USER GUIDE**

**SKU: ALP4460-SERIES**



# Thank you for your purchase.



**Alpine maintains a strong  
practice of ongoing  
development of products and  
commercial research.**



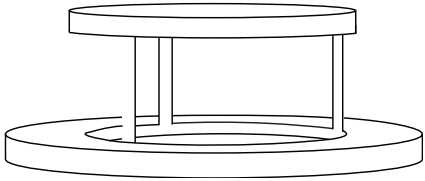
Combining commitment to the customer, design innovation and skilled, dedicated workforces, they have produced a range of products that are an essential part of every commercial facility. Every product is designed to the highest standards, enabling you to get your requirements done in a reliable and cost-effective way.

# Table of Contents

- 2** Parts List
- 3** Hardware List
- 4** Assembly Instructions
- 10** Warranty
- 11** Notes

# Parts List

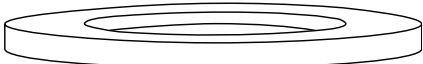
**A**



Rain Bonnet (Dependent On Purchse)

A technical drawing of a rain bonnet, which consists of a flat circular top supported by two vertical posts, all resting on a flat circular base.

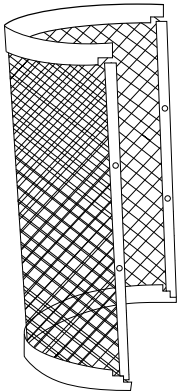
**B**



Flat Lid (Dependent On Purchse)

A technical drawing of a flat lid, shown as a simple, thin, circular disc.

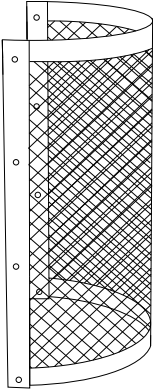
**C**



Trash Can Side A

A technical drawing showing a side view of a trash can with a mesh body. The drawing is cut away to reveal the internal structure, including a vertical support and a bottom panel.

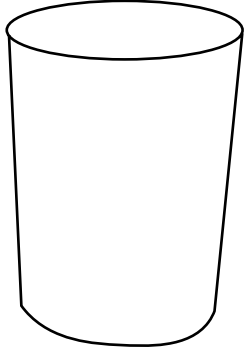
**D**



Trash Can Side B

A technical drawing showing another side view of the trash can with a mesh body, highlighting the mesh pattern and the top rim.

**E**




Liner

A technical drawing of a trash can liner, depicted as a simple, tapered cylindrical shape.

# Hardware List

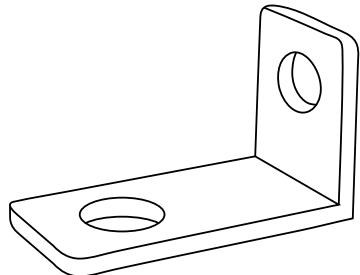
**1**



Retaining Cable

A retaining cable with two loops at each end, used for securing equipment.

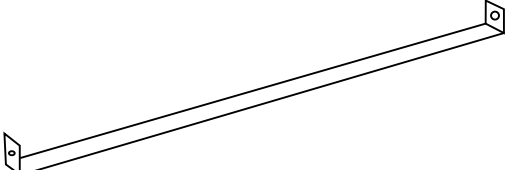
**2**



Mounting Bracket (x2)

An L-shaped mounting bracket with a circular hole on the horizontal flange and another on the vertical flange.

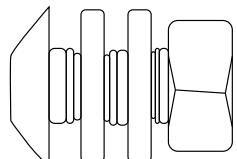
**3**



Base Extender (x2)

A long, thin metal base extender with a small circular hole at each end.

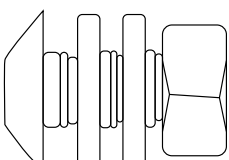
**4**



M8+20 mm Bolt, Washers and Nut (x 2)

A set of hardware including a bolt, two washers, and a nut.

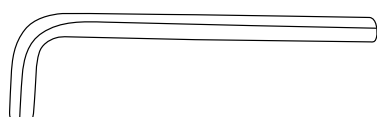
**5**



M8+16 mm Bolt, Washers and Nut (x 12)

A set of hardware including a bolt, two washers, and a nut.

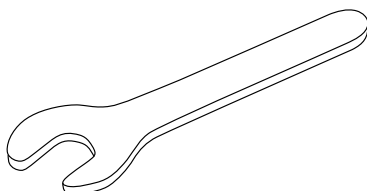
**6**



Allen Key

An L-shaped Allen key used for tightening bolts.

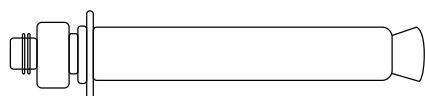
**7**



Wrench

A standard open-end wrench.

**8**



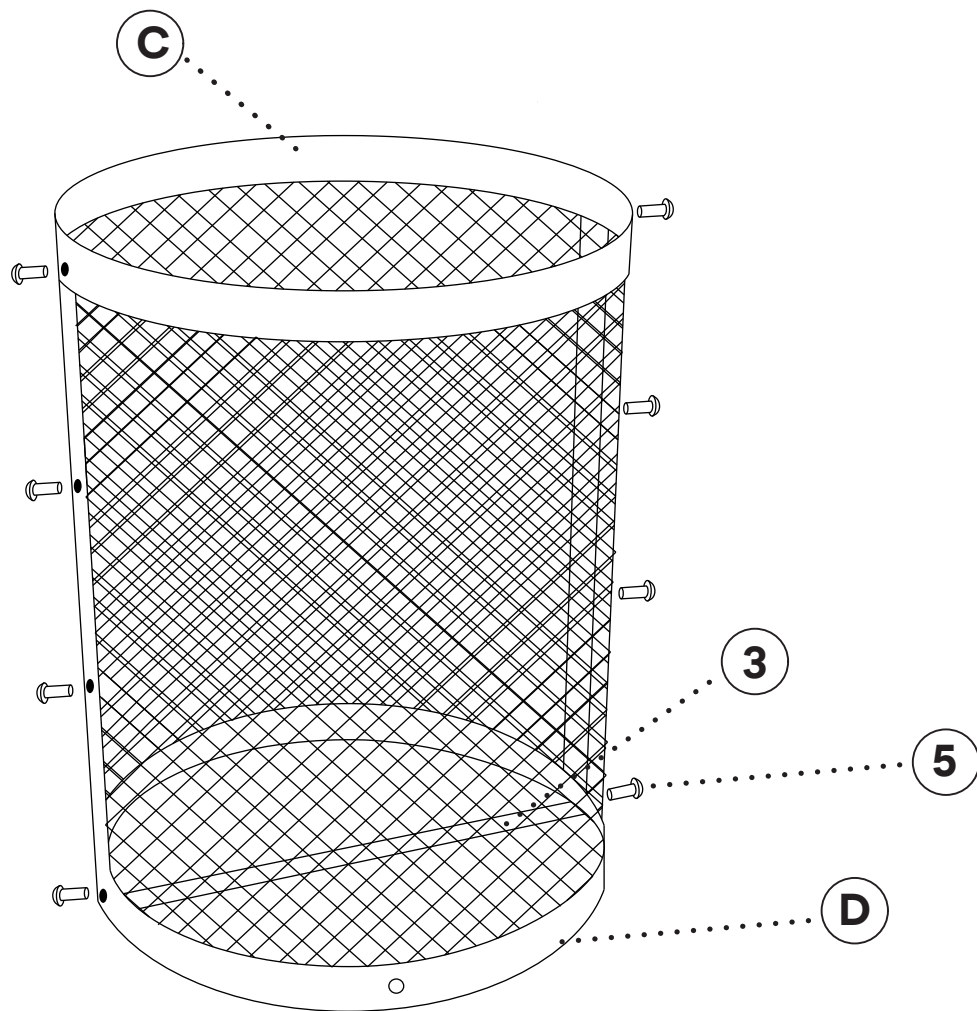
Anchor Bolt (x2)

An anchor bolt with a threaded end and a smooth end with a hexagonal head.

# Assembly Instructions

## Step 1:

- A.** Prior to beginning, it is best to utilize two people for assembly.
- B.** Locate Trash Can Side A (C), Trash Can Side B (D), one of the Base Extender's (3), all M8 + 16mm Bolt, Washers, and Nuts (5), the included Wrench (7) and Allen Key (6).
- C.** Stand both trash can sides up and have them overlap so all the predrilled holes on the sides line up.
  - a.** Have someone place the Base Extender (3) in the bottom of the trash can and line the holes of the Base Extender (3) up with the holes on the seams of the trash can, as pictured below.
- D.** Insert the bolt from the M8 + 16mm (5) set through the bottom hole of the can and one side of the Base Extender (3).
  - a.** Place both washers onto the bolt and thread the nut onto the bolt, but do not over tighten.
  - b.** Repeat the above for the other side of the Base Extender (3).

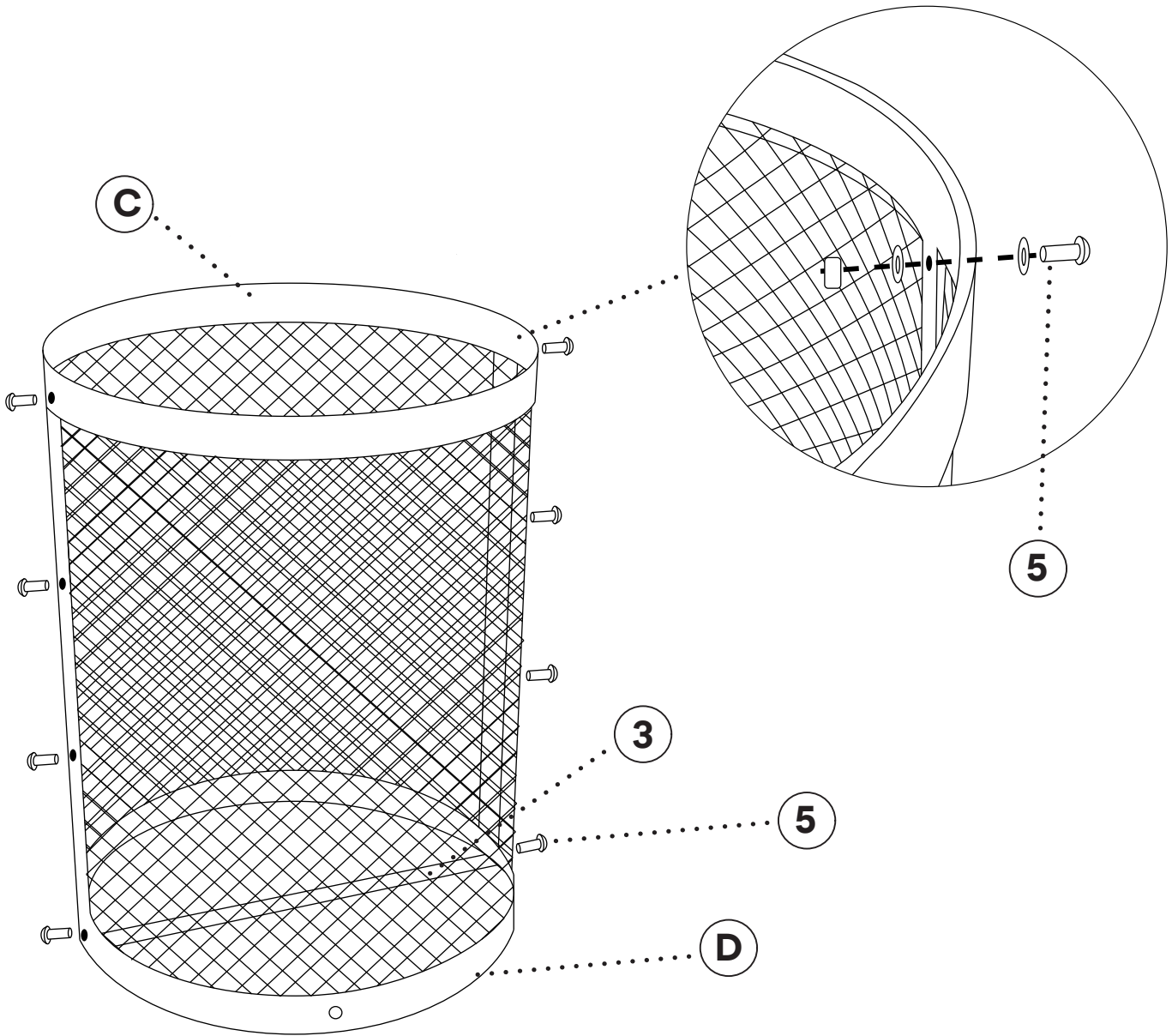


**Step 2:**

**A.** For the remaining six holes along the seams of the trash can, insert the bolt from the M8 + 16mm (5) set through the bottom hole of the can and the one side of the Base Extender (3).

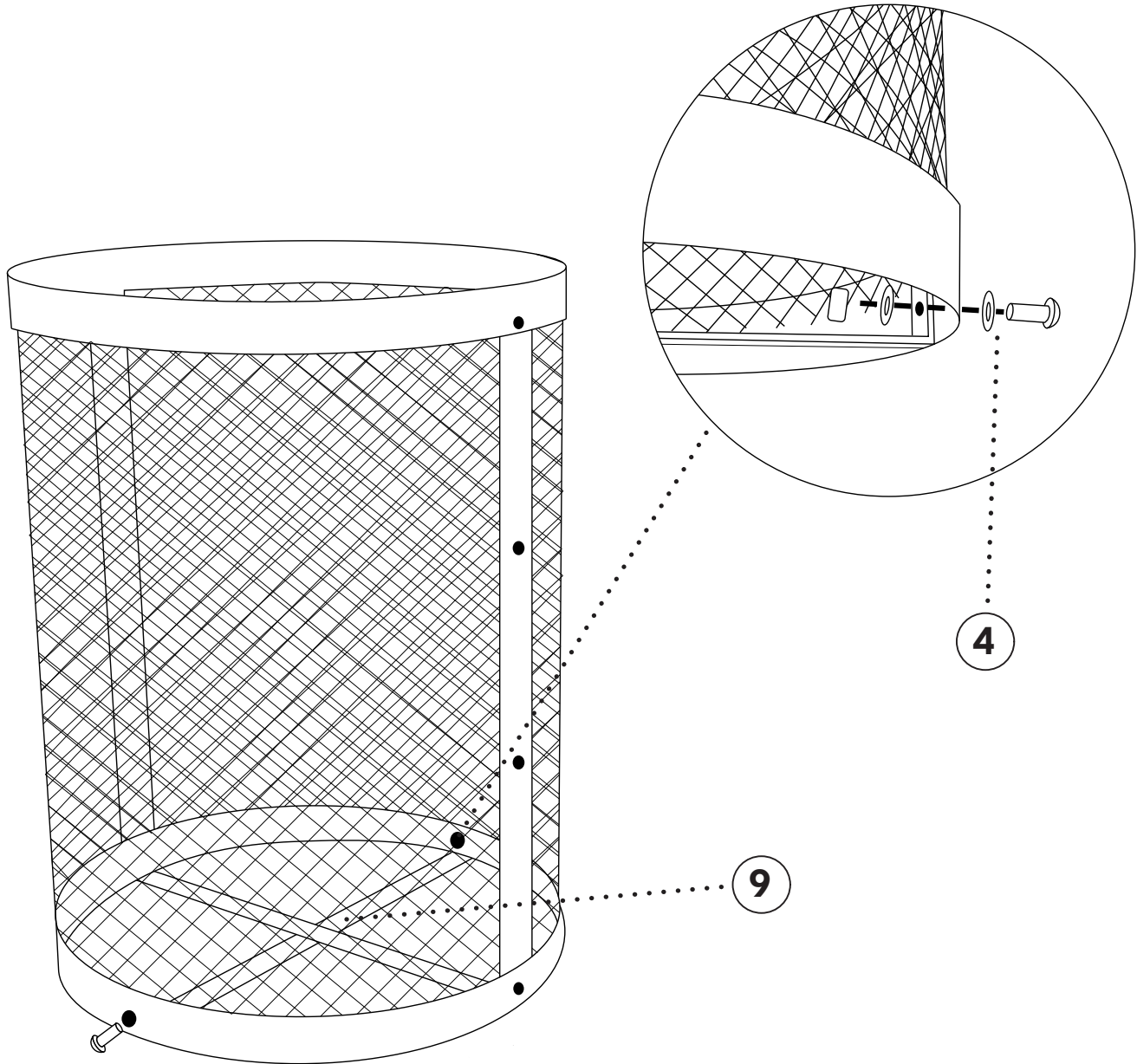
**a.** Place both washers onto the bolt and thread the nut onto the bolt, but do not over tighten.

**B.** Starting from the bottom up, tighten all bolts using both the included Allen Key (6) and Wrench (7).



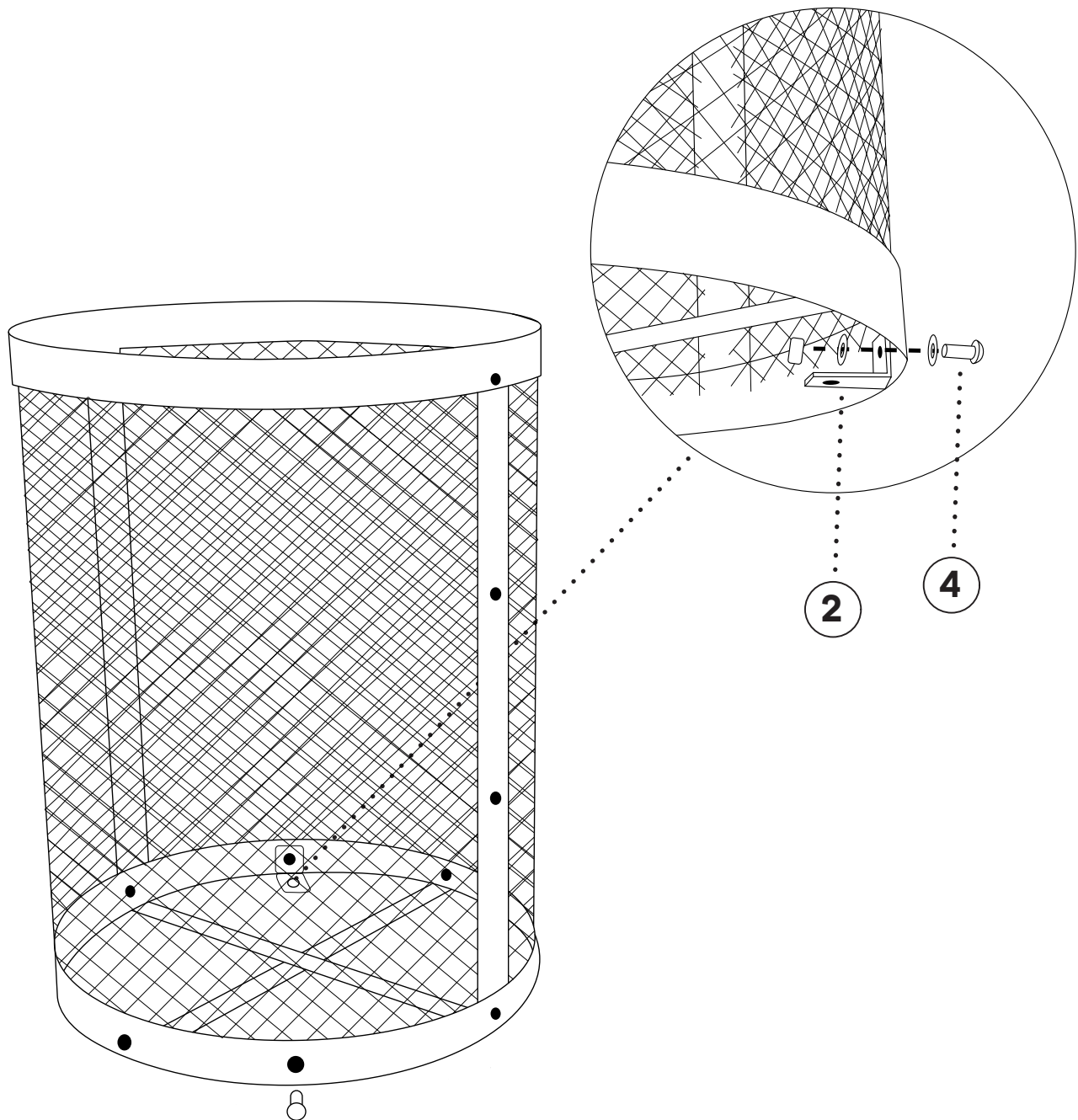
**Step 3:**

- A.** Insert the second Base Extender (3) and secure it in place with two M8 + 16mm Bolt, Washers, and Nuts (5).
- B.** Secure both in place with the Allen Key (6) and Wrench (7).



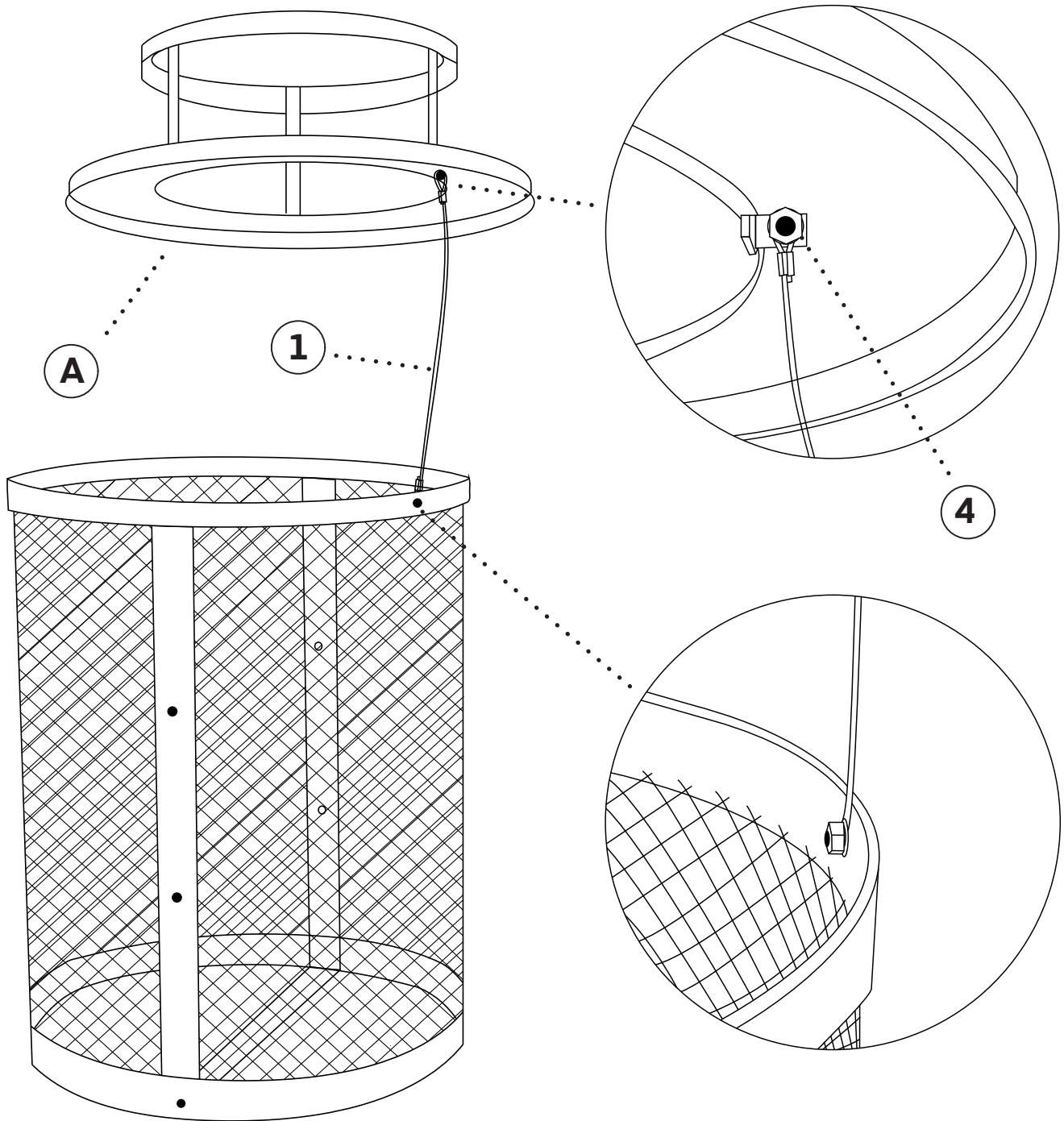
**Step 4:**

- A.** Locate both Mounting Brackets (2) and place them against the predrilled holes in the bottom of the can, opposite to the Base Extenders (3)
  - a.** Ensure the other flat side is resting against the ground.
- B.** Secure them both in place with two M8 + 16mm Bolts, Washers, and Nuts (5).
- C.** Utilize the Allen Key (6) and Wrench (7) to fasten the bolts.



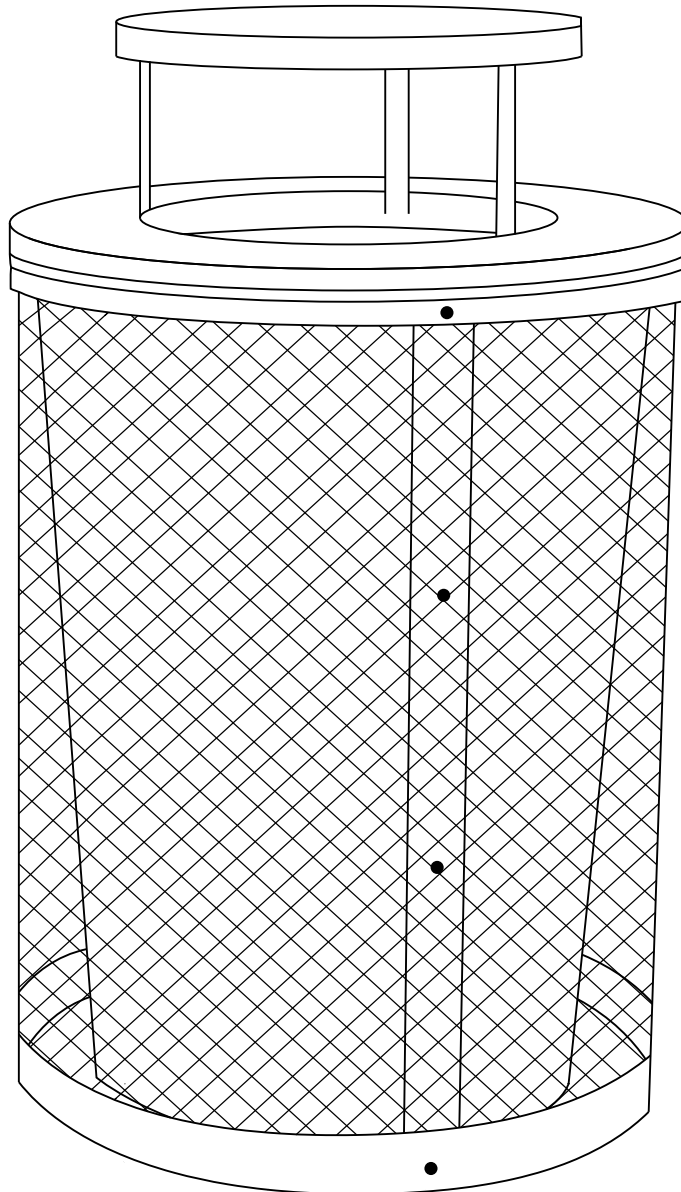
**Step 5:**

- A.** If you ordered either the Rain Bonnet (A) or Flat Lid (B), to attach the lid to the can locate the Retaining Cable (1), both M8 + 20mm Bolt, Washers, and Nuts (5), and the included Wrench (7) and Allen Key (6).
- B.** Line one end of the Retaining Cable (1) up with the hole on the bottom of the lid.
  - a.** With your nut and washers already pre-threaded on the M8 + 20mm Bolt (5), in that order, thread the bolt through the Retaining Cable (1) and into the lid.
  - b.** Secure it in place with the included Allen Key (6) and Wrench (7).
- C.** Repeat the above process with the other end of the Retaining Cable (1) and the trash can base.



**Step 5:**

- A.** To anchor your trash can onto a surface, you must mark two holes through the Mounting Brackets (2) you installed.
- B.** Drill two holes where you marked on the ground.
- C.** Line the Mounting Brackets (2) up to the holes, insert both Anchor Bolts (8), and secure them in place.
- A.** Insert your Liner (E), and your Round Diamond Steel Trash Can is now ready to be used.



# Warranty

1. Alpine (the "Company" or "Tiger Companies") warrants to the purchaser that the product will be free from defects in workmanship and materials for a period of 1 year from the date of purchase. The warranty period is not extended if we repair, replace, exchange, or provide a refund for the product (as determined in our sole discretion). We may change the availability of this limited warranty at our discretion, but any changes will not be retroactive.
2. These warranties are not assignable or transferable to any other person, including, without limitation, any subsequent owner or other transferee of the product.
3. This Warranty does not apply to: (a) damage caused by misuse, tampering, abuse, neglect, or accident; (b) damage caused by improper installation, modification, or service; (c) alteration of the serial number; or (d) use that violates the instructions furnished by the Company will void this warranty.
4. The sole responsibility of the Company shall be limited to (a) the repair or replacement (in its sole discretion) of any component of the product which fails to conform to this; (b) a refund the purchase price of such product (in its sole discretion), at no cost to the purchaser for the period of the warranty, or (c) an exchange for a similar product, comparable in function and price.
5. Contact the Company directly at 1-(800)-805-1790 to obtain service under this warranty. If it becomes applicable to send a defective product to the Company, a Return Authorization Number must first be obtained from the Company. In order to obtain service under this warranty, purchaser may be required to provide the Company with the following items (a) proof of purchase, (b) photographs and or videos (of the damage, and (c) a written testimonial describing the defect.
6. Products shipped without prior Return Authorization and Return Authorization Number may not be accepted, and the Company will not be responsible for their disposition and/or cost of return to the owner.
7. The Company will not assume any responsibility for any loss or damage incurred in shipping and or delivery.
8. The product(s) must be returned within 14 calendar days of receiving the return authorization from the Company and must include the original proof of purchase for the warranty to be honored.
9. Any implied warranties that the purchaser may have are limited to the duration of the warranties described above. There are no further warranties that extend or apply beyond the face hereof, and the Company expressly disclaims and excludes any and all warranties of merchantability or fitness for a particular purpose. Some states do not allow limitations on how long an implied warranty lasts, so the above limitation may not apply to you.
10. THE REMEDIES DESCRIBED ABOVE ARE YOUR SOLE AND EXCLUSIVE REMEDIES AND THE COMPANY'S ENTIRE LIABILITY FOR ANY BREACH OF THIS LIMITED WARRANTY. OUR LIABILITY SHALL UNDER NO CIRCUMSTANCES EXCEED THE ACTUAL AMOUNT PAID BY YOU FOR THE DEFECTIVE PRODUCT, NOR SHALL WE UNDER ANY CIRCUMSTANCES BE LIABLE FOR ANY CONSEQUENTIAL, INCIDENTAL, SPECIAL OR PUNITIVE DAMAGES OR LOSSES, WHETHER DIRECT OR INDIRECT. SOME STATES DO NOT ALLOW THE EXCLUSION OR LIMITATIONS OF INCIDENTAL OR CONSEQUENTIAL DAMAGES, SO THE LIMITATION MAY NOT APPLY TO YOU.
11. This warranty gives you specific legal rights, and you may also have additional rights which vary from state to state.





**ALP4460-SERIES**

© 2025 Alpine Industries

**[alpineindustries.com](http://alpineindustries.com)**