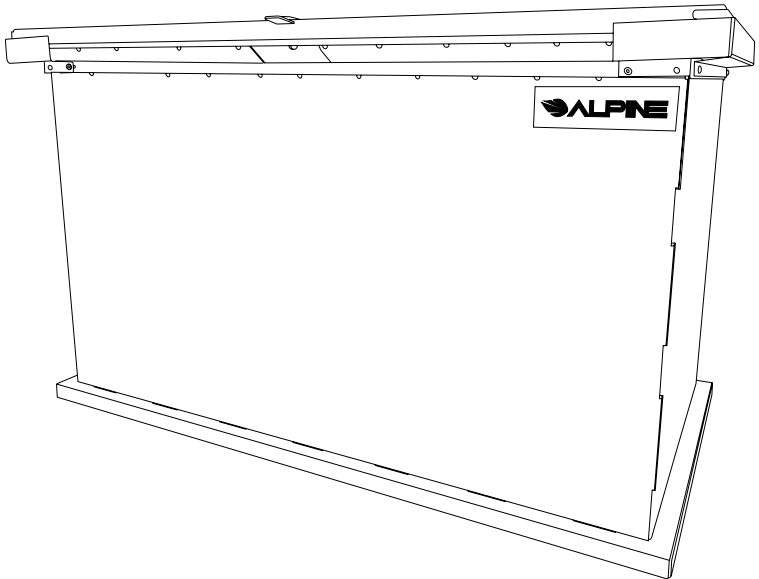




.....

197 GALLON BEAR-RESISTANT TRASH RECEPTACLE

.....



USER GUIDE

SKU: ALP4500-01-GRN



Thank you for your purchase.



**Alpine maintains a strong
practice of ongoing
development of products
and commercial research.**



Combining commitment to the customer, design innovation and skilled, dedicated workforces, they have produced a range of products that are an essential part of every commercial facility. Every product is designed to the highest standards, enabling you to get your requirements done in a reliable and cost-effective way.

Table of Contents

- 2 Specifications
- 2 Recommended
- 3 Important Safety Warnings
- 5 Parts List
- 6 Hardware List
- 7 Tools Needed (Not Included)
- 8 Assembly Instructions
- 16 Cleaning Guidelines
- 17 Warranty
- 18 Notes

Specifications

Product Dimensions: 31.89"H x 31.1"W x 54.72"L

Weight: 257.94 lbs.

Weight Capacity: 197 gallon

Recommended

Recommended Number of People Required for Assembly



3 person

Important Safety Warnings:

A. Mechanical & Pinch Hazards:

Pinch Point Warning: Keep hands and fingers clear of the lid's edge and hinge area when closing. The heavy-duty lid and hydraulic struts can close with significant force.

Strut Tension: Do not attempt to open or tamper with the hydraulic struts. They contain high-pressure gas and can cause serious injury if punctured or disassembled.

Two-Person Assembly: Because the lid is heavy, always have an someone hold the lid in the open position while installing or adjusting struts to prevent it from falling.

Operational Safety

Child Safety: Never allow children to play inside or around the bin. Ensure the lid is securely latched at all times to prevent accidental entrapment.

B. Best Practices for Detering Wildlife:

Secure: The bin is only bear-resistant when it is fully closed and latched with a lock. A bear can gain access through even a 1-inch gap. Always double-check the lock after every use.

Avoid Overfilling: Do not overfill the bin to the point where the lid cannot sit flush. If the lid does not lock completely, the bin loses its ability to be bear resistant.

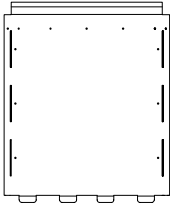
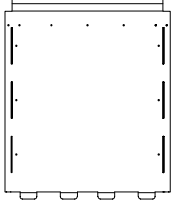
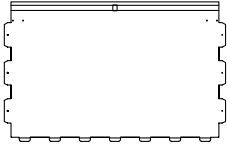
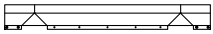

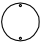
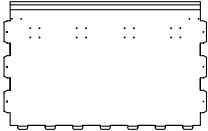
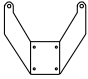

Placement: Position the bin on a level, hard surface. It should be secured to a load-bearing struture such as a concrete slab, asphalt, or stone, to prevent bears from rolling or "working" the container to find a weak point.

Important Safety Warnings:


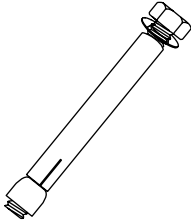


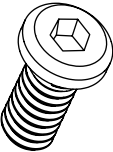
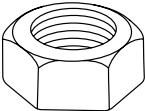
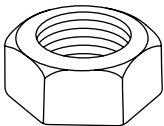
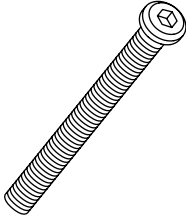
Odor Control: We recommend freezing high-odor waste (such as meat or fish) until your scheduled pickup. This prevents odors from building up in the receptacle. Only store these items in freezers or ice chests located within a secure, bear-proof structure.

WARNING: Failure to follow these instructions can result in serious personal injury, property damage, or the habituation of local wildlife. Improperly secured waste poses a significant safety threat to both humans and animals.

Parts List

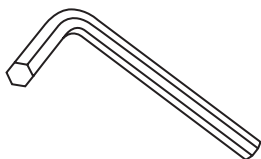
<p>A</p>  <p>Left Panel</p>	<p>B</p>  <p>Right Panel</p>	<p>C</p>  <p>Front Panel</p>
<p>D</p>  <p>Edge Protection</p>	<p>E</p>  <p>Base</p>	<p>F</p>  <p>Base Accessory</p>
<p>G</p>  <p>Back Panel</p>	<p>H</p>  <p>Back Attachment</p>	<p>I</p>  <p>Lid</p>

Hardware List

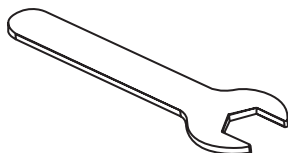
<p>1</p>  <p>Hydraulic Strut (x2)</p>	<p>2</p>  <p>Expansion Bolt (x4)</p>	<p>3</p>  <p>Lock</p>
<p>4</p>  <p>Key (x4)</p>	<p>5</p>  <p>6x15 Bolt (x54)</p>	<p>6</p>  <p>M6 Lock Nut (x46)</p>
<p>7</p>  <p>M8 Lock Nut (x8)</p>	<p>8</p>  <p>M8x100 Bolt (x4)</p>	

Tools Needed

(Included)

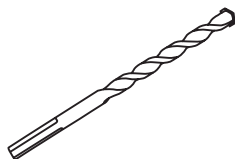


Hex Key

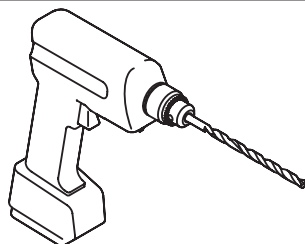


Wrench

(Not Included)



14 mm Concrete
Drill Bit

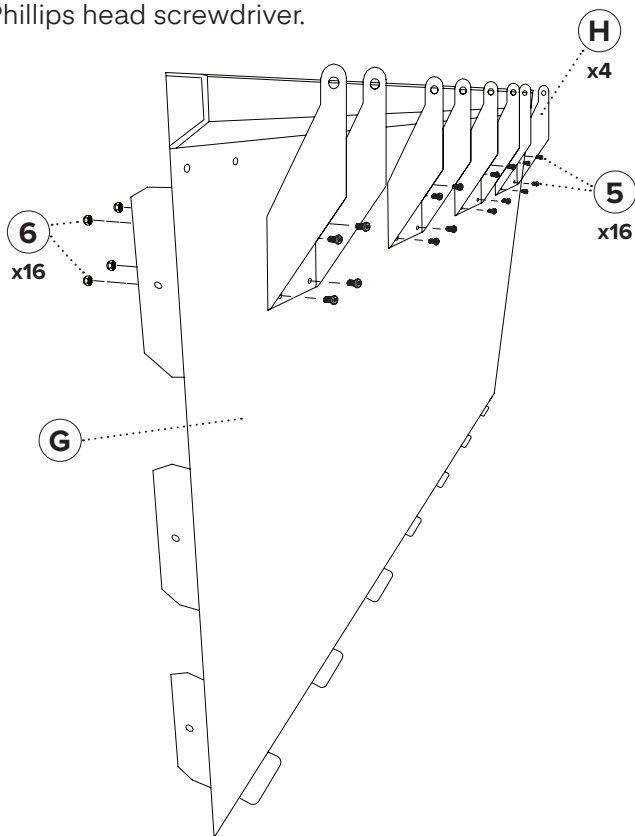


Drill

Assembly Instructions

Step 1:

- A.** Locate the Back Panel (G) and the four Back Brackets (H)
- B.** Align the Back Brackets (H) with the pre-drilled holes on the Back Panel (G).
- C.** Thread sixteen Bolt 1's (5) through the brackets and panel holes.
- D.** Secure the bolts using sixteen M6 Lock Nuts (6), a wrench, and a Phillips head screwdriver.



Step 2:

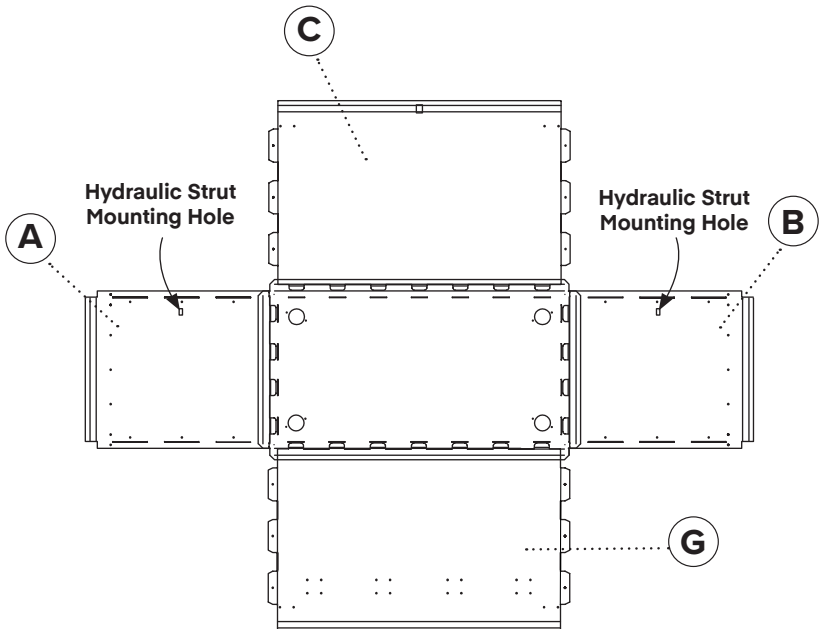
A. Locate the Left Panel (A), Right Panel (B), Front Panel (C), and Back Panel (G), and align them with the Base Plate (E).

Note: Ensure the mounting holes for the hydraulic struts are facing toward the front.

B. Insert the Left Panel (A) and Right Panel (B) into the Base Plate (E) first and stand them upright, then fit the Front Panel (C) and Back Panel (G) into the base.

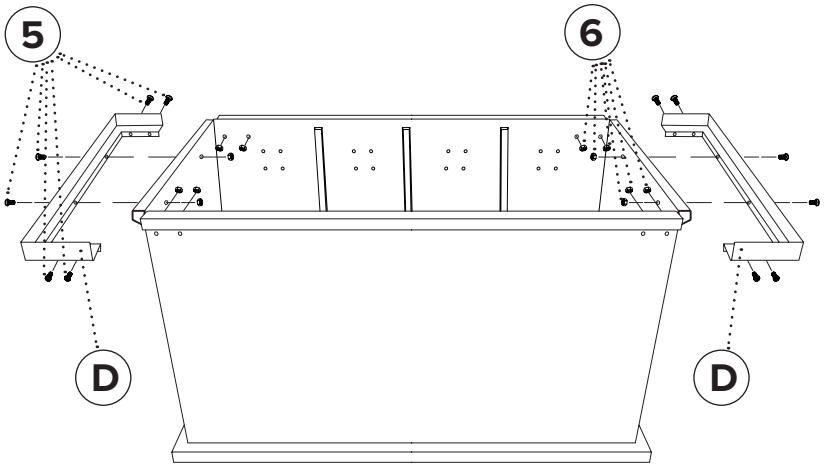
C. Secure the panels together using twelve Bolt 1's (5) and twelve M6 Lock Nuts (6), using a wrench and a Phillips head screwdriver.

D. Once all panels are aligned with the left and right sides, tighten the nuts completely.



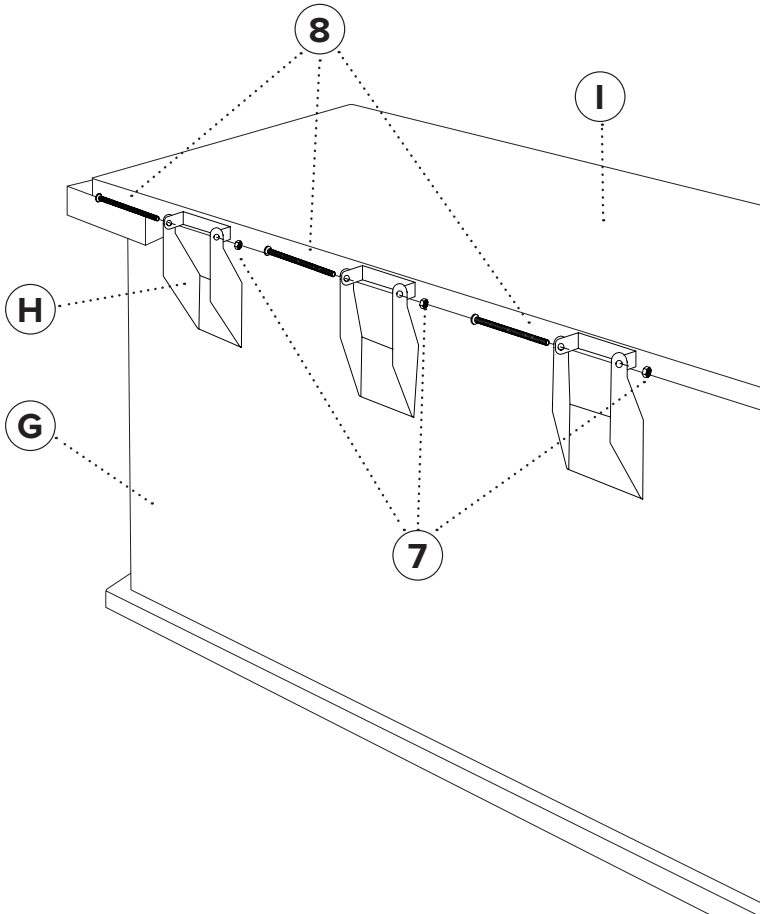
Step 3:

- A.** Locate the Edge Protectors (D) and align it with the corresponding edges of the unit.
- B.** Secure the two Edge Protectors (D) using eighteen Bolt 1's (5) and eighteen M6 Lock Nuts (6).



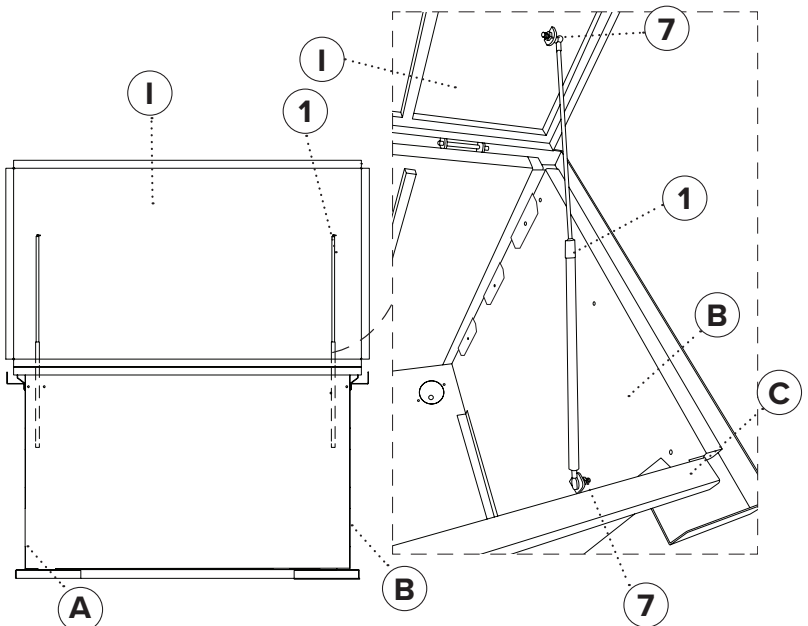
Step 4:

- A.** Position the Lid (I) and fasten it to the main assembly using four Bolt 2's (8) and four M8 Lock Nuts (6).
- B.** Tighten all hardware firmly to ensure the protectors and lid are securely attached.



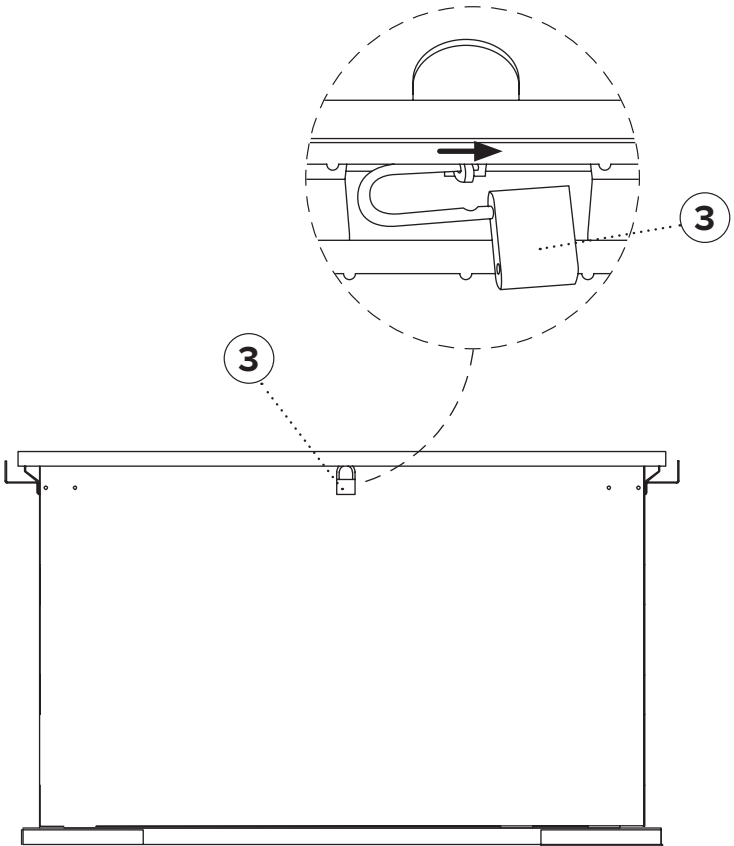
Step 5:

- A.** Install the threaded cylinder end of the Hydraulic Strut (1) through the hole on the inside tab of the Front Panel (C).
- a.** Insert the threaded end through the tab so that the bolt faces **outward**.
- B.** Secure the rod to the panel using an M8 Lock Nut (8) and a wrench.
- C.** While one person holds the Lid (I) in the open position, insert the threaded end of the Hydraulic Strut (1) through the predrilled tab, as pictured, so that the bolt faces **inward**.
- D.** Secure the connection to the lid using an M8 Lock Nut (8) and a wrench.
- E.** Repeat these steps for the second Hydraulic Strut (1), ensuring the top threaded end faces inward and the bottom threaded end faces outward.



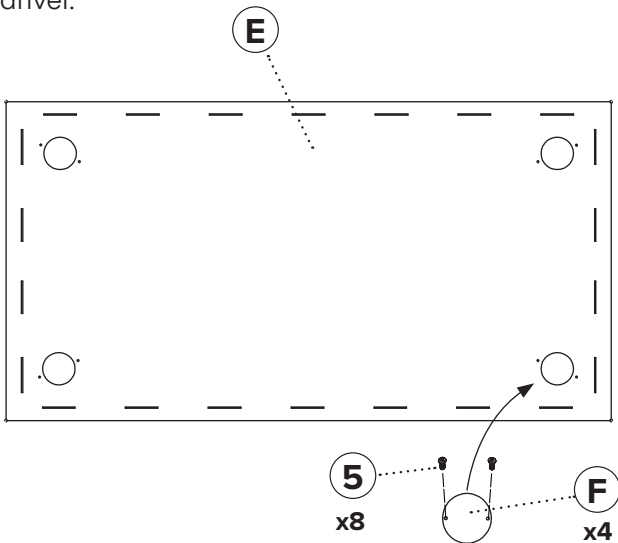
Step 6:

- A.** Slowly glide the Lid (1) down and position the Lock (3) over the clasp.
- B.** Secure the lock to ensure the trash can is properly closed and protected.



Step 7:

- A.** Select a solid, load-bearing surface (such as a concrete slab, asphalt, or stone) and place the Base Plate (E) in the desired location to mark the four mounting hole positions.
- B.** Remove the Base Plate (E) and drill the four marked holes using a 14 mm drill bit.
- C.** Insert the Expansion Tubes (2) into the holes, ensuring they are seated flush with the surface.
- D.** Align the trash can mounting brackets on the Base Plate (E) with the holes and drive the screws through the brackets and into the expansion tubes.
- E.** Tighten all screws firmly until the unit is stable and does not wobble.
- F.** Take the Base Covers (F), and affix over the holes in the Base Plate (E), using eight Bolt 1's (5) and a Philips head screwdriver.



Cleaning Guidelines

To protect the integrity of the finish and materials, please follow these cleaning guidelines:

DO NOT USE ACID-BASED CLEANERS: Avoid any cleaning products containing acids (such as vinegar, citric acid, or harsh industrial descalers). These can damage the protective coating and compromise the unit's durability.

Recommended Cleaning: Periodically wash both the interior and exterior of the receptacle using mild soap and warm water.

Rinse Thoroughly: After cleaning with mild soap, rinse with fresh water and allow the bin to dry completely with the lid open before adding new waste and closing it.

Warranty

1. Alpine (the "Company" or "Tiger Companies") warrants to the purchaser that the product will be free from defects in workmanship and materials for a period of 1 year from the date of purchase. The warranty period is not extended if we repair, replace, exchange, or provide a refund for the product (as determined in our sole discretion). We may change the availability of this limited warranty at our discretion, but any changes will not be retroactive.
2. These warranties are not assignable or transferable to any other person, including, without limitation, any subsequent owner or other transferee of the product.
3. This Warranty does not apply to: (a) damage caused by misuse, tampering, abuse, neglect, or accident; (b) damage caused by improper installation, modification, or service; (c) alteration of the serial number; or (d) use that violates the instructions furnished by the Company will void this warranty.
4. The sole responsibility of the Company shall be limited to (a) the repair or replacement (in its sole discretion) of any component of the product which fails to conform to this; (b) a refund the purchase price of such product (in its sole discretion), at no cost to the purchaser for the period of the warranty, or (c) an exchange for a similar product, comparable in function and price.
5. Contact the Company directly at 1-(800)-805-1790 to obtain service under this warranty. If it becomes applicable to send a defective product to the Company, a Return Authorization Number must first be obtained from the Company. In order to obtain service under this warranty, purchaser may be required to provide the Company with the following items (a) proof of purchase, (b) photographs and or videos (of the damage, and (c) a written testimonial describing the defect.
6. Products shipped without prior Return Authorization and Return Authorization Number may not be accepted, and the Company will not be responsible for their disposition and/or cost of return to the owner.
7. The Company will not assume any responsibility for any loss or damage incurred in shipping and or delivery.
8. The product(s) must be returned within 14 calendar days of receiving the return authorization from the Company and must include the original proof of purchase for the warranty to be honored.
9. Any implied warranties that the purchaser may have are limited to the duration of the warranties described above. There are no further warranties that extend or apply beyond the face hereof, and the Company expressly disclaims and excludes any and all warranties of merchantability or fitness for a particular purpose. Some states do not allow limitations on how long an implied warranty lasts, so the above limitation may not apply to you.
10. THE REMEDIES DESCRIBED ABOVE ARE YOUR SOLE AND EXCLUSIVE REMEDIES AND THE COMPANY'S ENTIRE LIABILITY FOR ANY BREACH OF THIS LIMITED WARRANTY. OUR LIABILITY SHALL UNDER NO CIRCUMSTANCES EXCEED THE ACTUAL AMOUNT PAID BY YOU FOR THE DEFECTIVE PRODUCT, NOR SHALL WE UNDER ANY CIRCUMSTANCES BE LIABLE FOR ANY CONSEQUENTIAL, INCIDENTAL, SPECIAL OR PUNITIVE DAMAGES OR LOSSES, WHETHER DIRECT OR INDIRECT. SOME STATES DO NOT ALLOW THE EXCLUSION OR LIMITATIONS OF INCIDENTAL OR CONSEQUENTIAL DAMAGES, SO THE LIMITATION MAY NOT APPLY TO YOU.
11. This warranty gives you specific legal rights, and you may also have additional rights which vary from state to state.



ALP4500-01-GRN

© 2026 Alpine Industries

alpineindustries.com