



Brewer

ELEMENT TREATMENT TABLE

# BrewerElement

TREATMENT TABLE Functional. Stable. Safe.

## Durability

- 3-year warranty

## Safety

- 500 lb. weight capacity\*
- Seamless, easy-to-clean upholstery

## Function

- All steel frame construction with chip resistant powder coat finish
- Contoured, seamless upholstery for easy cleaning
- Standard concealed paper roll holder holds 18" or 21" table paper
- Optional drawer models can be made left or right handed with space to accommodate six paper rolls
- Two-piece top design ensures easy assembly, single person delivery, and freight savings
- Adjustable back models have six positions

## Patient Comfort

- 2" thick foam cushion for patient comfort

## Aesthetics

- 18 standard upholstery color options
- Custom colors available

## Table Dimensions with upholstery

- Height: 31"
- Length: 74"
- Width: 28"

## Optional Drawer Dimensions

Length: 19"  
Width: 20"

## Optional Shelf Dimensions

Length: 65.75"  
Width: 18"

### accessories

- #10196 table paper straps (qty 2)
- #100407 front drawer separators (Drawer models only)





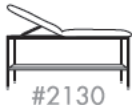


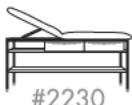



#2240 shown

## The Brewer Element Treatment Table

offers fundamental features every practice needs. A robust steel frame construction ensures maximum stability and safety for patients while its contemporary design adds style to any healthcare facility. Ideal for basic examinations, pediatrics, orthopedics, physical therapy, industrial areas, and school nurse stations.

## MODELS

	flat top	flat top adjustable	pillow top adjustable
basic frame	 #2010	 #2030	 #2040
frame w/shelf	 #2110	 #2130	 #2140
frame w/shelf & drawers	 #2210	 #2230	 #2240

\*under normal use

**All Brewer Element Treatment Tables come with a 3-year warranty.**

The Brewer Company reserves the right to improve or modify the design of its products consistent with new methods and techniques.

**Call your local Brewer sales representative to learn about our complete product line.**

# Brewer

The Brewer Company  
13901 Main Street, Menomonee Falls, WI 53051  
1.888.Brewer.1 www.brewercompany.com

02.2012  
00021