

OPTIONAL LAMINATED/METAL TOP INSTALLATION

1.) Attach 2 mounting brackets to the inner sides of the file cart as shown using (4) 1/4-20 pan head phillips screws & flange nuts per bracket.

Laminate Top

2.) Place top on top of the file cart laminated side up. Align spot holes on bottom of laminated top with punch holes in mounting brackets. Secure using #10 wood screws.

Metal Top

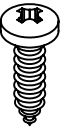
2.) Place top on top of the file cart. Align the holes on bottom of top with holes in mounting brackets. Secure using #8 x 1/2" sheet metal screws.

Included hardware:

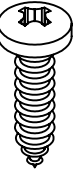
1/4-20
FLANGE NUT



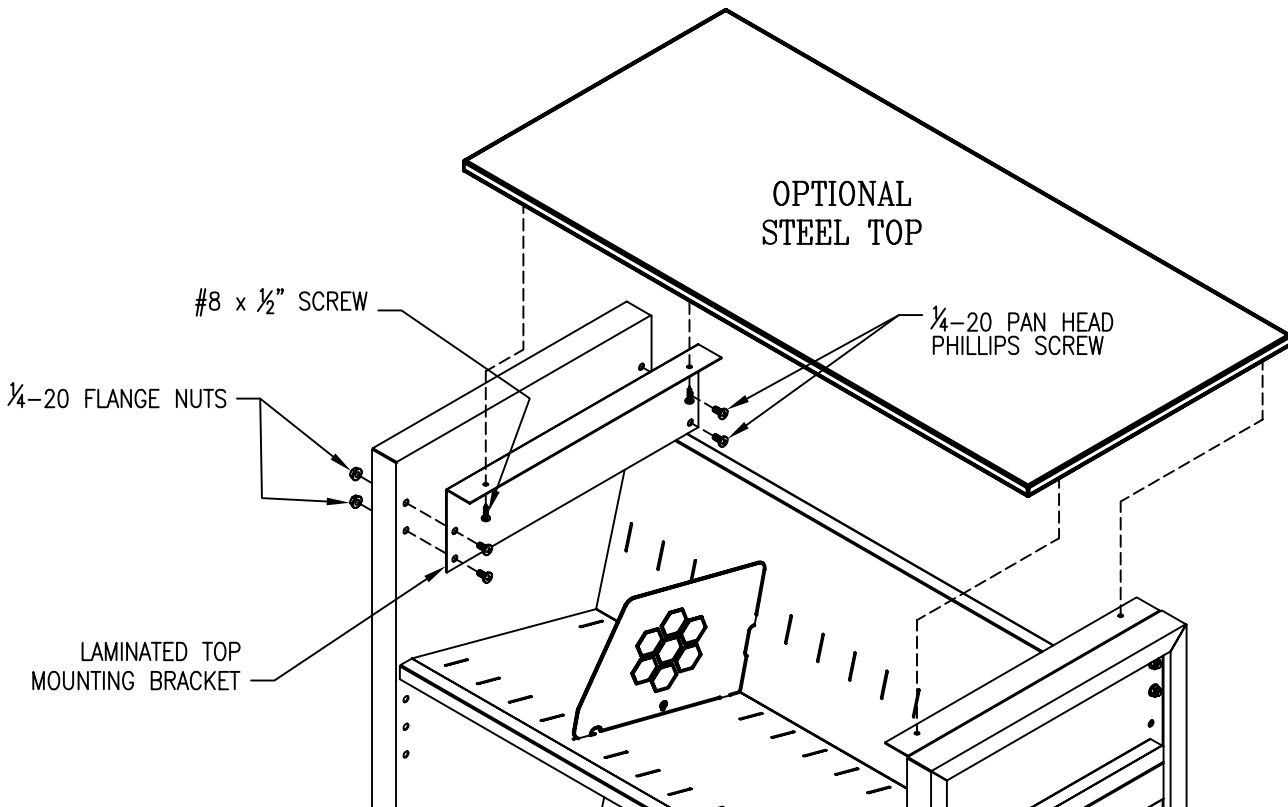
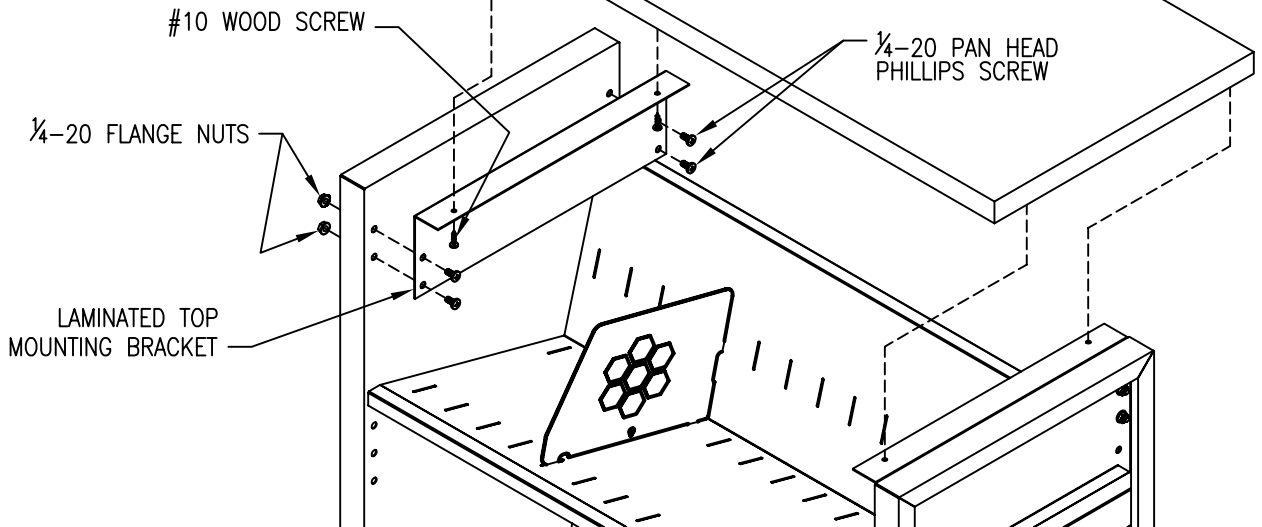
#8 x 1/2" SHEET
METAL SCREW



#10 x 3/4" PARTICLE
BOARD SCREW



1/4-20
PAN HEAD PHILLIPS
SCREW



For assembly assistance, contact Customer Service at:
1-866-217-0330 (Mon.-Fri. 8:00a.m.-5:00p.m. E.S.T.)