

# BASIC FILE CART

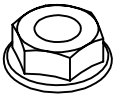
TOOLS NEEDED FOR ASSEMBLY: PHILLIPS SCREWDRIVER, WRENCH(INCLUDED)  
 HARDWARE INCLUDED: 1/4-20 PAN HEAD PHILLIPS SCREWS & 1/4-20 FLANGE NUTS

1.) Assemble angled shelves (if applicable). Attach the angled shelf back to the angled shelf bottom using (2) 1/4-20 flange nuts and pan head Phillips screws. Repeat step for any additional angled shelves.

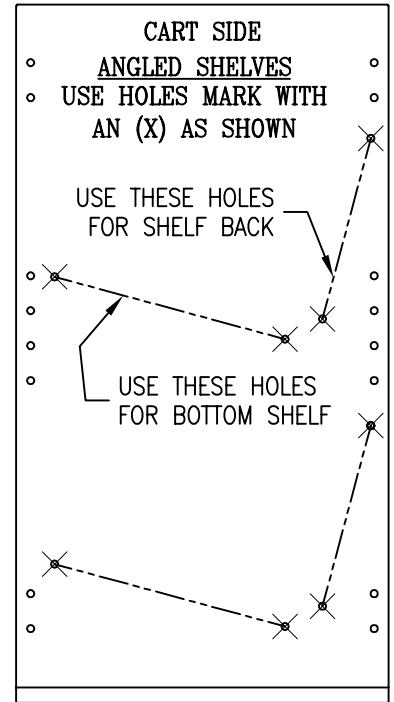
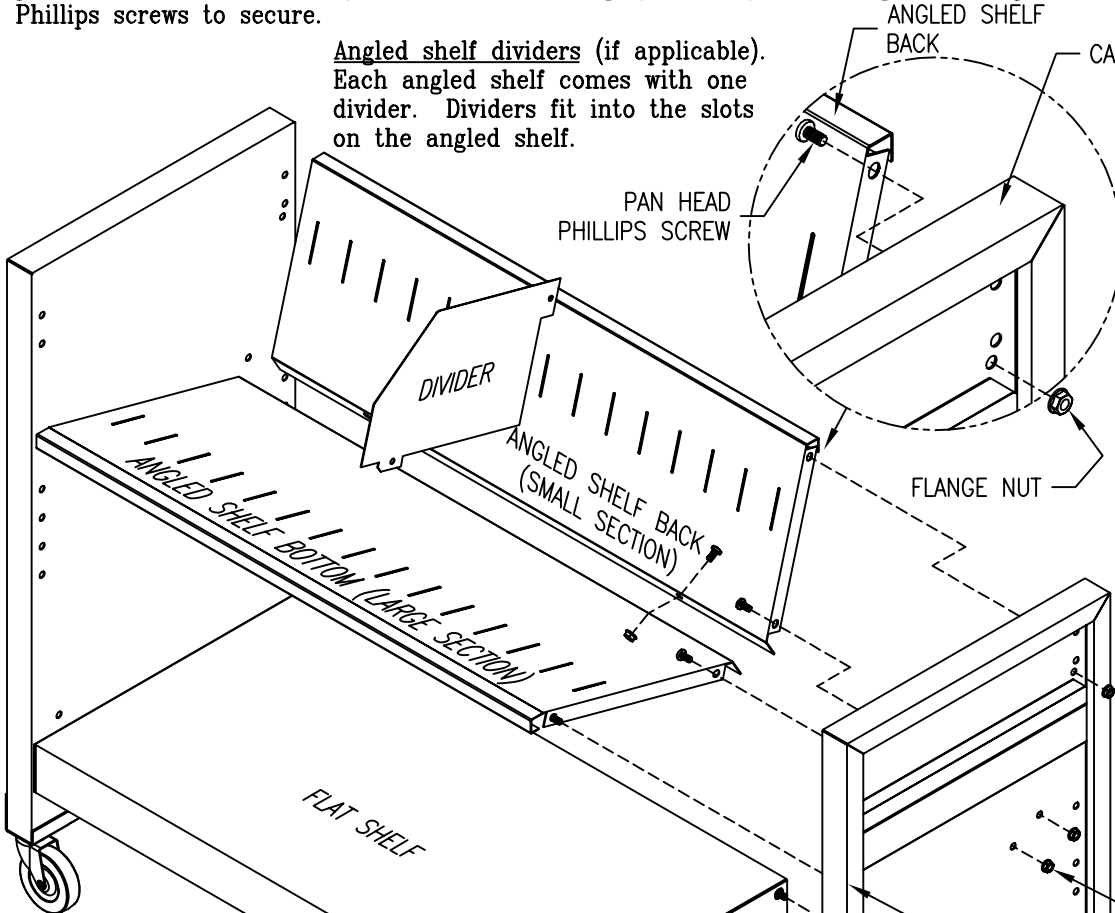
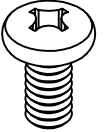
2.) Attach angled shelves to cart sides (if applicable). Angled shelves use the (4) hole pattern on the cart sides (see illustration on right). Use 1/4-20 flange nuts & pan head Phillips screws to secure.

Angled shelf dividers (if applicable). Each angled shelf comes with one divider. Dividers fit into the slots on the angled shelf.

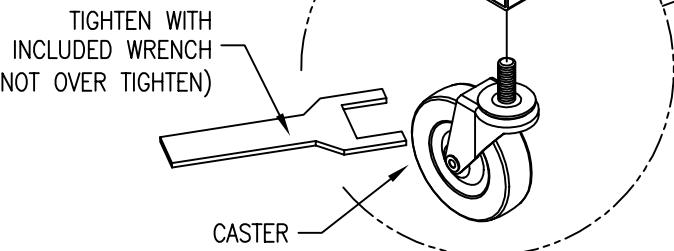
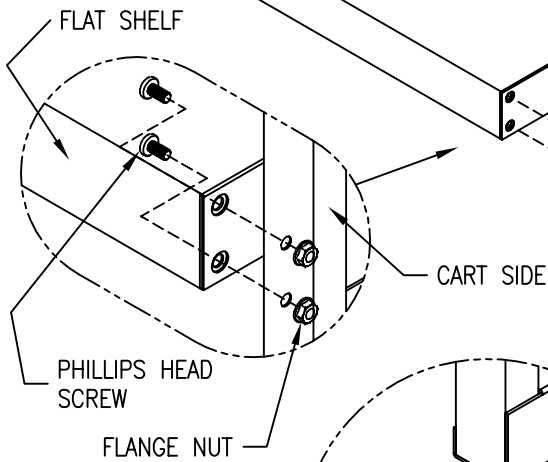
1/4-20  
FLANGE NUT



1/4-20  
PAN HEAD  
PHILLIPS SCREW



**NOTE:** Remaining holes shown are used for flat shelves only



3.) Attach flat shelves (if applicable). Flat shelves can be attach with sides up or sides down (whichever is preferred). Insert 1/4-20 pan head Phillips screws into the holes in the flat shelf and then into the holes on the cart sides. Secure with flange nuts. Tighten screws only after all screws needed have been inserted. Flat shelves require (8) screws and nuts each. Cart sides can accept up to 3 flat shelves.

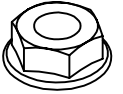
4.) After cart sides and shelves are assembled, turn unit upside down and screw (4) casters into the threaded inserts on the bottom of the cart. Use an adjustable wrench or pliers to tighten.

# MINI FILE CART

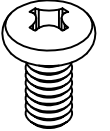
INST0054 REVO 3/13/2001 WJM

TOOLS NEEDED FOR ASSEMBLY: PHILLIPS SCREWDRIVER, WRENCH(INCLUDED)  
HARDWARE INCLUDED: 1/4-20 PAN HEAD PHILLIPS SCREWS & 1/4-20 FLANGE NUTS

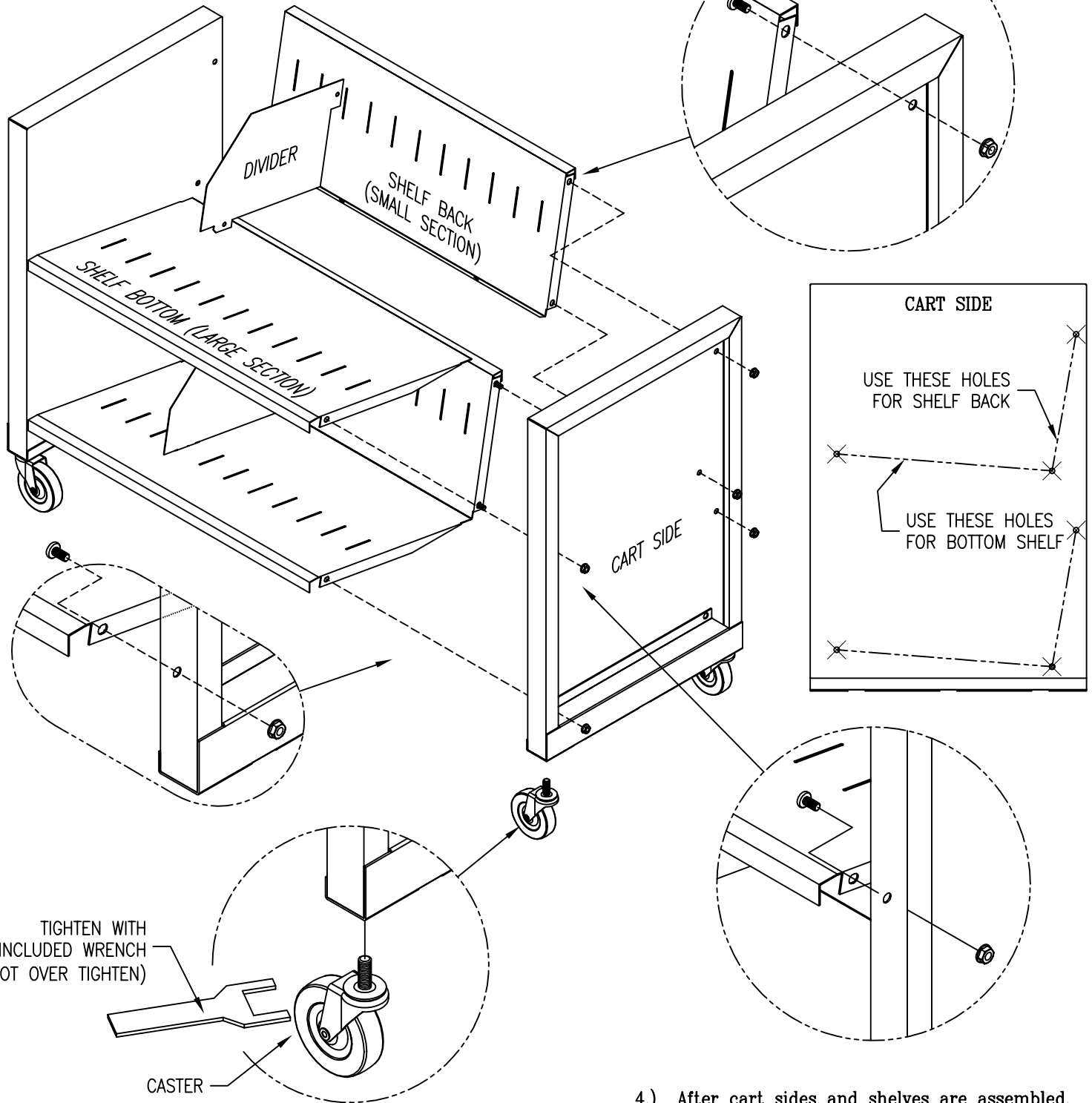
1/4-20  
FLANGE NUT



1/4-20  
PAN HEAD  
PHILLIPS SCREW



- 1.) Assemble shelves. Attach the shelf back to the shelf bottom using (2) 1/4-20 flange nuts and pan head Phillips screws. Repeat step for second shelf.
- 2.) Attach shelves to cart sides. Shelves use the (3) hole pattern on the cart sides (see illustration on right). Use 1/4-20 flange nuts & pan head Phillips screws to secure.



- 4.) After cart sides and shelves are assembled, turn unit upside down and screw (4) casters into the threaded inserts on the bottom of the cart. Use supplied wrench to tighten.