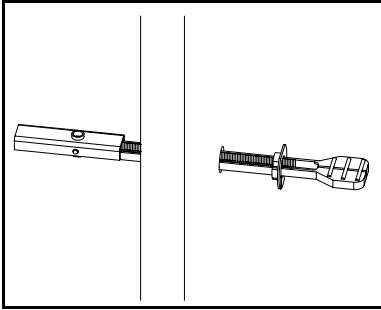


## Hanging Instructions For WallWrite

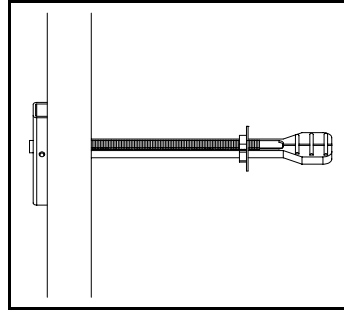
**Step 1.** Position the WallWrite on wall or door in desired location and using the pre-punched holes as a template mark location of mounting holes (Keyhole slots). Make sure WallWrite is level.

**Step 2.** If hanging to wall studs. Drill 1/8" holes into the two marks through the wallboard and into the supporting studs. Insert two #8 x 1" screws into the two holes. Do not tighten all the way. Mount the WallWrite over these two screws and tighten.

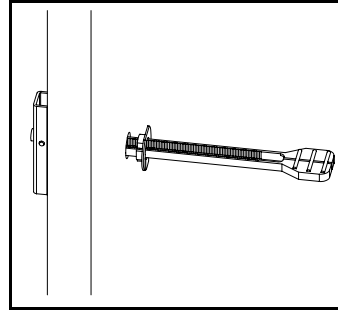
**Step 2a.** If mounting to drywall or plaster wall use the KapToggle™ anchors supplied in hardware kit. Drill two 1/2" holes in wall where previously marked. Use below instructions to properly install anchors.



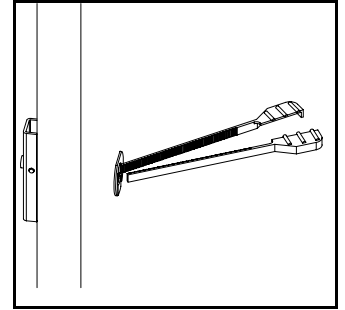
Push KapToggle™ thru drilled



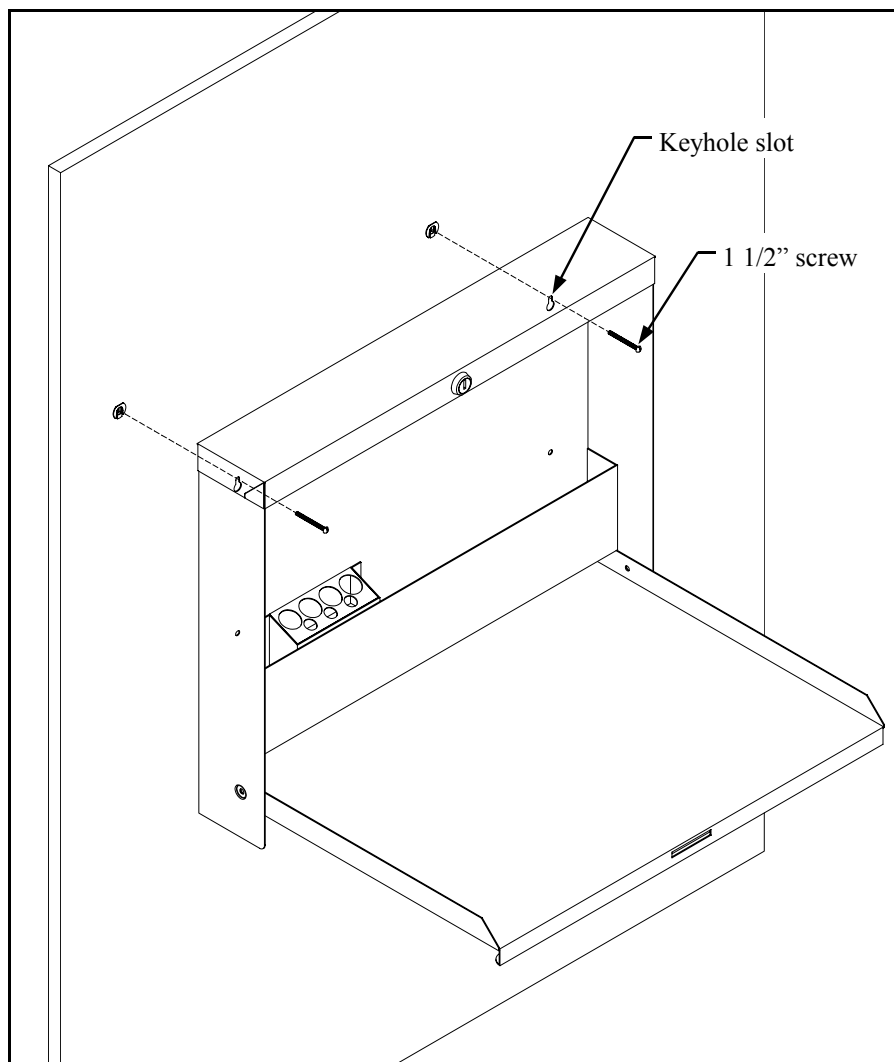
Pull KapToggle™ snugly against inside wall.



Slide washer evenly along straps until inner rim of washer seats completely inside drilled hole.

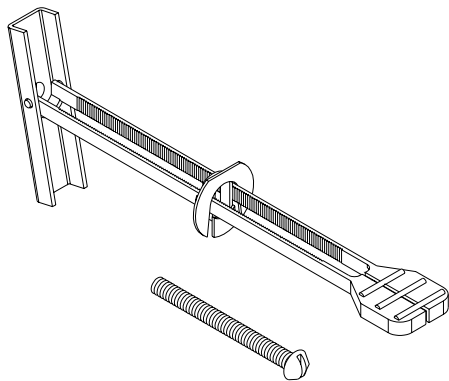
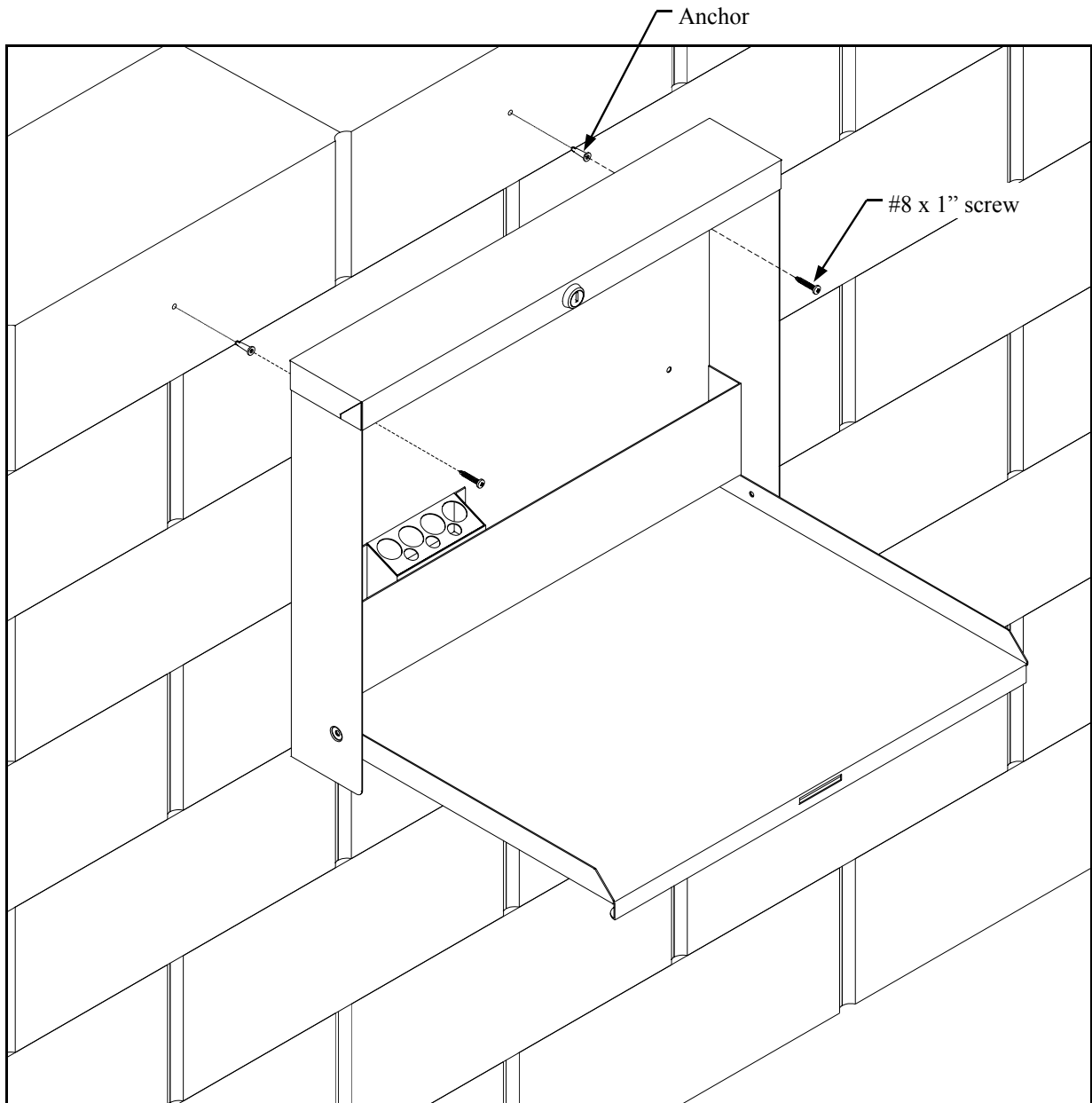


Snap off plastic straps flush with washer.



Insert 1 1/2" screw into KapToggle™ anchor. Do not tighten all the way. Mount WallWrite over these two screws and tighten.

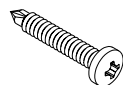
**Step 2b.** If mounting to a concrete block wall use the plastic wall anchors. Drill two 3/16" holes. Insert anchors into the holes. Screw two #8 x 1" anchor screws into the two anchors. Do not tighten all the way. Mount the WallWrite over these two screws and tighten.



**Use On:** Drywall or plaster wall



**Use On:** Concrete block wall



**Use On:** Wall studs or wood door

