

6550

PORTABLE WHEELCHAIR SCALES



*Detecto Model 6550
Portable Wheelchair
Scale with Column*

Portable Wheelchair Scales with Time-Saving and Patient Comfort Benefits

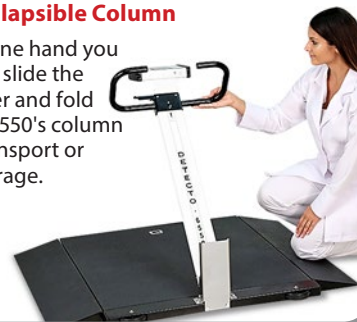
- 1,000 lb / 450 kg capacity with optional Wi-Fi
- Portable scale with vertical fold-up storage
- Two-way built-in ramps for accessibility from both sides
- Large 32 in x 36 in / 81 cm x 91 cm platform
- Ramps rest on the floor for easier patient access

- Clinical-grade accuracy to 0.2 lb / 0.1 kg
- Quick and easy mobility for transport or storage
- Up to 99 tares (optional) to store wheelchair weights for efficient patient weighing
- Hold/Release key to hold weight after leaving the scale for better patient care
- Interface with a PC or printer via serial, USB or optional Wi-Fi or wired Ethernet for EMR
- Patient ID barcode scanning sends 14-digit patient ID to indicator for EMR/EHR records



Easily-Collapsible Column

With only one hand you can quickly slide the release lever and fold down the 6550's column for easy transport or vertical storage.



Low-Profile, Thin Platform

The platform is only 2.2 inches/56 mm high for easy patient accessibility and comfort while weighing either standing or in a wheelchair.



Single-Pass Weighing Saves Time

Enjoy the time-saving benefits of this scale, by using the convenient pushbutton or keypad tare to remove the wheelchair weight.



WelchAllyn
OPTIONAL

StableSENSE
DIGITAL FILTERING

**EMR
EHR
ready**

WiFi
OPTIONAL

**REQUIRES
ONLY HALF
THE EFFORT
TO PULL WHEELCHAIR
PATIENTS
ONTO THE SCALE THAN
COMPETITOR'S MODELS**

The 6550's dual-access ramps go all the way to the ground and allow maximum convenience for loading and unloading patients from either side of the scale. These unique ramps require only half the effort for a healthcare professional to roll a wheelchair-bound patient onto the scale than competitor's models.

 **DETECTO**
www.Detecto.com

4-WAY EASY TRANSPORT

The 6550 scale's column folds down and latches securely for easy transport in four directions made possible by the dual-direction wheels. DETECTO's 6550 vertical fold-up feature also equals minimal floor space for storage in an upright position when not in use.



IDEAL FOR USE IN MULTIPLE AREAS



OPTIMUM PATIENT WEIGHING "ON-THE-MOVE"

One of the most popular medical scales in the industry, this ingeniously-designed scale offers a wide range of versatility. It can be used with wheelchairs, straight-legged chairs or as a stand-on scale. The 6550's 32 in x 36 in / 81 cm x 91 cm platform (flat portion) features 8-inch-long (20 cm) sloped ramps allowing access from either side. This lightweight digital fold-up scale is made for heavyweight tasks in patient care.



EFFICIENT MEASUREMENT:

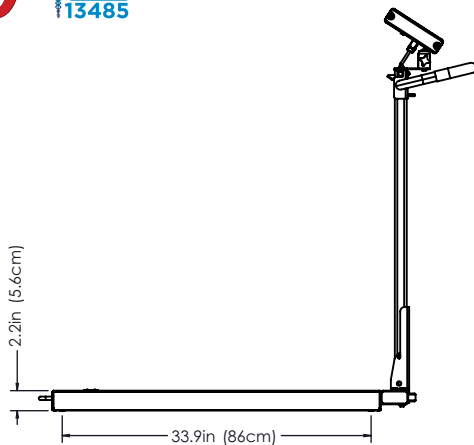
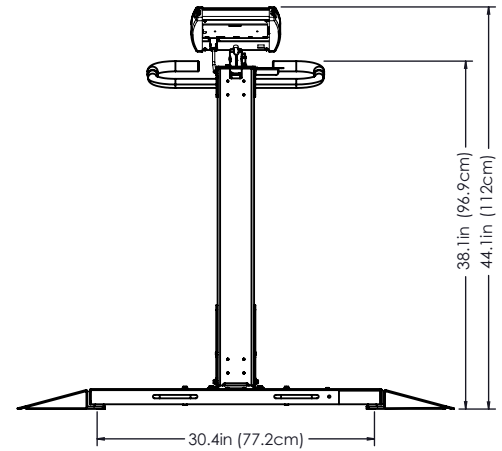
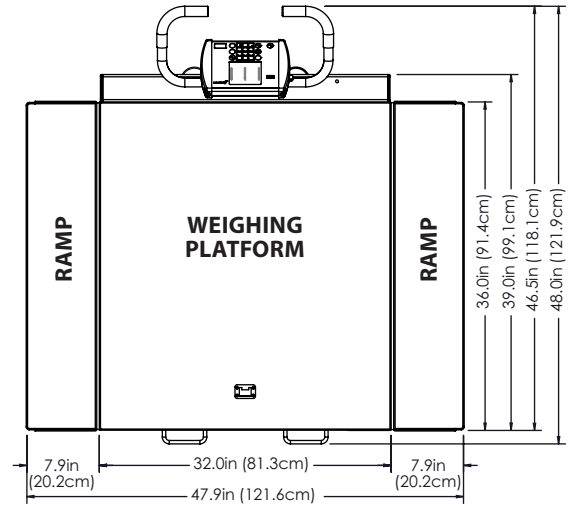
The 6550's MedVue® weight indicator is the clinical industry's most advanced, featuring EMR/EHR-ready serial, USB, and optional Wi-Fi connectivity, BMI calculation, yellow "quick keys" for basic weighing, and a multiline LCD display. The scale is powered by 6 C batteries (not included) or optional AC adapter.



DETECTO's 6550 scale features pushbutton and keypad tare for removing the wheelchair weight to display the actual patient weight.

6550

PORTABLE WHEELCHAIR SCALES



| | |
|------------------------------|---|
| 6550 Capacity | 1,000 lb x 0.2 lb / 450 kg x 0.1 kg |
| 6550KGEU Capacity | 300 kg x 0.1 kg (OIML EC Class III) |
| Platform Size | 32 in x 36 in / 81 cm x 91 cm |
| Display | Weight: 5-digit, 7-segment, 7/8 inch (22.2 mm) high LCD Height: 4-digit, 7-segment, 1/2 inch (12.7 mm) high LCD |
| Keyboard | Membrane type with 19 keys |
| Connectivity Ports | RS232 serial and USB (standard), wired and Wi-Fi Ethernet (optional) |
| Display Dimensions | 6.8 inch H x 7.6 inch W x 1.8 inch D (171.4 mm W x 193.8 mm H x 44.4 mm D) |
| Power | 6 C cell Alkaline, Ni-Cad or NiMH batteries (not included) OR an optional 12 VDC 1.25A wall plug-in AC power adapter (Detecto part number MV1PWR) |
| Resolution | 5,000 divisions, maximum |
| Operating Temperature | 14° to 104° F (-10° to +40° C) |
| UPC Code | 809161139402 |
| Net Weight | 100 lb / 45 kg |
| Shipping Weight | 120 lb / 54 kg |

DETECTO reserves the right to improve, enhance,
or modify features and specifications without prior notice.

DETECTO
www.Detecto.com

203 E. Daugherty, Webb City, MO 64870 USA
Ph: 417-673-4631 or 1-800-641-2008 Fax: 417-673-2153

Mobile: m.detecto.com



Scan this QR
code on your
smartphone
for more
product info.

SOLD BY: