

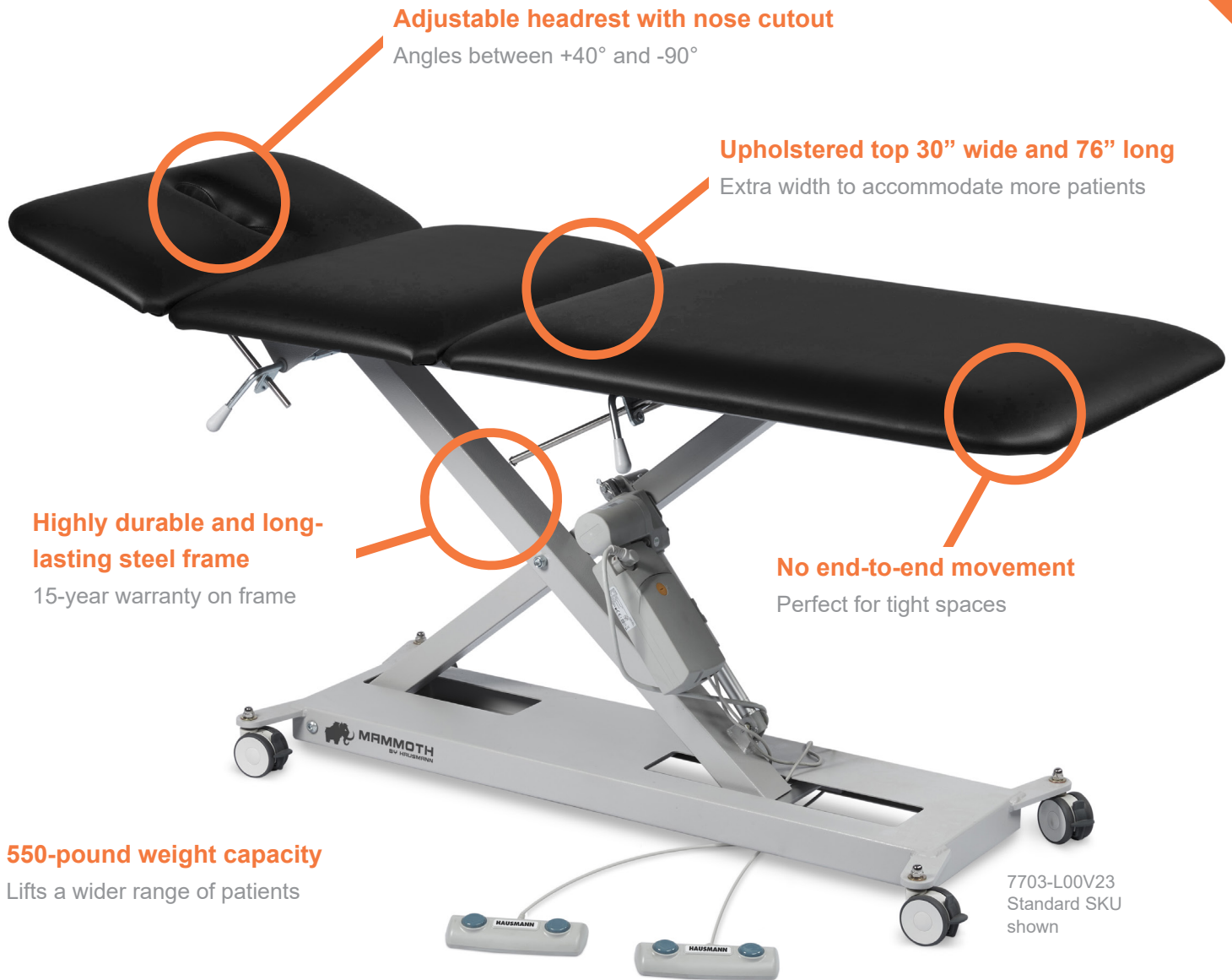
MAMMOTH 3

3-Section Hi-Lo Treatment Table - 7703



MAMMOTH
BY HAUSMANN

Introducing the new Hausmann Mammoth 3 treatment table. It has a durable steel frame and features high-quality Pro-Form vinyl. It is proudly assembled and upholstered in the USA. A new addition to our table portfolio with the same quality and long-lasting durability you expect from Hausmann.



= WIDTH & WEIGHT & WARRANTY



METAL COLOR

Cool Gray

VINYL COLORS

V19-Navy Blue

V20-Dove Gray

V21-Forest Green

V22-Deep Wine

V23-Black

V24-American Beauty

V25-Claret

V26-Royal Blue

V27-Purple

V28-Regimental Blue

V29-Bright Blue

V30-Brown

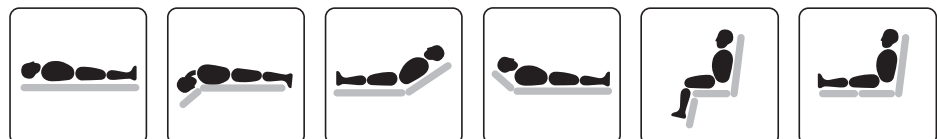
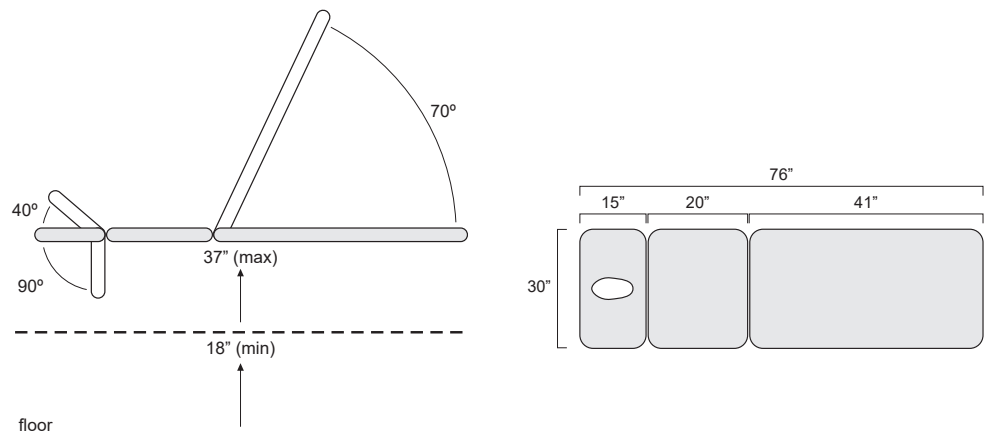
V31-Orange

V32-Pencil Gray

Key Features & Options

- Width: 30-inch wide upholstered top
- Weight: 550-pound weight capacity
- Warranty: 3-years on the switches and upholstery, 5-years on the motor and 15-years on the steel frame providing long-term reliability
- Two (2) foot switches for placement around the table
- Tables take up less operational space with no end-to-end movement
- Heavy duty independently lockable casters
- 2.5" tabletop featuring rounded corners and firm foam padding
- Durable heavyweight Pro-Form vinyl upholstery - withstands heavy cleaning and disinfecting (see manual for more information)
- Convenient and easy set-up
- Available in both Standard and Custom SKU configurations

Specifications



SKU	W	L	METAL	VINYL
7703-L00V23	30"	76"	Cool Gray	Black
7703-L00V20	30"	76"	Cool Gray	Dove Gray
7703-L00V19	30"	76"	Cool Gray	Navy Blue
7703*	30"	76"	Cool Gray	Custom