



7 Gallon Sharps Container

Product Code: 0370-1500

General Description

- Designed for Multi purpose use.
- Flip Lid maximizes usable container volume for larger sharps
- Shatter & Puncture-resistant
- Locks for final disposal

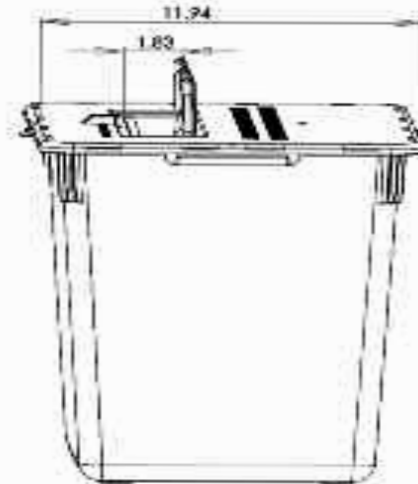
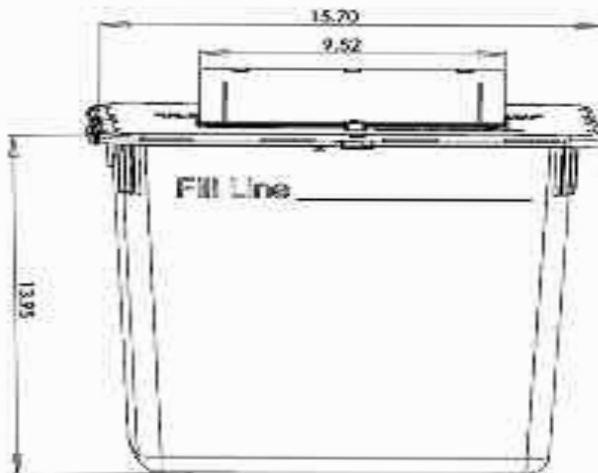
Material:

High Impact Polypropylene
Country of Origin: China

FDA Approved

Packing Details

Case:	10 each/case
Packaged:	Bulk, Nested
Case Dimensions:	25" x 16.50" x 27"
Case Weight:	27.2
Cube Dimension:	6.45
Cases per Skid:	12



Manufactured by Oak Ridge Products, LLC
FDA Manufacturing Facility Registration
#1419823 & 3006060667

Product dimensions listed are in millimeters

OAK RIDGE PRODUCTS, LLC.
ALL RIGHTS RESERVED

WWW.OAKRIDGEPRODUCTS.COM

US:888-650-7444 INT'L:001-815-363-4700
REV. 1/10/14